



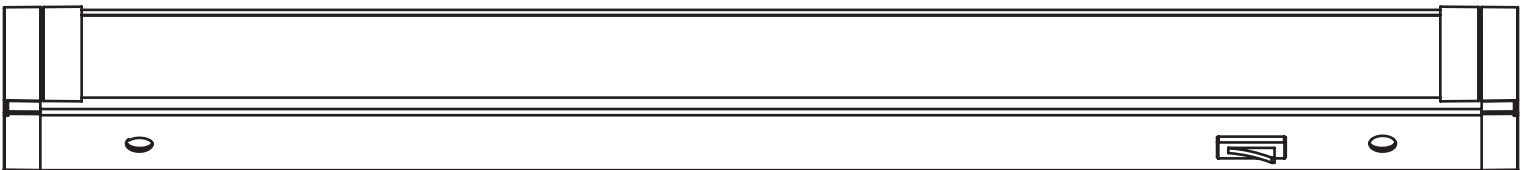
**SOLID STATE[®]
LIGHTING
INC.**

Part # UC-12-5-930-SV-D
UC-18-9-930-SV-D
UC-24-12-930-SV-D

Model # 53502111
53503111
53504111

USE AND CARE GUIDE

BEAM ADJUSTABLE LED UNDER CABINET LIGHT WITH MAGNA MOUNT™ INSTALLATION OPTION



Questions, problems, missing parts?
Call ETi SSL Customer Service
9 a.m. – 5 p.m., EST, Monday - Friday
1-855-ETI-SSL (1-855-384-7754)



WWW.ETISSL.COM



THANK YOU


We appreciate the trust and confidence you have placed in ETi through the purchase of this LED light. We strive to continually create quality products designed to enhance your home. Visit us online to see our full line of products available for your home improvement needs.

Thank you for choosing ETi!


Table of Contents


Table of Contents	2	Installation	4
Safety Information	2	Mounting Options.....	4
Warranty	2	Power Supply Options	5
Pre-Installation	3	Linking Feature.....	7
Planning Installation	3	Beam Adjustment Feature	7
Tools Required	3	Care and Cleaning	8
Package Contents	3	Troubleshooting	8
Hardware Included.....	3	Light Distribution	8

Safety Information

 **CAUTION:** To reduce the risk of fire, electric shock, or injury to persons:

- Use only insulated staples or plastic ties to secure cords;
- Route and secure cords so that they will not be pinched or damaged when the cabinet is pushed to the wall;
- Do not use for recessed installation in ceilings or soffits.

 **CAUTION:** The National Electrical Code (NEC) does not permit cords to be concealed where damage to insulation may go unnoticed. To prevent fire danger, do not run cord behind walls, ceilings, soffits, or cabinets where it may be inaccessible for examination. Cords should be visually examined periodically and immediately replaced when any damage is noted.

 **CAUTION:** Maximum number of units to be interconnected:


- 53504111 (24 in. under cabinet light): maximum 25 units
- 53503111 (18 in. under cabinet light): maximum 30 units
- 53502111 (12 in. under cabinet light): maximum 40 units

Maximum distance between connected units is 14.5 in.

 **CAUTION:** To prevent electric shock, match wide blade of the plug to the wide slot and fully insert into the electrical outlet.

NOTICE: This equipment has been tested and found to comply with the limits for a Class B digital device, pursuant to Part 15 of the FCC Rules. These limits are designed to provide reasonable protection against harmful interference in a residential installation. This equipment generates, uses and can radiate radio frequency energy and, if not installed and used in accordance with the instructions, may cause harmful interference to radio communications. However, there is no guarantee that interference will not occur in a particular installation. If this equipment does cause harmful interference to radio or television reception, which can be determined by turning the equipment off and on, the user is encouraged to try to correct the interference by one or more of the following measures:

- Reorient or relocate the receiving antenna.
- Increase the separation between the equipment and the receiver.
- Connect the equipment into an outlet on a circuit different from that to which the receiver is connected.
- Consult the dealer or an experienced radio/TV technician for help.

 **CAUTION:** Changes or modifications not expressly approved by the party responsible for compliance could void the user's authority to operate the equipment.

Warranty

This product is warranted for a period of 5 years from the date of original purchase against defects in materials and workmanship. If this product should fail to operate due to defects in material or workmanship within 60 months of purchase, see www.etissl.com for details. This product will be repaired or replaced, at ETi's option. This warranty is expressly limited to repair or replacement of product, and liability for direct, incidental, or consequential damages is hereby expressly excluded. Some states do not allow exclusions of direct, incidental or consequential damages, so the above limitation of exclusion may not apply to you. This warranty gives the consumer specific legal rights, which vary from state to state. **WARRANTY IS VOID IF PRODUCT IS NOT USED FOR THE PURPOSE WHICH THIS PRODUCT IS MANUFACTURED.**


Pre-Installation

PRODUCT DESCRIPTION AND CHARACTERISTICS

An LED under cabinet light fixture can be directly mounted to the underside of a cabinet or wall and requires little space. It is energy-saving, environmentally friendly, and used for emitting soft and even distribution of light.

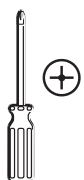
PLANNING INSTALLATION

Before beginning assembly, installation or operation of product, make sure all parts are present. Compare parts with the package contents list. If any part is missing or damaged, do not attempt to assemble, install or operate the product. Contact customer service for replacement parts.

 **NOTE:** Keep your receipt and these instructions for proof of purchase.

If you are unfamiliar with electrical installations, we recommend you contact a qualified electrician to do the installation. Identify the desired location for the LED fixture to make sure the length of the fixture fits the cabinet.

TOOLS REQUIRED



Phillips screwdriver



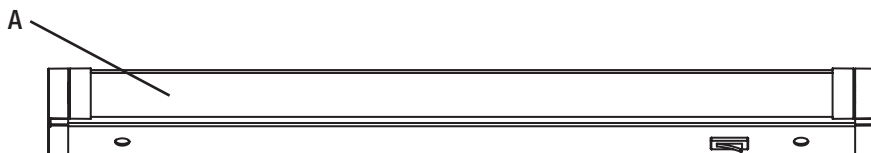
Measuring Tape



Power Drill with 1/8 in. drill bit

PACKAGE CONTENTS

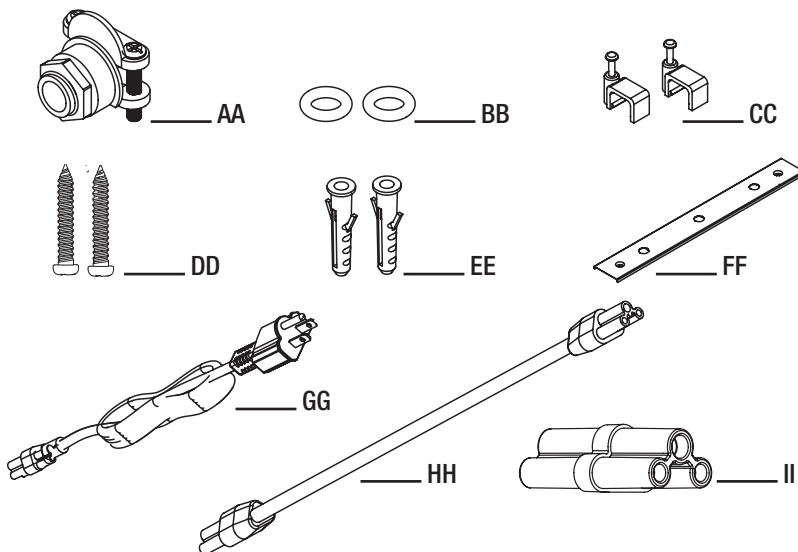
Part	Description	Quantity
A	Under Cabinet Light Fixture	1



HARDWARE INCLUDED

 **NOTE:** Hardware not shown to actual size.

Part	Description	Quantity
AA	Strain Relief	1
BB	O-Ring	2
CC	Wire Clip	2
DD	Mounting Screw	2
EE	Drywall Anchor	2
FF	Mounting Plate	1
GG	5 ft. Power Cord	1
HH	14.5 in. Linking Cable	1
II	End-to-End Connector	1



Installation



WARNING: RISK OF ELECTRIC SHOCK. Ensure the electricity to the wires you are working on is shut off. Either remove the fuse or turn off the circuit breaker before removing the existing light fixture or installing the new one.

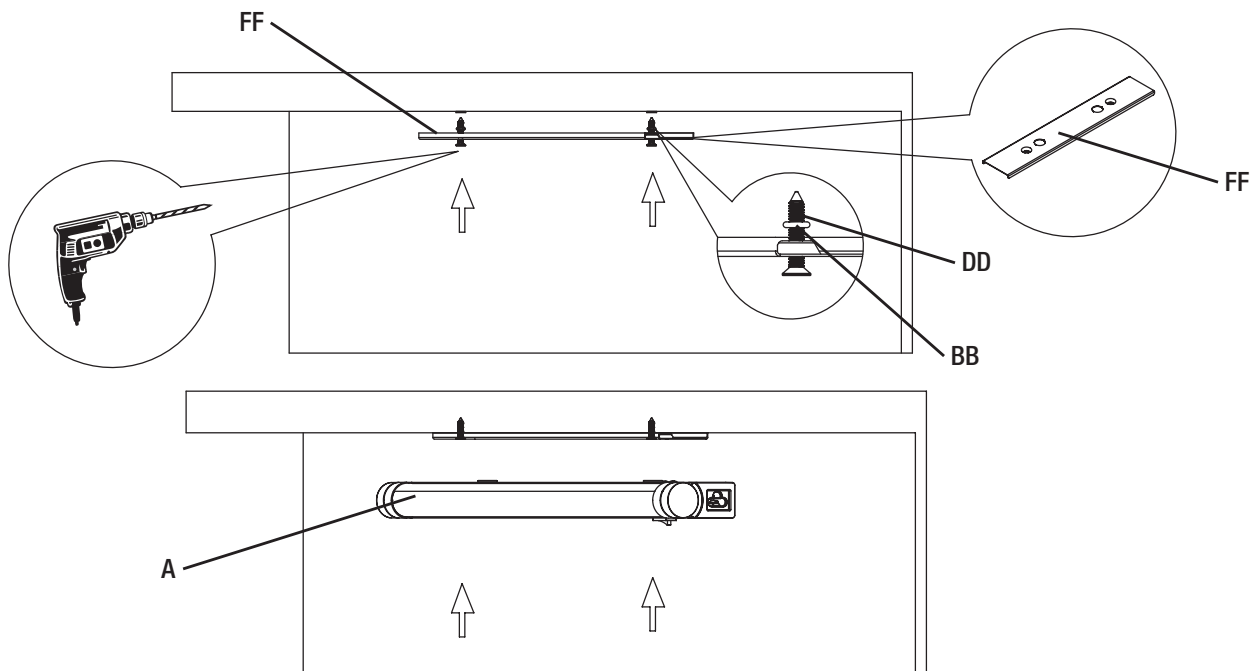
If replacing a previous direct wire fixture, with power disconnected to the electrical box, remove the existing fixture. Make a sketch of how the current fixture is wired (by wire color) or mark the wires with masking tape and a pencil so you will know how to properly reconnect the wires to the new LED light fixture.

Mounting Options

This undercabinet light can be installed either by mounting directly to the underside of the wood cabinet with screws or by installing the MagnaMount™ mounting plate and attaching the light to the magnetic.

1 Installing using the MagnaMount™ mounting plate

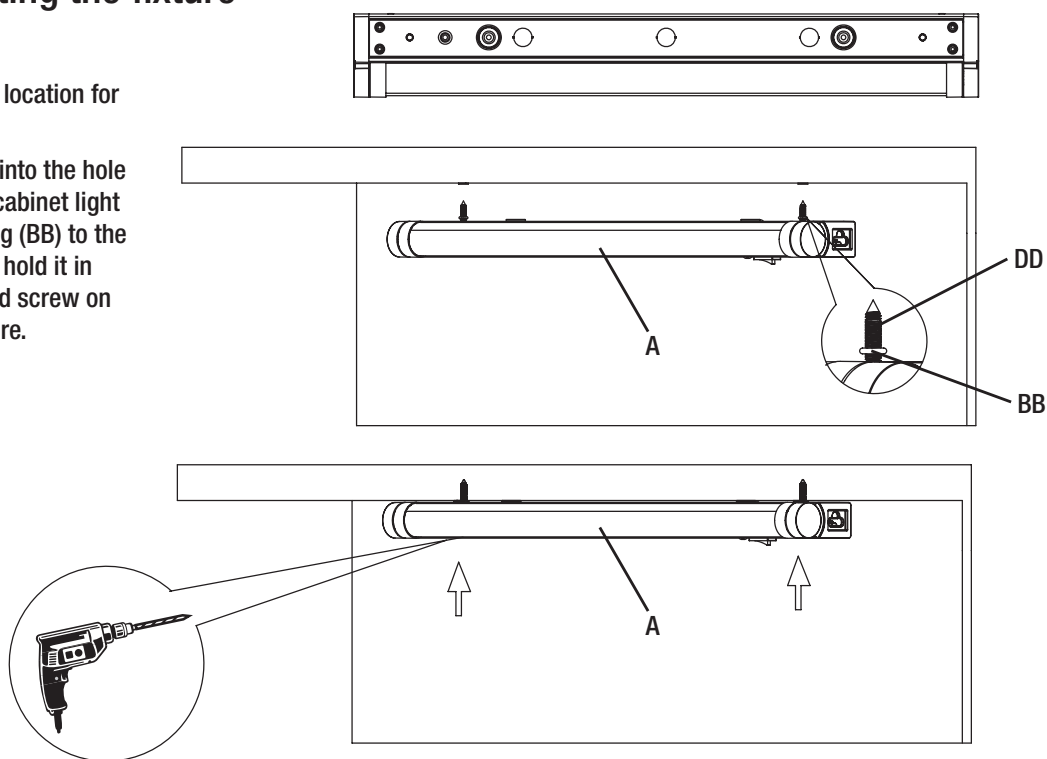
- Position the mounting plate (FF) against the underside of the cabinet where you want the fixture to be mounted and mark the locations of the two screw holes with a pencil. Take the mounting plate (FF) down away from the cabinet once the location has been marked.
- Place a mounting screw (DD) into the hole on one end of the mounting plate (FF) and attach an O-ring (BB) to the end of the mounting screw to hold it in place. Repeat with the second screw on the other end of the mounting plate.
- If attaching to drywall instead of to the underside of a cabinet, drill pilot holes and tap in drywall anchors (EE) at the screw positions.
- Hold the mounting plate (FF) up to the cabinet, matching the screw positions to the locations marked on the underside of the cabinet.
- Use a power tool to tighten the mounting screw (DD) on each end of the mounting plate (FF).
- Position the under cabinet light fixture (A) on the MagnaMount™ mounting plate (FF) and adjust the alignment as needed.



Installation (continued)

2 Installing by mounting the fixture directly

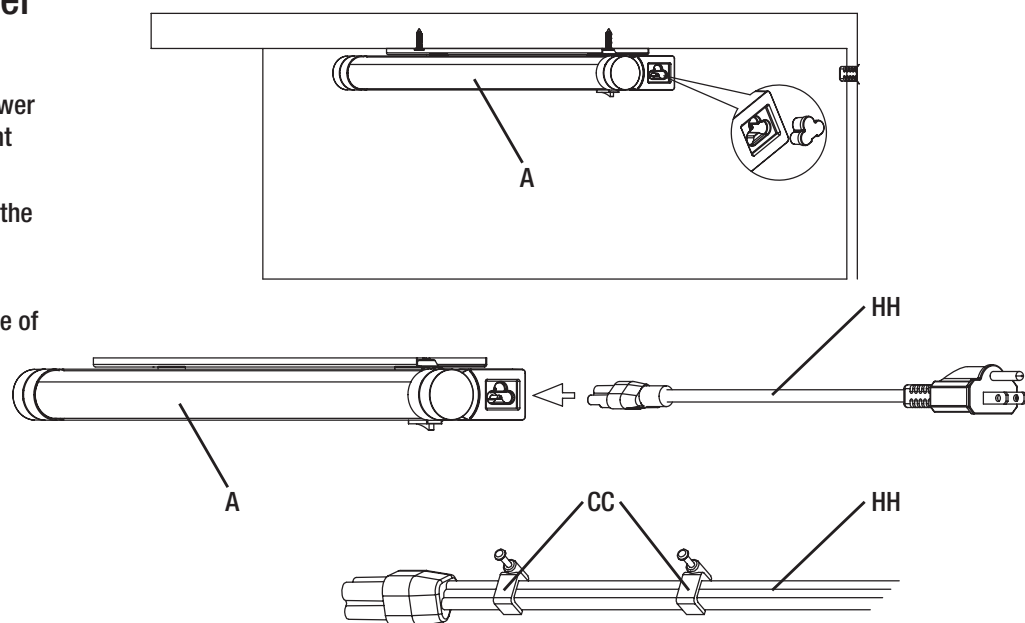
- Identify and mark the desired location for the LED fixture.
- Place a mounting screw (DD) into the hole on one end of the LED under cabinet light fixture (A) and attach an O-ring (BB) to the end of the mounting screw to hold it in place. Repeat with the second screw on the other end of the light fixture.
- Hold the under cabinet light fixture (A) up to the cabinet, matching the screw positions to the locations marked on the underside of the cabinet.
- Use a power tool to tighten the mounting screw (DD) on each end of the under cabinet light fixture (A).



Power Supply Options

3 Connecting the power cord

- Remove the end cap on the “power in” end of the under cabinet light fixture (A).
- Connect the power cord (GG) to the installed light fixture (A).
- Use wire clips (CC) to affix the power cord (GG) to the underside of the cabinet, if desired.



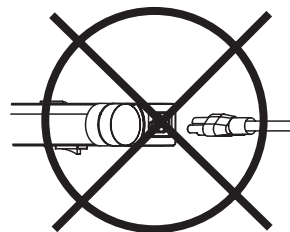
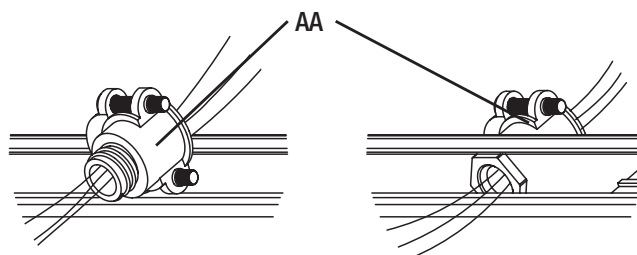
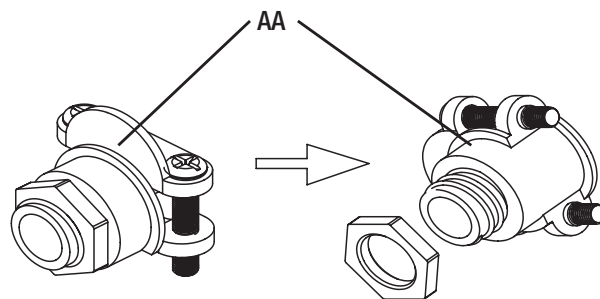
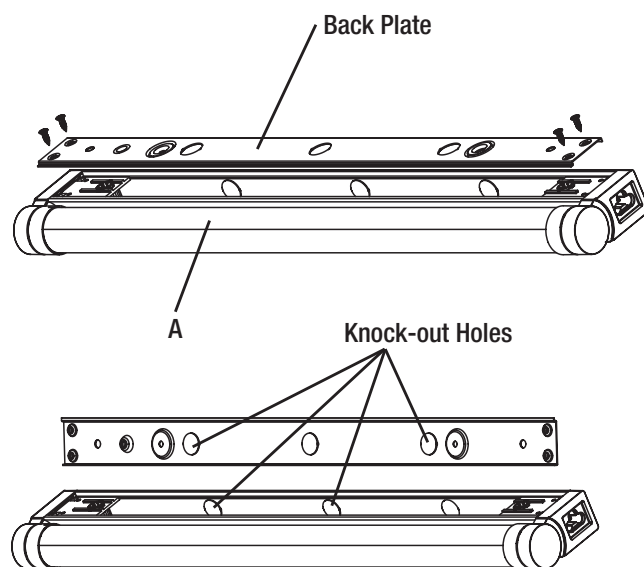
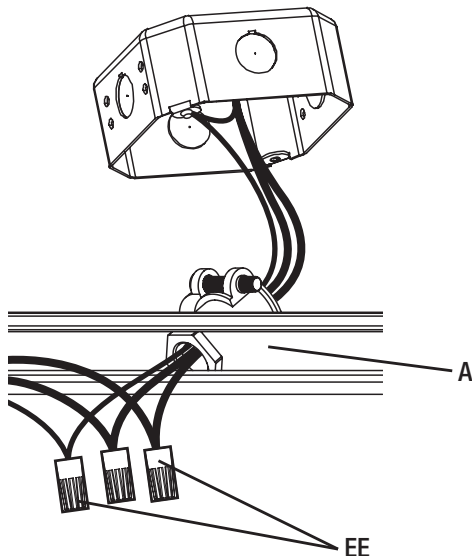
Installation (continued)

4 Making direct wire power connections

- Remove the four screws on the back of the light fixture (A) and open the back plate of the fixture.
- Determine which knock-out hole in the back plate of the fixture (A) will be closest to the power supply wire feed and remove the knock-out.
- Insert the threaded end of the strain relief (AA) through the knock-out hole from the outside.
- Feed the flexible whip or NM cable of the power supply through the strain relief (AA) in the back plate of the fixture (A) and tighten the clamp until it is secure.
- Connect the hot and neutral (black and white) wires from the power supply box to the same color wires from the electrical box.
- Connect the green wire from the power supply box to the grounding wire from the electrical box.
- Cover the wire connections using wire connectors and electrical tape.
- Tuck all wire connections into the wire compartment in the light fixture (A) and reattach the back plate of the fixture with the four screws removed earlier.



WARNING: Do not plug in the power cord when the fixture is direct wired to the power supply to avoid a dangerous situation.



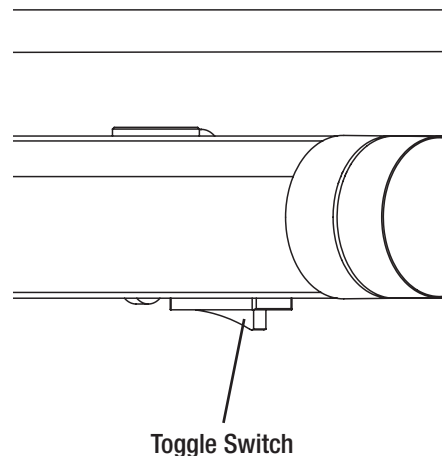
Installation (continued)

5 Operating the light fixture

- Use the toggle switch on the light fixture to control the lights.
- If the under cabinet lights are installed on a dimming circuit, use the dimmer switch to adjust the brightness.



NOTE: Color of light warms from 3000K to 2200K when dimmed.

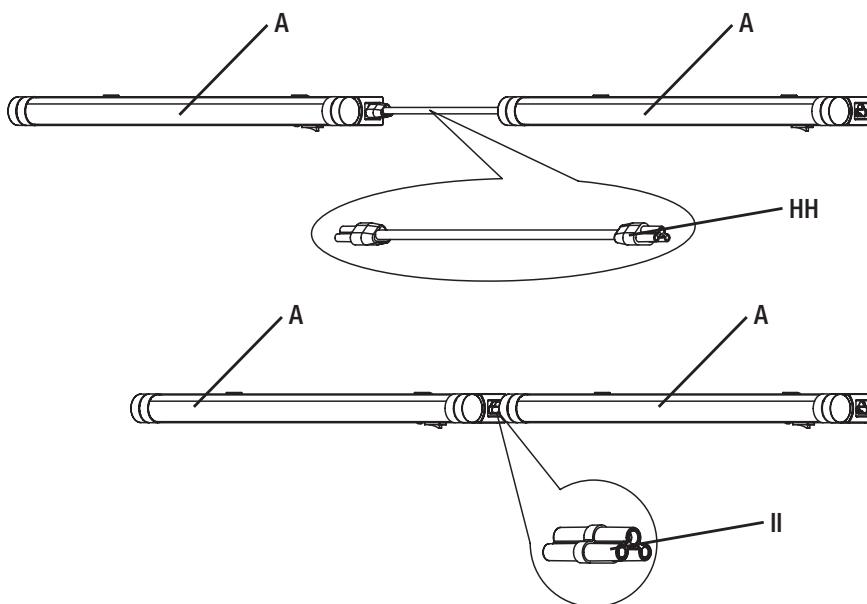


Linking Feature



WARNING: RISK OF ELECTRIC SHOCK. Disconnect power to the strip light before linking additional strip lights.

- Multiple light fixtures can be connected, up to a maximum of 300 total watts. Only the first light fixture needs to be plugged into an electrical outlet or direct wired.
- Provide power to the fixtures only after all linking connections have been made.
- Connect each additional fixture using either the linking cable (HH) or end-to-end connector (II). Remove the end cover and insert either the end-to-end connector (II) or linking cable (HH) into the receptacle in the end of each light fixture (A). When using the linking cable (HH), the maximum distance between two light fixtures is 14.5 in. using the linking cable (HH) provided.
- Use wire clips (CC) to affix the linking cable (HH) to the underside of the cabinet, if desired.



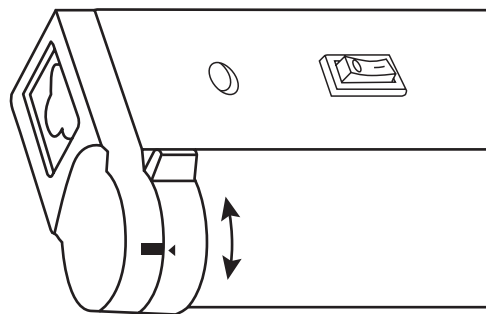
Model No.	Part No.	Maximum Connected Units
53502111	UC-12-5-930-SV-D	40
53503111	UC-18-9-930-SV-D	30
53504111	UC-24-12-930-SV-D	25

Beam Adjustment Feature

- Adjust the light angle to the area of the surface below where light is desired by rotating the tabs on each end of the light fixture (A) to the desired position.



NOTE: A minimum of 60% of the total lumen output is achieved in an adjustable beam angle of 22.5%.



Care and Cleaning



CAUTION: Before attempting to clean the fixture, disconnect the power to the fixture by turning the breaker off or removing the fuse from the fuse box.

- Clean the fixture with a soft, dry cloth.
- Do not use cleaners with chemicals, solvents, or harsh abrasives.
- Do not use liquid cleaner on the LEDs, LED driver, or wiring inside the light fixture.

Troubleshooting

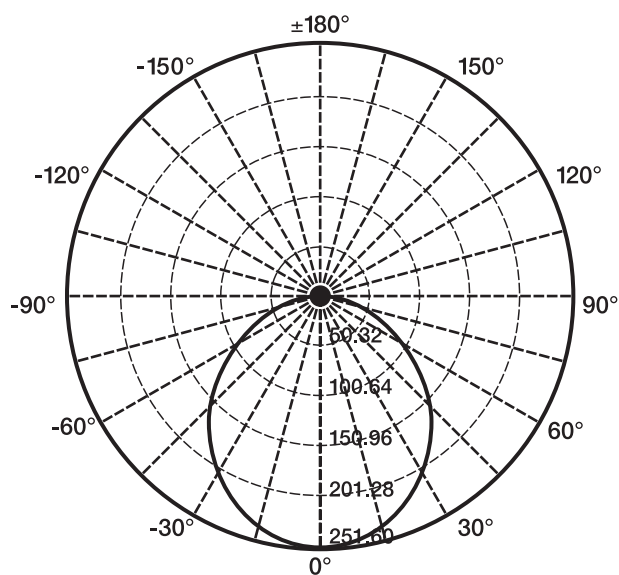


WARNING: Before doing any work on the fixture, disconnect power to the light fixture.

Minor problems often can be fixed without the help of an electrician.

Problem	Possible Cause	Solution
The fixture will not light.	The power is off.	Ensure the power supply is on.
	The circuit breaker is off.	Ensure the circuit breaker is in the on position.
	There is a bad connection.	Check to ensure proper wire connections are made. Contact a qualified electrician.
	There is a defective switch.	Contact a qualified electrician.
The fuse blows or the circuit breaker trips when the light is turned on.	The wires are crossed or the power wire is grounding out.	Check the wire connections. Contact a qualified electrician or call ETISL customer service 1-855-348-7754.

Light Distribution





Questions, problems, missing parts?
Call ETi SSL Customer Service
9 a.m. – 5 p.m., EST, Monday - Friday
1-855-ETI-SSL (1-855-384-7754)

WWW.ETISSL.COM

Retain this manual for future use.