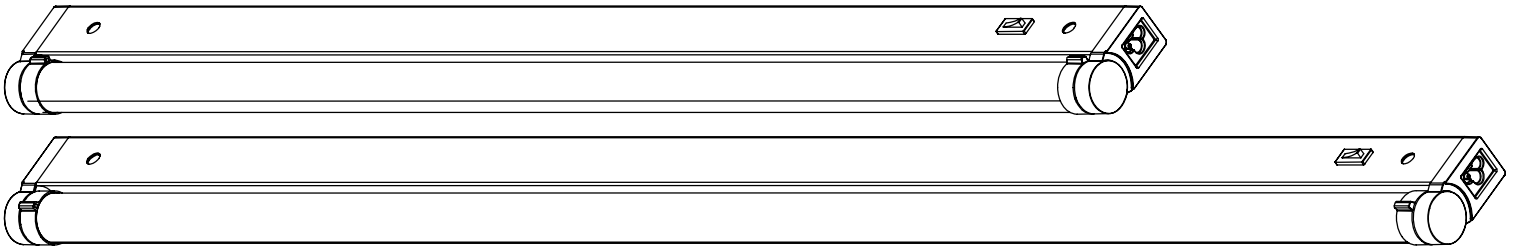


USE AND CARE GUIDE

BEAM ADJUSTABLE LED UNDER CABINET LIGHT WITH MAGNA MOUNT™ INSTALLATION OPTION



Questions, problems, missing parts?
Call ETi SSL Customer Service
9 a.m. – 5 p.m., EST, Monday - Friday
1-855-ETI-SSL (1-855-384-7754)



WWW.ETISSL.COM



THANK YOU


We appreciate the trust and confidence you have placed in ETi through the purchase of this LED light. We strive to continually create quality products designed to enhance your home. Visit us online to see our full line of products available for your home improvement needs.

Thank you for choosing ETi!


Table of Contents


Table of Contents	2	Installation	4
Safety Information	2	Mounting Options	4
Warranty	2	Power Supply Options	5
Pre-Installation	3	Linking Feature	7
Planning Installation	3	Beam Adjustment Feature	8
Tools Required	3	Light Distribution	8
Package Contents	3	Care and Cleaning	9
Hardware Included	3	Troubleshooting	9

Safety Information

 **CAUTION:** To reduce the risk of fire, electric shock, or injury to persons:


- Use only insulated staples or plastic ties to secure cords;
- Route and secure cords so that they will not be pinched or damaged when the cabinet is pushed to the wall;
- Do not use for recessed installation in ceilings or soffits.

 **CAUTION:** The National Electrical Code (NEC) does not permit cords to be concealed where damage to insulation may go unnoticed. To prevent fire danger, do not run cord behind walls, ceilings, soffits, or cabinets where it may be inaccessible for examination. Cords should be visually examined periodically and immediately replaced when any damage is noted.

 **CAUTION:** Maximum number of units to be interconnected:


- 53505111 (32 in. under cabinet light): maximum 18 units
- 53506111 (42 in. under cabinet light): maximum 14 units

Maximum distance between connected units is 14.5 in.

 **CAUTION:** To prevent electric shock, match wide blade of the plug to the wide slot and fully insert into the electrical outlet.

NOTICE: This equipment has been tested and found to comply with the limits for a Class B digital device, pursuant to Part 15 of the FCC Rules. These limits are designed to provide reasonable protection against harmful interference in a residential installation. This equipment generates, uses and can radiate radio frequency energy and, if not installed and used in accordance with the instructions, may cause harmful interference to radio communications. However, there is no guarantee that interference will not occur in a particular installation. If this equipment does cause harmful interference to radio or television reception, which can be determined by turning the equipment off and on, the user is encouraged to try to correct the interference by one or more of the following measures:

- Reorient or relocate the receiving antenna.
- Increase the separation between the equipment and the receiver.
- Connect the equipment into an outlet on a circuit different from that to which the receiver is connected.
- Consult the dealer or an experienced radio/TV technician for help.

 **WARNING:** Changes or modifications not expressly approved by the party responsible for compliance could void the user's authority to operate the equipment.

Warranty

This product is warranted for a period of 5 years from the date of original purchase against defects in materials and workmanship. If this product should fail to operate due to defects in material or workmanship within 60 months of purchase, see www.ETiSSL.com for details. This product will be repaired or replaced, at ETi's option. This warranty is expressly limited to repair or replacement of product, and liability for direct, incidental, or consequential damages is hereby expressly excluded. Some states do not allow exclusions of direct, incidental or consequential damages, so the above limitation of exclusion may not apply to you. This warranty gives the consumer specific legal rights, which vary from state to state. **WARRANTY IS VOID IF PRODUCT IS NOT USED FOR THE PURPOSE WHICH THIS PRODUCT IS MANUFACTURED.**


Pre-Installation

PRODUCT DESCRIPTION AND CHARACTERISTICS

An LED under cabinet light fixture can be directly mounted to the underside of a cabinet or wall and requires little space. It is energy-saving, environmentally friendly, and used for emitting soft and even distribution of light.

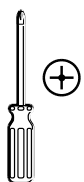
PLANNING INSTALLATION

Before beginning assembly, installation or operation of product, make sure all parts are present. Compare parts with the package contents list. If any part is missing or damaged, do not attempt to assemble, install or operate the product. Contact customer service for replacement parts.

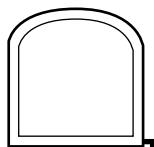
 **NOTE:** Keep your receipt and these instructions for proof of purchase.

If you are unfamiliar with electrical installations, we recommend you contact a qualified electrician to do the installation. Identify the desired location for the LED fixture to make sure the length of the fixture fits the cabinet.

TOOLS REQUIRED



Phillips screwdriver



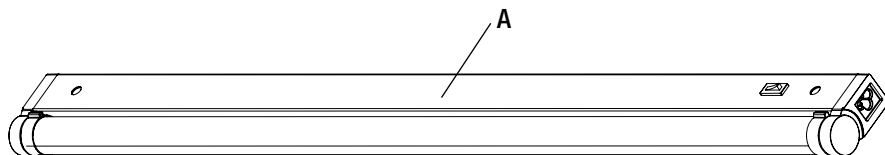
Measuring Tape



Power Drill with 1/8 in. drill bit

PACKAGE CONTENTS

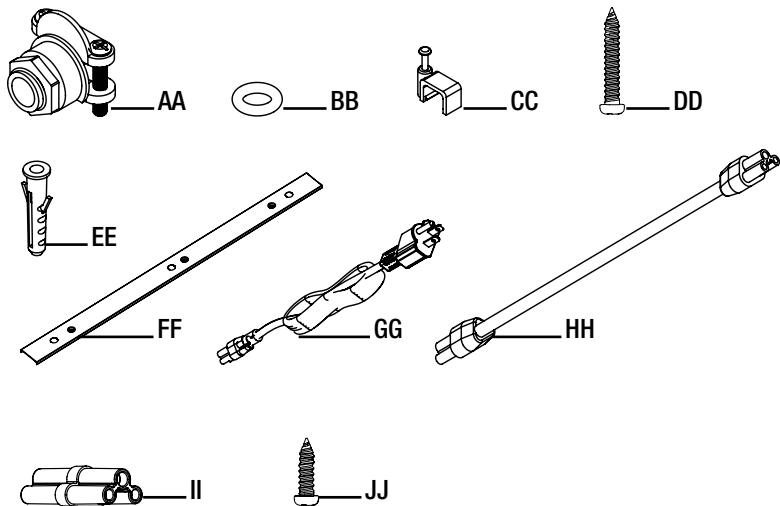
Part	Description	Quantity
A	Under Cabinet Light Fixture	1



HARDWARE INCLUDED

 **NOTE:** Hardware not shown to actual size.

Part	Description	Quantity
AA	Strain Relief	1
BB	O-Ring	4
CC	Wire Clip	2
DD	Mounting Screw (long)	2
EE	Drywall Anchor	4
FF	Mounting Plate	1
GG	5 ft. Power Cord	1
HH	14.5 in. Linking Cable	1
II	End-to-End Connector	1
JJ	Mounting Screw (short)	4



Installation



WARNING: RISK OF ELECTRIC SHOCK. Ensure the electricity to the wires you are working on is shut off. Either remove the fuse or turn off the circuit breaker before removing the existing light fixture or installing the new one.

If replacing a previous direct wire fixture, with power disconnected to the electrical box, remove the existing fixture. Make a sketch of how the current fixture is wired (by wire color) or mark the wires with masking tape and a pencil so you will know how to properly reconnect the wires to the new LED light fixture.

Mounting Options

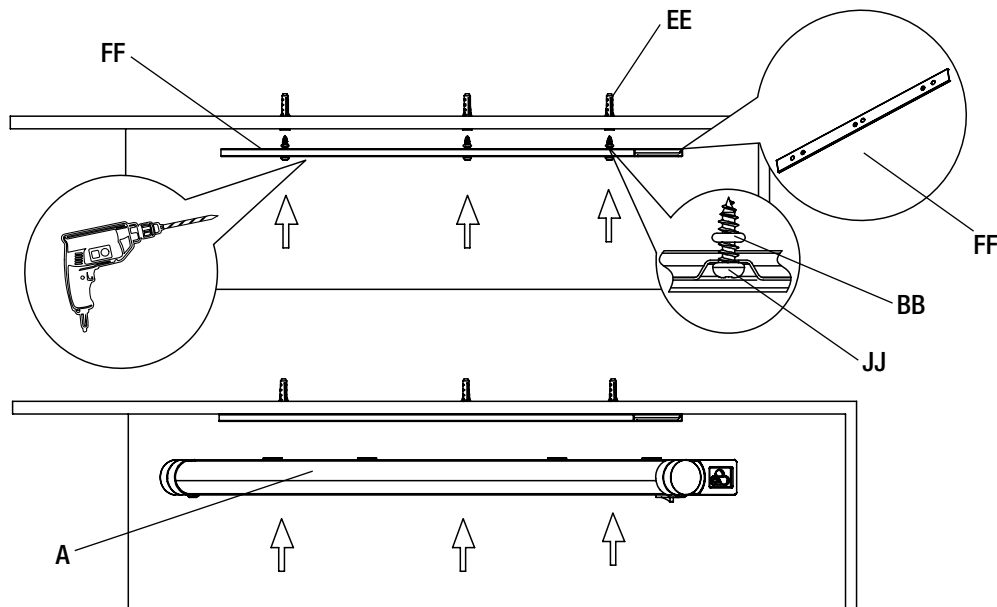
This undercabinet light can be installed either by mounting directly to the underside of the wood cabinet with screws or by installing the MagnaMount™ mounting plate and attaching the light to the magnetic plate.

1 Installing using the MagnaMount™ mounting plate

- Position the mounting plate (FF) against the underside of the cabinet where you want the fixture to be mounted and mark the locations of the three screw holes (Model# 53505111) or 4 screw holes (Model# 53506111) with a pencil. Take the mounting plate (FF) down away from the cabinet once the location has been marked.
- Place a short mounting screw (JJ) into the hole on one end of the mounting plate (FF) and attach an O-ring (BB) to the end of the mounting screw (JJ) to hold it in place. Repeat with the remaining mounting screws (JJ).
- If attaching to drywall instead of to the underside of a cabinet, drill pilot holes and tap in the drywall anchors (EE) at the screw positions.
- Hold the mounting plate (FF) up to the cabinet, matching the screw positions to the locations marked on the underside of the cabinet.
- Use a power tool to tighten the mounting screws (JJ).
- Position the under cabinet light fixture (A) on the MagnaMount™ mounting plate (FF) and adjust the alignment as needed.



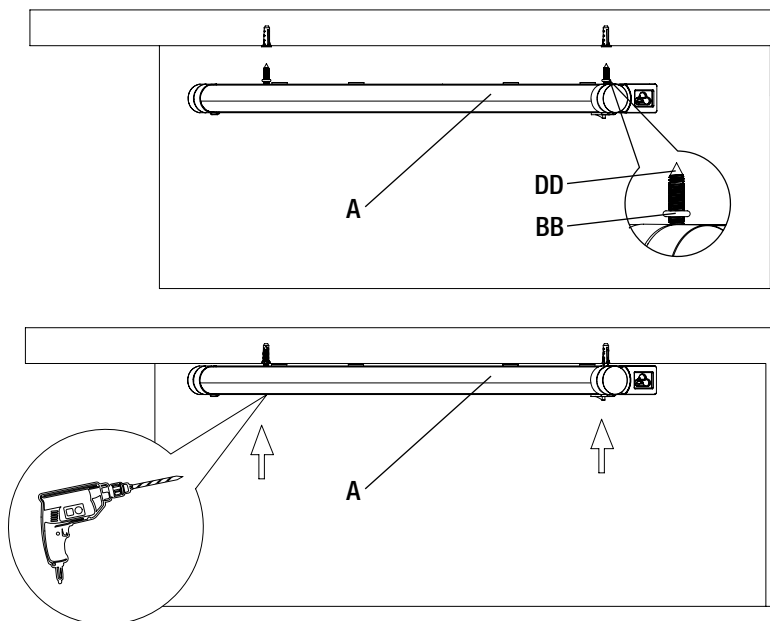
NOTE: Only 3 of the 4 short mounting screws included are used to install the MagnaMount mounting plate for Model 53505111. All 4 of the short mounting screws are used to install the MagnaMount mounting plate for Model 53506111.



Installation (continued)

2 Installing by mounting the fixture directly

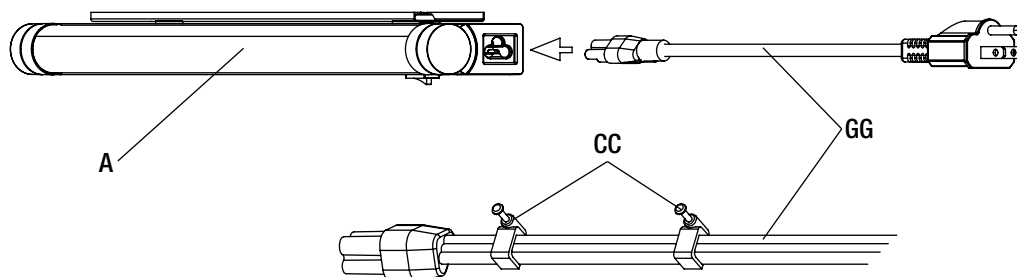
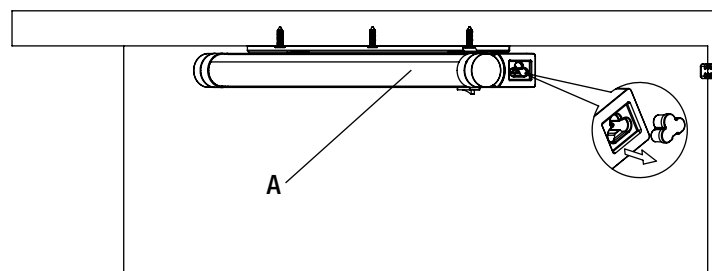
- Identify and mark the desired location for the LED fixture.
- If attaching to drywall instead of to the underside of a cabinet, drill pilot holes and tap in drywall anchors (EE) at the screw positions.
- Place a long mounting screw (DD) into the hole on one end of the LED under cabinet light fixture (A) and attach an O-ring (BB) to the end of the mounting screw to hold it in place. Repeat with the second long mounting screw (DD) on the other end of the under cabinet light fixture (A).
- Hold the under cabinet light fixture (A) up to the cabinet, matching the screw positions to the locations marked on the underside of the cabinet.
- Use a power tool to tighten the mounting screw (DD) on each end of the under cabinet light fixture (A).



Power Supply Options

3 Connecting the power cord

- Remove the end cap on the “power in” end of the under cabinet light fixture (A).
- Connect the power cord (GG) to the installed light under cabinet light fixture (A).
- Use wire clips (CC) to affix the power cord (GG) to the underside of the cabinet, if desired.



Installation (continued)

4 Making direct wire power connections

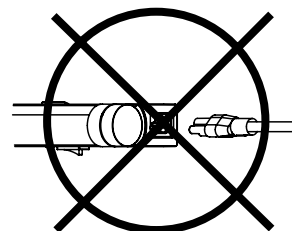
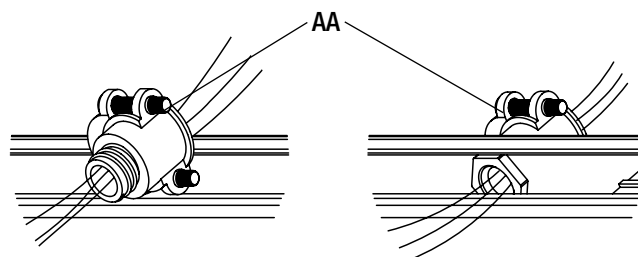
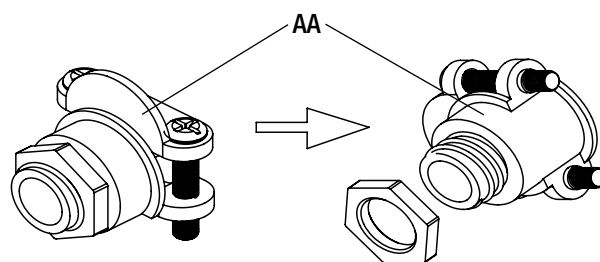
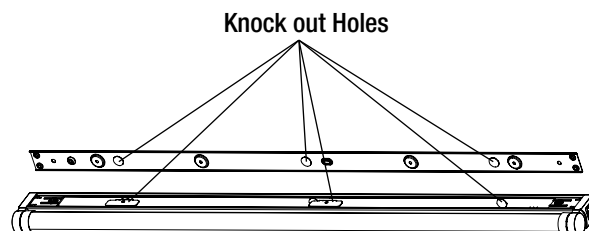
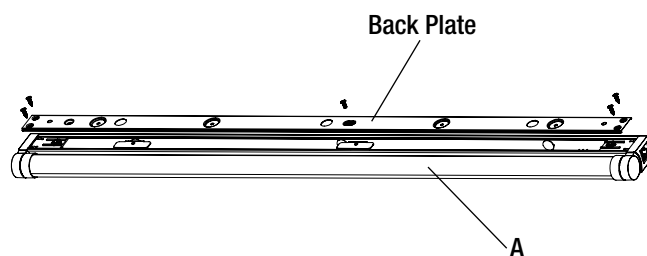
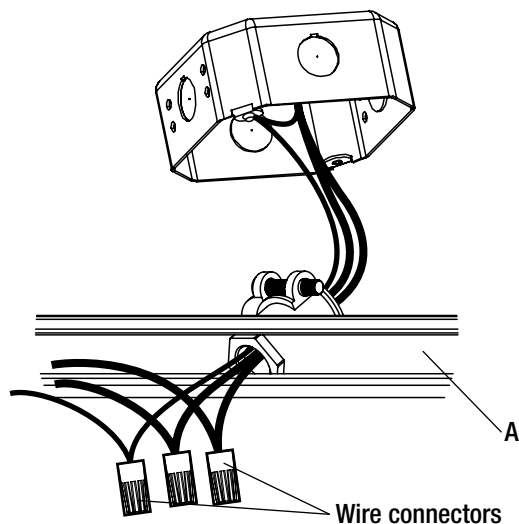
- Remove the five screws on the back of the under cabinet light fixture (A) and open the back plate of the fixture.
- Determine which knock out hole in the back plate of the under cabinet light fixture (A) will be closest to the power supply wire feed and use a screwdriver to remove the knock out.
- Insert the threaded end of the strain relief (AA) through the knock out hole from the outside.
- Feed the flexible whip or NM cable of the power supply through the strain relief (AA) in the back plate of the under cabinet light fixture (A) and tighten the clamp until it is secure.
- Connect the hot and neutral (black and white) wires from the power supply box to the same color wires from the electrical box.
- Connect the green wire from the power supply box to the grounding wire from the electrical box.
- Cover the wire connections using wire connectors (not included) and electrical tape (not included).
- Tuck all wire connections into the wire compartment in the under cabinet light fixture (A) and reattach the back plate of the under cabinet light fixture with the five screws removed earlier.



WARNING: Do not plug in the power cord when the fixture is direct wired to the power supply to avoid a dangerous situation.



WARNING: Plug in End Cap before connect power.



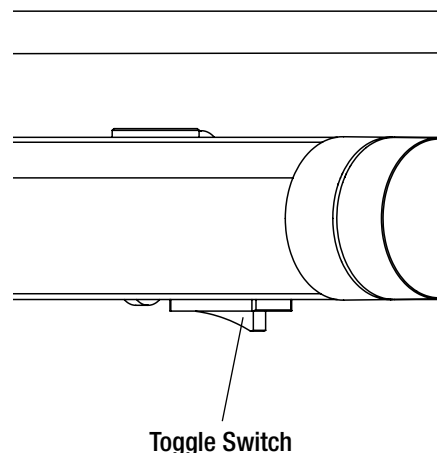
Installation (continued)

5 Operating the light fixture

- Use the toggle switch on the light fixture to control the lights.
- If the under cabinet lights are installed on a dimming circuit, use the dimmer switch to adjust the brightness.



NOTE: Color of light warms from 3000K to 2200K when dimmed.



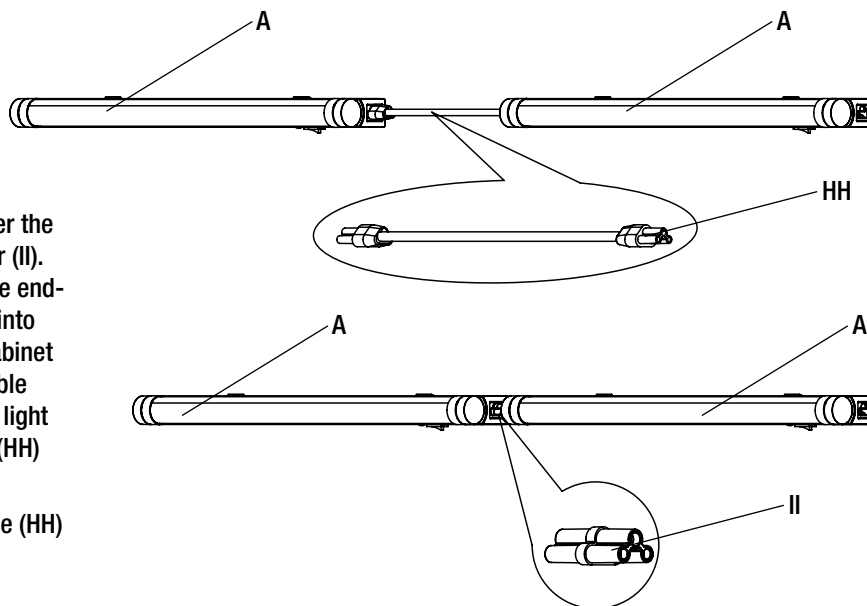
Toggle Switch

Linking Feature



WARNING: RISK OF ELECTRIC SHOCK. Disconnect power to the under cabinet light before linking additional under cabinet lights.


- Multiple light fixtures can be connected, up to a maximum of 300 total watts. Only the first light fixture needs to be plugged into an electrical outlet or directly wired.
- Provide power to the fixtures only after all linking connections have been made.
- Connect each additional fixture using either the linking cable (HH) or end-to-end connector (II). Remove the end cover and insert either the end-to-end connector (II) or linking cable (HH) into the receptacle in the end of each under cabinet light fixture (A). When using the linking cable (HH), the maximum distance between two light fixtures is 14.5 in. using the linking cable (HH) provided.
- Use wire clips (CC) to affix the linking cable (HH) to the underside of the cabinet, if desired.

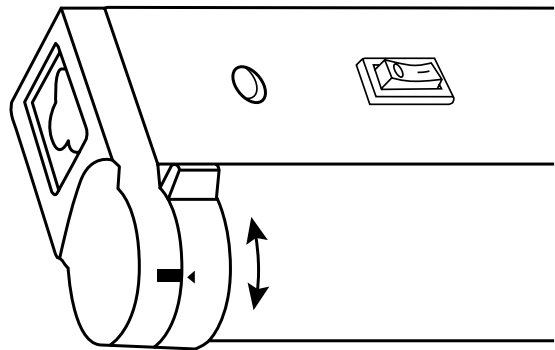


Model No.	Part No.	Maximum Connected Units
53505111	UC-32-10-930-SV-D	18
53506111	UC-42-15-930-SV-D	14

Beam Adjustment Feature

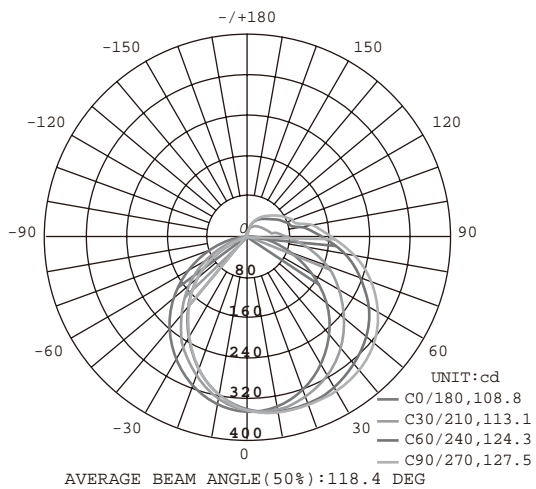
- Adjust the light angle to the area of the surface below where light is desired by rotating the tabs on each end of the under cabinet light fixture (A) to the desired position.

 **NOTE:** A minimum of 60% of the total lumen output is achieved in an adjustable beam angle of 22.5°.

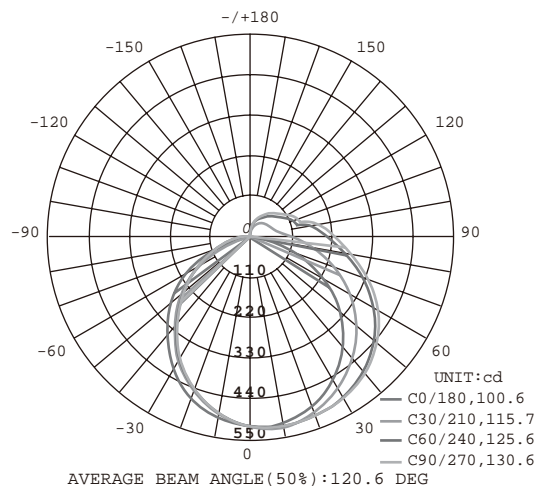


Light Distribution

53505111



53506111



Care and Cleaning



CAUTION: Before attempting to clean the fixture, disconnect the power to the fixture by turning the breaker off or removing the fuse from the fuse box.

- Clean the fixture with a soft, dry cloth.
- Do not use cleaners with chemicals, solvents, or harsh abrasives.
- Do not use liquid cleaner on the LEDs, LED driver, or wiring inside the light fixture.

Troubleshooting



WARNING: Before doing any work on the fixture, disconnect power to the light fixture.

Minor problems often can be fixed without the help of an electrician.

Problem	Possible Cause	Solution
The fixture will not light.	The power is off.	Ensure the power supply is on.
	The circuit breaker is off.	Ensure the circuit breaker is in the on position.
	There is a bad connection.	Check to ensure proper wire connections are made. Contact a qualified electrician.
	There is a defective switch.	Contact a qualified electrician.
The fuse blows or the circuit breaker trips when the light is turned on.	The wires are crossed or the power wire is grounding out.	Check the wire connections. Contact a qualified electrician or call ETiSSL customer service 1-855-348-7754.
The light fixture flickers or makes a buzzing sound.	The dimmer circuit is not compatible with the product.	Check the product page at www.ETiSSL.com for a list of compatible dimmers.
	The dimming circuit is set outside the dimming range of the product.	Turn or slide the dimmer switch to adjust the light output until the flickering or buzzing stops.



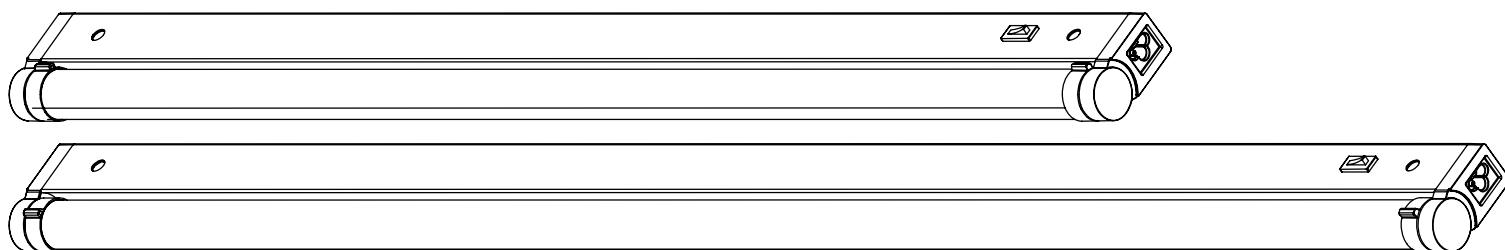
Questions, problems, missing parts?
Call ETi SSL Customer Service
9 a.m. – 5 p.m., EST, Monday - Friday
1-855-ETI-SSL (1-855-384-7754)

WWW.ETISSL.COM

Retain this manual for future use.

GUIDE D'UTILISATION ET D'ENTRETIEN

LAMPE SOUS ARMOIRE À DEL À FAISCEAU AJUSTABLE AVEC OPTION D'INSTALLATION MAGNA MOUNT^{MC}



Questions, difficultés, pièces manquantes?
Téléphonez au service à la clientèle de ETi SSL Customer Service
9 a.m. – 5 p.m., HNE, du lundi au vendredi,
1-855-ETI-SSL (1-855-384-7754)



WWW.ETISSL.COM



MERCI

Nous apprécions la confiance que vous avez accordé à la ETi en achetant ce luminaire à DEL. Nous cherchons continuellement à créer des produits de qualité visant à améliorer le décor de votre foyer. Consultez notre gamme complète de produits pour vos projets de rénovation au foyer. Nous vous remercions d'avoir choisi ETi!

Table des matières

Table des matières	12	Installation	14
Notice de sécurité.....	12	Options pour le montage	14
Garantie.....	12	Options pour l'alimentation	15
Avant l'installation	13	Option de connexion en chaîne	17
Planification de l'installation	13	Ajustement du faisceau	18
Outils requis.....	13	Distribution de la lumière.....	18
Contenu de l'emballage.....	13	Entretien et nettoyage	19
Quincaillerie fournie.....	13	Guide de dépannage.....	19

Notice de sécurité

MISE EN GARDE : Afin de réduire le risque d'incendie, de choc électrique ou de blessure :



- N'utiliser que des agrafes isolées ou des attaches en plastique pour fixer les fils.
- Acheminez et attachez les fils de façon à ce qu'ils ne soient pas pincés ou endommagés quand l'armoire est poussée contre le mur.
- Ne convient pas à une installation encastrée dans un plafond ou un soffite.

MISE EN GARDE : Le code national de l'électricité (CNÉ) ne permet pas le retrait des cordons là où des dommages à l'isolant pourrait ne pas être vu. Afin d'éviter tout risque d'incendie, n'acheminez pas le cordon derrière un mur, un plafond, un soffite ou une armoire là où il serait impossible de l'examiner. Les cordons devraient être examinés régulièrement et remplacés dès qu'un dommage est noté.



MISE EN GARDE : Nombre maximal d'unités interconnectées ;
53505111 (81 cm, sous l'armoire) : maximum de 18 unités interconnectées
53506111 (106 cm, sous l'armoire) : maximum de 14 unités interconnectées
La distance maximale entre les unités à interconnecter est 36,8 cm.



MISE EN GARDE : Pour éviter les chocs électriques, appariez la lame large de la fiche avec la fente large de la prise et enfoncez la fiche complètement dans la prise.



AVIS : Ce dispositif a été testé et se trouve en deçà des limites pour un dispositif numérique de Classe B aux termes de la section 15B des règlements de la FCC.

Ces limites servent à offrir une protection raisonnable contre une interférence nocive dans une installation résidentielle.

Ce dispositif génère, utilise et peut irradier une énergie de fréquence radio; s'il n'est pas installé et utilisé conformément aux directives, il peut causer une interférence nocive aux communications radio. Il n'est toutefois pas garanti qu'aucune interférence ne surviendra dans une installation particulière. Si le dispositif cause une interférence nuisible à la réception radio ou télé, ce qui peut être établi en éteignant et rallumant le dispositif, on conseille à l'utilisateur de tenter de

- Réorienter ou déplacer l'antenne réceptrice.
- Augmenter la distance entre le dispositif et le poste récepteur.
- Brancher l'équipement dans une prise de courant sur un circuit autre que celui sur lequel le récepteur est branché.
- Demander conseil auprès du marchand ou d'un technicien en radio/télé.



AVERTISSEMENT : Des changements ou des modifications non expressément approuvées par le tiers responsable de la conformité pourraient annuler pour l'utilisateur, l'autorisation d'utiliser cet équipement.

Garantie

Ce produit est garanti contre les vices de matière et de fabrication pour une période de 5 ans à compter de la date d'achat originale. Si le produit ne fonctionne pas à cause d'un vice de matière ou de fabrication dans les 60 mois suivant son achat, consultez www.ETiSSL.com pour de plus amples renseignements. Le produit sera réparé ou remplacé, à la discrétion d'ETi. Cette garantie est expressément limitée à la réparation ou au remplacement du produit et toute responsabilité quant aux dommages directs, indirects ou fortuits est expressément exclue. Certaines provinces ne permettent pas l'exclusion des dommages directs, indirects ou fortuits et la restriction ci-haut peut ne pas s'appliquer dans votre cas. Cette garantie accorde au consommateur des droits particuliers qui peuvent varier d'une province à l'autre. LA GARANTIE EST NULLE ET SANS EFFET SI LE PRODUIT EST UTILISÉ À DES FINS AUTRES QUE CELLES PRÉVUES POUR LE PRODUIT.

Avant l'installation

DESCRIPTION ET CARACTÉRISTIQUES DU PRODUIT

La lampe à DEL sous l'armoire peut être posée directement sous l'armoire ou sur le mur et occupe peu d'espace. Elle est écoénergétique, écologique et émet une lumière douce et uniforme.

PLANIFICATION DE L'INSTALLATION

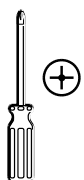
Avant de commencer à assembler, installer ou utiliser le produit, assurez-vous d'avoir toutes les pièces. Comparez les pièces à la liste du contenu de l'emballage. S'il y a des pièces manquantes ou endommagées, ne tentez pas d'assembler, d'installer, ni d'utiliser le produit. Communiquez avec le service à la clientèle pour obtenir des pièces de rechange.



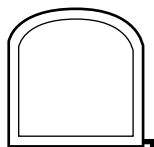
NOTE: Gardez votre facture ainsi que ces instructions comme preuves d'achat.

Si vous n'êtes pas familier avec les installations électriques, nous recommandons que l'installation soit faite par un électricien qualifié. Identifiez l'endroit où installer la lampe à DEL afin d'être sûr que sa longueur convient à l'armoire.

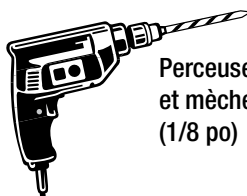
OUTILS REQUIS



Tournevis à pointe cruciforme



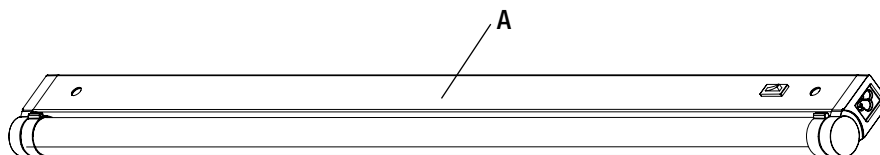
Galon à mesurer



Perceuse électrique et mèche de 3 mm (1/8 po)

CONTENU DE L'EMBALLAGE

Pièce	Désignation	Quantité
A	Lampe à DEL sous l'armoire	1

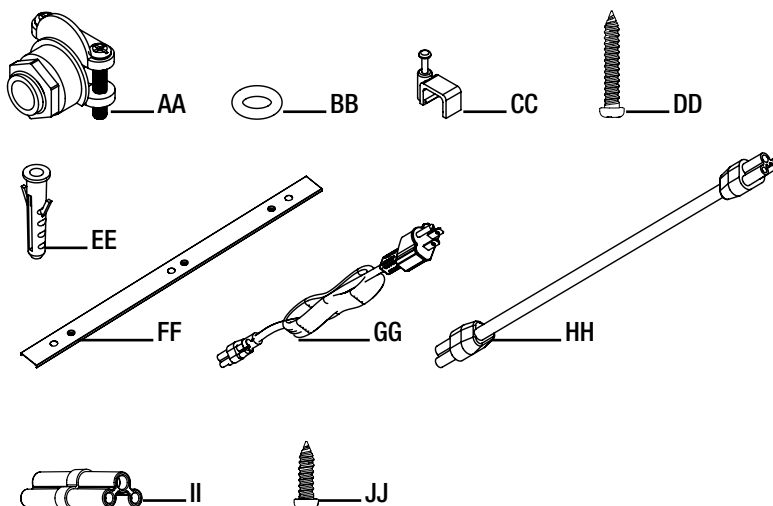


QUINCAILLERIE FOURNIE



NOTE: La quincaillerie n'est pas illustrée à sa grandeur réelle.

Pièce	Désignation	Quantité
AA	Détendeur	1
BB	Joint torique	4
CC	Agrafe	2
DD	Vis de montage (longue)	2
EE	Ancrage mural	4
FF	Plaque de fixation	1
GG	Cordon d'alimentation de 152 cm	1
HH	Fil de raccordement de 36,8 cm	1
II	Connecteur bout-en-bout	1
JJ	Vis de montage (courte)	4



Installation



AVERTISSEMENT : RISQUE DE CHOC ÉLECTRIQUE. Assurez-vous de couper le courant aux fils sur lesquels vous travaillerez. Enlevez le fusible ou coupez le disjoncteur avant d'enlever la lampe existante ou d'installer la nouvelle.

Si vous remplacez une luminaire à connexion directe, enlevez ce luminaire après avoir coupé le courant à la boîte électrique. Faites un dessin des connexions électriques (par couleur de fil) ou marquez les fils avec un ruban-cache et un crayon afin de pouvoir connecter la nouvelle lampe à DEL correctement.

Options pour le montage

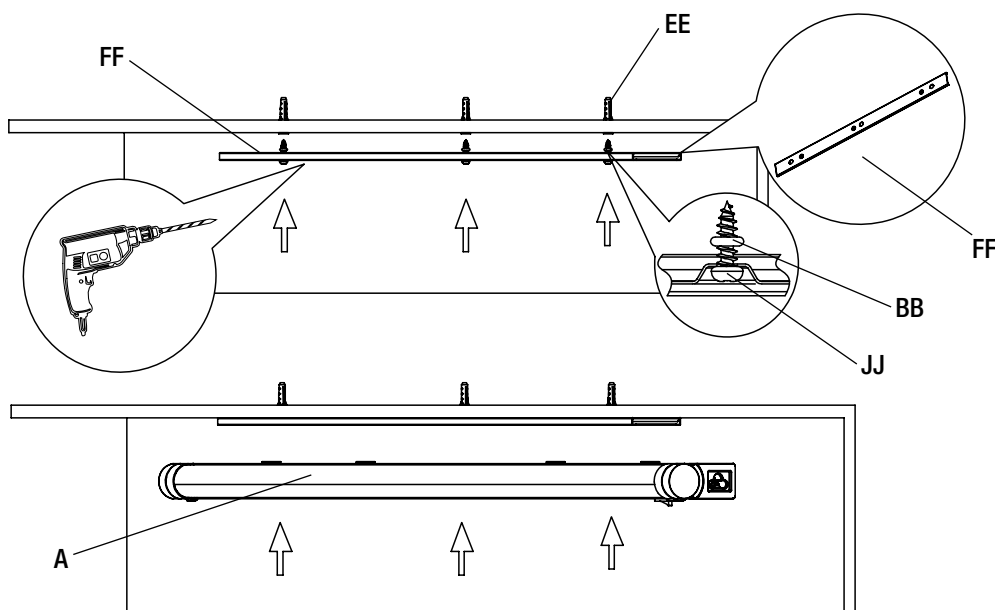
Cette lampe sous armoire peut être montée directement sous une armoire en bois à l'aide de vis ou en installant la plaque de fixation MagnaMount^{MC} et posant la lampe sur la plaque aimantée.

1 Installation avec la plaque de fixation MagnaMount^{MC}

- Placez la plaque de fixation (FF) sur le dessous de l'armoire là où vous voulez poser la lampe; marquez l'emplacement des trois trous de vis (modèle 53505111) ou des quatre trous de vis (modèle 53506111) avec un crayon. Retirez la plaque de fixation (FF) une fois les positions marquées.
- Placez une vis de montage courte (JJ) dans le trou à une extrémité de la plaque de fixation (FF) et posez un joint torique (BB) au bout de la vis (JJ) pour la tenir en place. Faites de même avec les autres vis de montage (JJ).
- Si vous la fixez au placoplâtre plutôt que sous une armoire, percez des trous pilotes et posez les ancrages pour placoplâtre (EE) aux positions pour les vis.
- Tenez la plaque de fixation (FF) sous l'armoire, les vis sur les positions marquées auparavant.
- Utilisez un tournevis électrique pour serrer les vis de montage (JJ).
- Placez la lampe sous armoire (A) contre la plaque de fixation MagnaMount^{MC} (FF) et ajustez sa position au besoin.



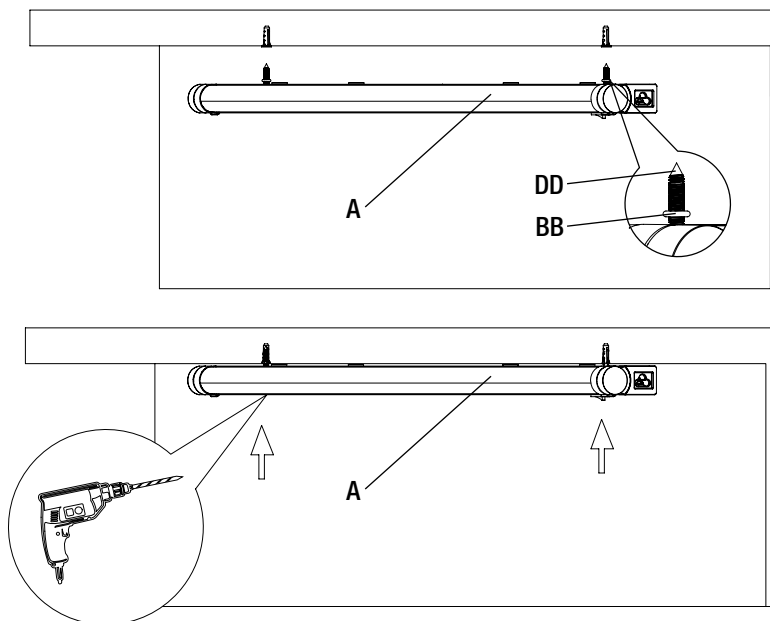
NOTE : Fixer la plaque de montage MagnaMount du modèle 53505111 ne requiert que 3 des 4 vis de montage courtes. Le modèle 53506111, pour sa part, requiert les 4 vis de montage courtes.



Installation (suite)

2 Installation par montage direct

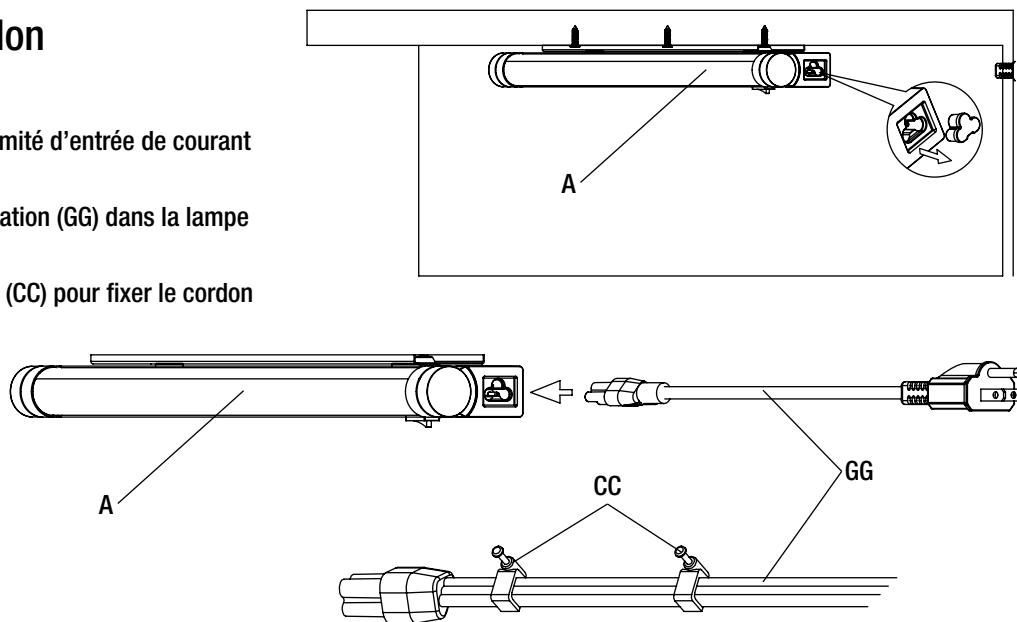
- Identifiez et marquez la position désirée de la lampe à DEL.
- Si vous la fixez au placoplâtre plutôt que sous une armoire, percez des trous pilotes et posez les ancrages pour placoplâtre (EE) aux positions pour les vis.
- Placez une vis de montage longue (DD) dans le trou à une extrémité de la lampe à DEL (A) et posez un joint torique (BB) au bout de la vis pour la tenir en place. Répétez pour la deuxième vis de montage longue (DD) à l'autre extrémité de la lampe sous armoire (A).
- Tenez la lampe (A) sous l'armoire, appariant la position des vis avec les marques faites sous l'armoire.
- Utilisez un outil électrique pour serrer les vis de montage (DD) à chaque extrémité de la lampe (A).



Options pour l'alimentation

3 Connexion du cordon d'alimentation

- Enlevez le capuchon à l'extrémité d'entrée de courant de la lampe sous armoire (A).
- Branchez le cordon d'alimentation (GG) dans la lampe installée sous l'armoire (A).
- Si désiré, utilisez des agrafes (CC) pour fixer le cordon (GG) sous l'armoire.



Installation (suite)

4 Connexion directe au secteur

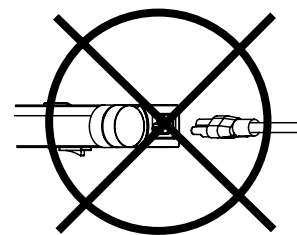
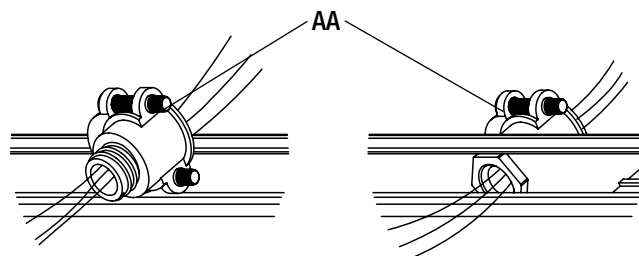
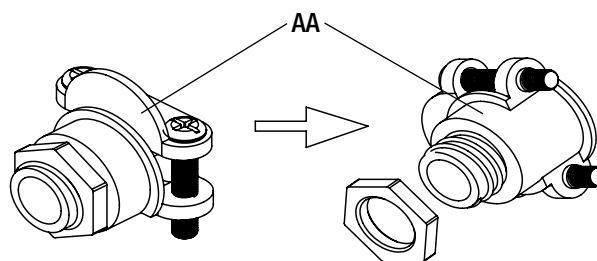
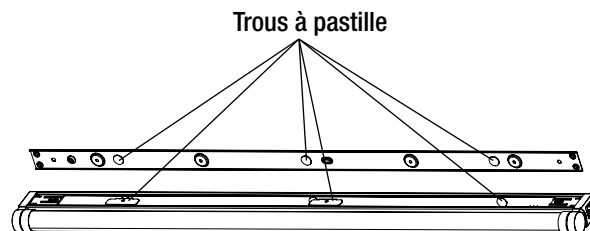
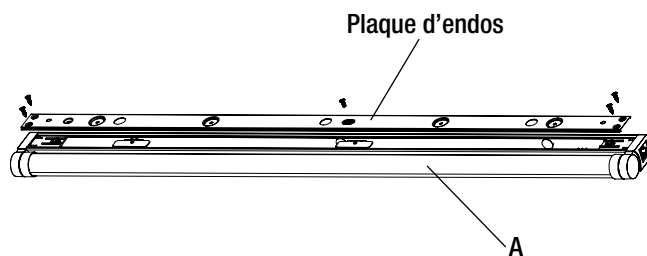
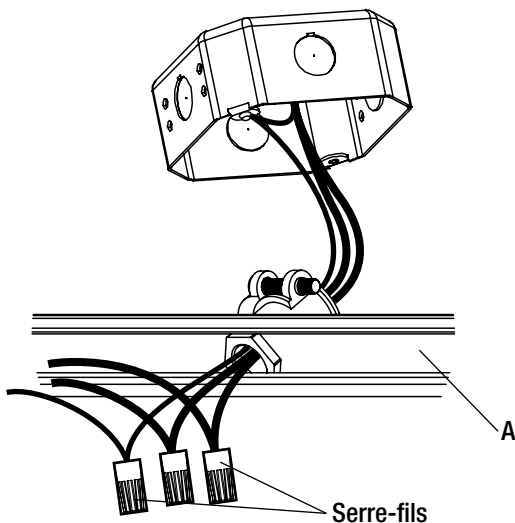
- Enlevez les cinq vis au dos de la lampe sous armoire (A) et enlevez la plaque d'endos.
- Déterminez quelle pastille de la plaque d'endos de la lampe (A) se trouve la plus près de la source de courant et faites sauter cette pastille à l'aide d'un tournevis.
- Insérez l'embout fileté du détendeur (AA) dans le trou de la pastille, par le côté extérieur.
- Acheminez le câble flexible ou NM de la source de courant à travers le détendeur (AA) de la plaque d'endos de la lampe sous armoire (A) puis serrez la bride solidement.
- Connectez le fil chargé et le fil neutre (noir et blanc) de la boîte d'alimentation aux fils de la même couleur de la boîte électrique.
- Connectez le fil vert de la boîte d'alimentation au fil de terre de la boîte électrique.
- Couvrez les connexions avec des connecteurs (non inclus) et un ruban isolant (non inclus).
- Placez les fils connectés dans le logement de la lampe sous armoire (A) et réattachez la plaque d'endos de la lampe sous armoire à l'aide des cinq vis enlevées auparavant.



AVERTISSEMENT : Afin d'éviter toute situation dangereuse, ne branchez pas le cordon d'alimentation si la lampe est connectée directement au secteur.



AVERTISSEMENT : Posez le capuchon d'embout avant de mettre sous tension.



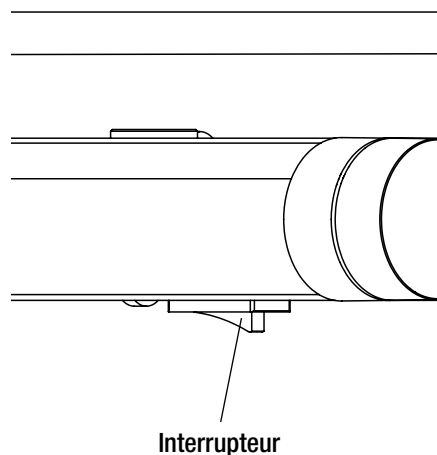
Installation (suite)

5 Utilisation de la lampe

- Utilisez l'interrupteur de la lampe pour contrôle l'éclairage.
- Si les lampes sous armoire sont reliées à un gradateur, utilisez le gradateur pour régler l'intensité lumineuse.



NOTE: Avec un gradateur, la chaleur de la lumière varie de 3000K à 2000K.

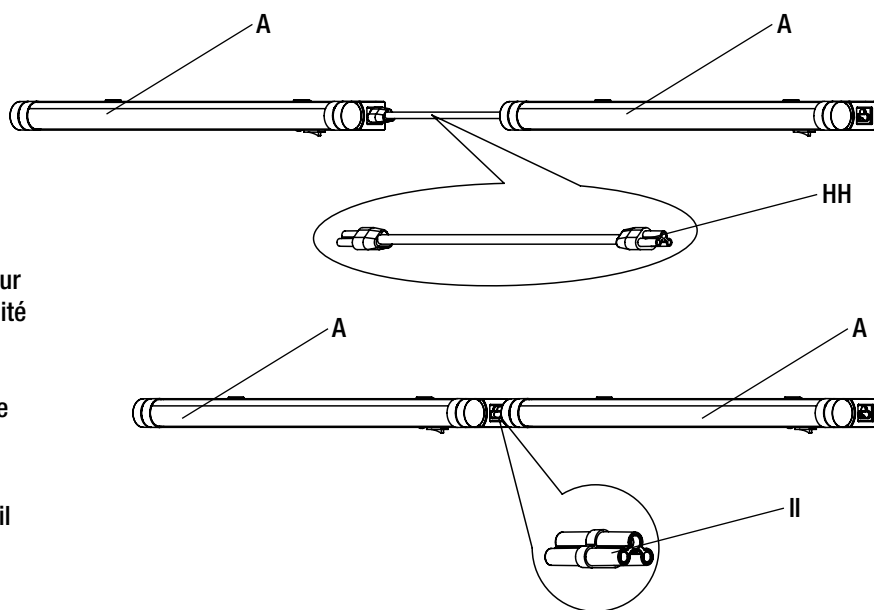


Option de connexion en chaîne



AVERTISSEMENT : RISQUE DE CHOC ÉLECTRIQUE. Coupez le courant à la lampe sous l'armoire avant d'y brancher d'autres lampes sous l'armoire

- Vous pouvez interconnecter plusieurs lampes jusqu'à concurrence de 300 watts au total. Seule la première lampe doit être branchée dans une prise électrique ou connectée directement.
- Ne mettez les lampes sous tension qu'une fois toutes les interconnexions complétées.
- Connectez chaque lampe additionnelle à l'aide d'un fil de raccordement (HH) ou d'un connecteur bout-en-bout (II). Enlevez le couvercle d'extrémité et branchez le connecteur bout-en-bout (II) ou le fil de raccordement (HH) dans la prise de lampe sous armoire (A). Si vous utilisez un fil de raccordement (HH), la distance maximale entre deux lampes est de 37 cm.
- Si désiré, utilisez les agrafes (CC) pour fixer le fil de raccordement (HH) sous l'armoire.

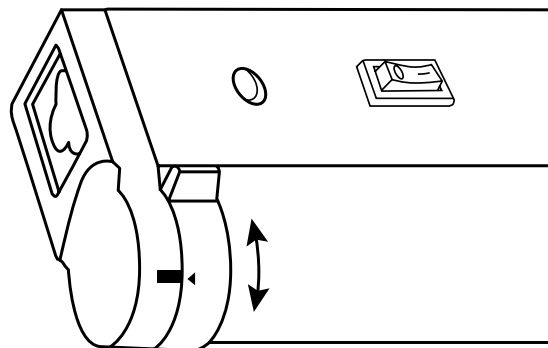


Modèle n°	N° de pièce	Nombre maximal d'interconnexions
53505111	UC-32-10-930-SV-D	18
53506111	UC-42-15-930-SV-D	14

Ajustement du faisceau

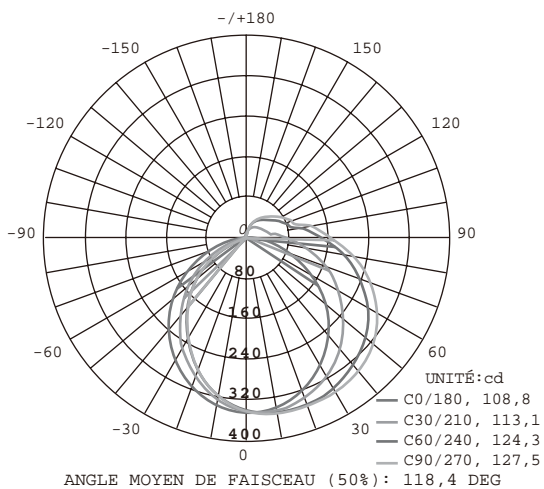
- Ajustez l'angle d'éclairage vers la surface inférieure simplement en tournant les pattes à chaque extrémité de la lampe sous armoire (A) pour obtenir la position désirée.

NOTE: La puissance d'éclairage minimale est de 60 % des lumens totaux avec un faisceau ajusté à un angle de 22.5°.

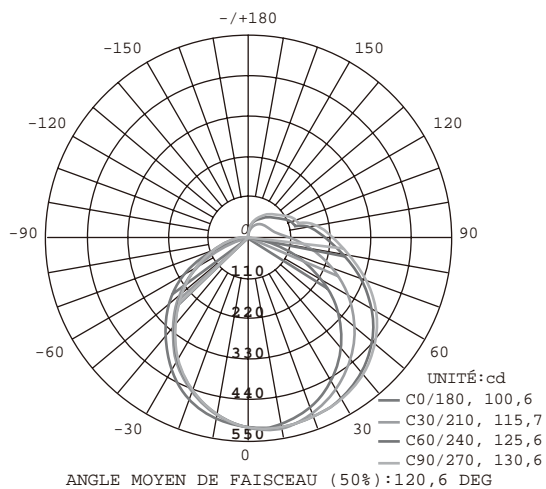


Distribution de la lumière

53505111



53506111



Entretien et nettoyage



MISE EN GARDE : Avant le nettoyage, coupez l'alimentation au luminaire en plaçant le disjoncteur en position hors tension ou en enlevant le fusible de la boîte à fusibles.

- Nettoyez le luminaire à l'aide d'un linge doux et sec.
- N'utilisez pas de nettoyants contenant des produits chimiques, des solvants ou des produits abrasifs puissants.
- N'utilisez pas de nettoyant liquide sur la DEL, le pilote de la DEL, ou les fils à l'intérieur du luminaire.

Dépannage



AVERTISSEMENT: Coupez le courant au luminaire avant d'effectuer tout entretien.

Les problèmes mineurs peuvent souvent être réglés sans l'aide d'un électricien.

Problème	Cause Possible	Mesure Corrective
Le luminaire ne s'allume pas.	Le luminaire est hors tension.	Vérifiez l'alimentation électrique.
	Le disjoncteur est en position d'arrêt.	Assurez-vous que le disjoncteur est à la position « ON ».
	Les fils sont mal branchés.	Assurez-vous que les fils sont bien branchés. Faites appel à un électricien qualifié.
	Un interrupteur est défectueux.	Faites appel à un électricien qualifié.
Le fusible saute ou le disjoncteur se déclenche lorsque le luminaire est mis sous tension.	Les fils sont croisés ou un fil d'alimentation est mis à la terre.	Assurez-vous que les fils sont bien branchés. Faites appel à un électricien qualifié ou téléphonez au service à la clientèle de ETi Solid State Lighting, Inc. au 1 855 384-7754.
La lampe clignote ou vrombit.	Le circuit gradateur n'est pas compatible avec le produit.	Vous trouverez une liste des gradateurs compatibles dans la page sur les produits à www.ETiSSL.com . Tournez ou faites glisser la commande du gradateur pour ajuster l'intensité jusqu'à ce que le clignotement ou le vrombrissement cesse.
	Le circuit gradateur est réglé hors de la plage d'intensité variable du produit.	



Questions, difficultés, pièces manquantes?
Téléphonez au service à la clientèle de ETi SSL Customer Service
9 a.m. – 5 p.m., HNE, du lundi au vendredi,
1-855-ETI-SSL (1-855-384-7754)

WWW.ETISSL.COM

Conservez ce manuel pour référence ultérieure

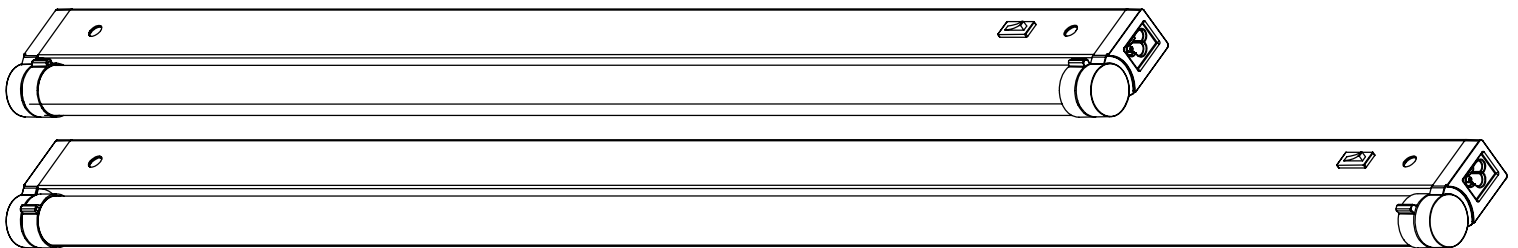


**SOLID STATE[®]
LIGHTING
INC.**

Pedido # 53505111, 53506111
Parte # UC-32-10-930-SV-D, UC-42-15-930-SV-D
Certificación # 53505111, 53506111

GUÍA DE USO Y CUIDADO

LÁMPARA LED DEBAJO DE GABINETE CON HAZ DE LUZ AJUSTABLE Y OPCIÓN DE INSTALACIÓN MAGNA MOUNT™



¿Preguntas, problemas, piezas faltantes?

Llame al Centro de Atención al Cliente de ETi SSL

9 a.m. – 5 p.m., Hora del Este de EE.UU., de lunes a viernes.

1-855-ETI-SSL (1-855-384-7754)



WWW.ETISSL.COM



GRACIAS

Apreciamos la confianza que ha puesto en ETi al comprar este dispositivo de luz LED. Nos esforzamos por crear constantemente productos diseñados para dar realce a su hogar. Visítenos en línea para ver nuestra gama completa de productos disponibles para sus necesidades al momento de hacer mejoras en su hogar. ¡Muchas gracias por elegir a ETi!

Contenido

Contenido	22	Instalación	24
Información sobre seguridad	22	Opciones de montaje	24
Garantía	22	Opciones de suministro de energía	25
Previo a la instalación	23	Opción de enlace	27
Planificación de la instalación	23	Función de ajuste del haz	28
Herramientas necesarias	23	Distribución de la luz	28
Contenido del paquete	23	Solución de problemas	29
Materiales incluidos	23	Cuidado y limpieza	29

Información sobre seguridad



PRECAUCIÓN: Para reducir el riesgo de incendio, descargas eléctricas o lesiones a las personas:

- Utilice sólo grapas aisladas o corbatas de plástico para asegurar los cables;
- Pase y asegure los cables de modo que no se pellizquen o dañen cuando el armario se empuja a la pared;
- No utilice para la instalación empotrada en techos o soffitos.



PRECAUCIÓN: El Código Nacional de Electricidad (NEC, por sus siglas en inglés) no permite ocultar cables donde no puedan observarse los daños en el aislamiento. Para evitar el peligro de incendio, no instale cables detrás de muros, cielorrasos, soffitos, o armarios donde no puedan examinarse. Periódicamente debe realizarse una evaluación visual de los cables y deben reemplazarse inmediatamente cuando se observe algún daño.



PRECAUCIÓN: Cantidad máxima de unidades que pueden interconectarse:

53505111 (parte inferior de alacenas de 32 pulg.): puede interconectarse una cantidad máxima de 18 unidades
53506111 (parte inferior de alacenas de 42 pulg.): puede interconectarse una cantidad máxima de 14 unidades
La distancia máxima entre unidades que desean interconectarse es 14.5 pulg.



PRECAUCIÓN: To prevent electric shock, match wide blade of the plug to the wide slot and fully insert into the electrical outlet.

AVISO: Este equipo ha sido sometido a prueba y se halló que cumple con los límites establecidos para la clase B de dispositivos digitales, conforme a la Parte 15 de las Normas de FCC.

Estos límites se establecen para brindar protección razonable contra interferencia dañina en una instalación residencial. Este equipo genera, utiliza y puede irradiar energía de frecuencias de radio y, si no se instala conforme a las instrucciones, puede provocar interferencia dañina a las comunicaciones de radio.

A pesar de esto, no existe garantía de que la interferencia no se produzca en una instalación en particular.

Si este equipo produce interferencia dañina a la recepción de radio o televisión, lo que puede determinarse encendiendo y apagando el equipo, se insta al usuario a intentar corregir la interferencia mediante uno de los siguientes métodos:

- Cambie la orientación o ubicación de la antena receptora.
- Aumente la separación entre el equipo y el receptor.
- Conecte el equipo en un enchufe que esté en un circuito diferente al cual está conectado el receptor.
- Consulte con el representante o con un técnico experimentado en radio y televisión para solicitar asistencia.



ADVERTENCIA: Los cambios o modificaciones que no estén expresamente aprobados por la parte responsable del cumplimiento anulan la autoridad del usuario de operar el equipo.

Garantía

Este producto está garantizado por un periodo de 5 años desde la fecha de original compra contra defectos en el material y mano de obra. Si este producto no funcionara bien debido a defectos en el material o mano de obra dentro de los 60 meses desde su adquisición, visite www.ETISSL.com para obtener detalles. Este producto se reparará o sustituirá a discreción de ETi. Esta garantía está expresamente limitada a la reparación o sustitución del producto y la responsabilidad por daños directos, incidentales o remotos queda por la presente, expresamente excluida. Algunos estados no permiten la exclusión de daños directos, incidentales o remotos, por lo tanto la limitación de exclusión expresada arriba puede no aplicarse en su caso. Esta garantía le otorga al cliente derechos legales específicos, que pueden variar en los distintos estados. LA GARANTÍA QUEDARÁ ANULADA SI EL PRODUCTO NO SE UTILIZA PARA EL PROPÓSITO PARA EL CUAL FUE FABRICADO.

Previo a la instalación

DESCRIPCIÓN DEL PRODUCTO Y CARACTERÍSTICAS

El dispositivo de luz LED puede instalarse directamente en la parte inferior de una alacena o muro y no ocupa mucho lugar. Ahorra energía, es ecológico y se utiliza para emitir una luz de distribución uniforme y suave.

PLANIFICACIÓN DE LA INSTALACIÓN

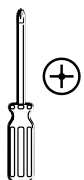
Antes de comenzar el armado, la instalación o antes de operar el producto, asegúrese de que tiene todas las piezas. Compare las piezas con la lista del contenido incluida. Si falta alguna pieza o si está dañada, no comience a armar, instalar, ni operar el producto. Comuníquese con el servicio al cliente para el reemplazo de las piezas.



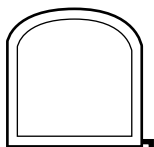
NOTA: Guarde el recibo de compra y estas instrucciones como prueba de compra.

Si no está familiarizado con las instalaciones eléctricas, le recomendamos que haga que un electricista calificado se ocupe de la instalación. Identifique el sitio en el que desea instalar el dispositivo LED para asegurarse de que tiene suficiente espacio en la alacena.

HERRAMIENTAS NECESARIAS



Destornillador
Phillips



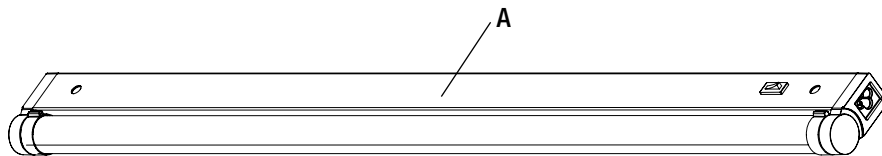
Cinta métrica



Taladro eléctrico con
broca de 1/8 pulg.

CONTENIDO DEL PAQUETE

Pieza	Descripción	Cantidad
A	Dispositivo de iluminación para la parte inferior de alacenas	1



MATERIALES INCLUIDOS



NOTA: Los materiales no se ilustran en tamaño real.

Pieza	Descripción	Cantidad
AA	Liberador de tensión	1
BB	Tórica	4
CC	Broche en cable	2
DD	Tornillo de montaje (largo)	2
EE	Anclaje para pirca	4
FF	Cubierta de caja eléctrica	1
GG	Cable eléctrico de 5 pies	1
HH	Cable de enlace de 14.5 pulg.	1
II	Conector de extremo a extremo	1
JJ	Tornillo de montaje (corto)	4



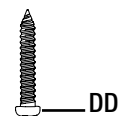
AA



BB



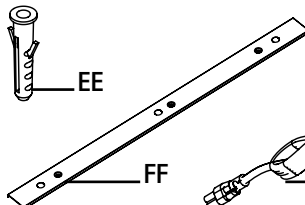
CC



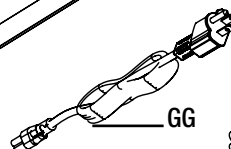
DD



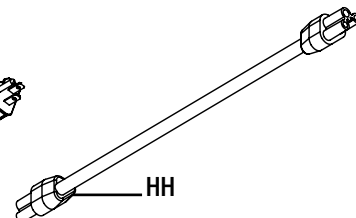
EE



FF



GG



HH



II



JJ

Instalación



ADVERTENCIA: RIESGO DE DESCARGA ELÉCTRICA. Asegúrese de cortar el suministro eléctrico en los cables con los que trabajará. Extraiga los fusibles o apague el cortacircuitos antes de quitar el aparato de iluminación existente o instalar uno nuevo.

Si reemplaza una lámpara de cable directo existente, corte el suministro eléctrico a la caja eléctrica y retire la lámpara existente. Haga un boceto de cómo se fija la luminaria actual (por el color de los alambres) o marque los alambres con una cinta y un lápiz así que usted sabrá reconectar correctamente los alambres a la nueva luminaria LED.

Opciones de montaje

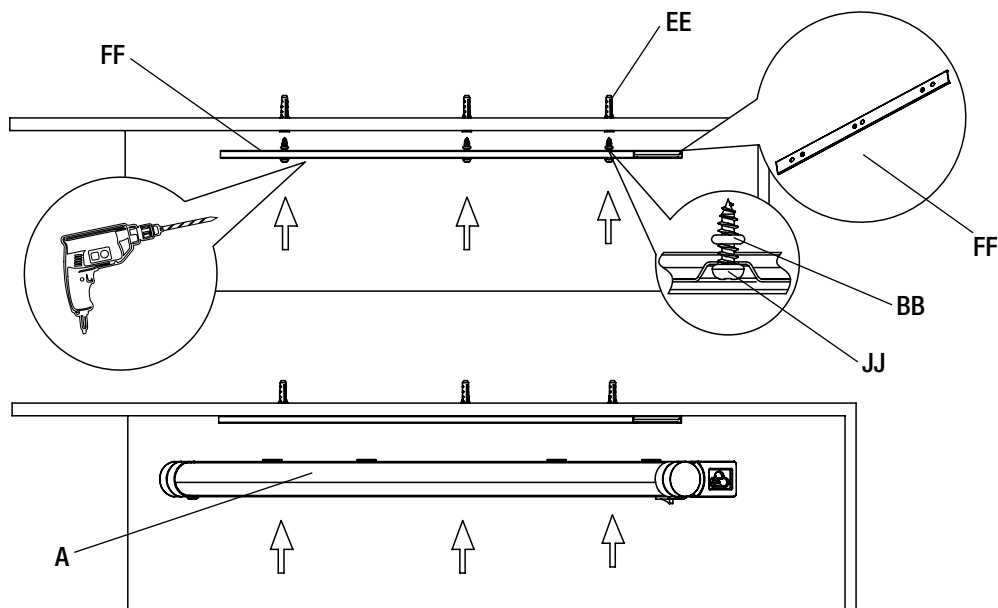
Esta lámpara debajo de gabinete se puede instalar fijando directamente a la parte inferior del gabinete de madera con tornillos o instalando la placa de montaje MagnaMount™ y fijando la lámpara a la placa magnética.

1 Instalación usando la placa de montaje MagnaMount™

- Coloque la placa de montaje (FF) contra la parte inferior del gabinete donde desea montar la lámpara y marque la ubicación de los tres agujeros de tornillo (modelo #53505111) o cuatro agujeros de tornillo (modelo #53506111) con un lápiz. Retire la placa de montaje (FF) una vez que la ubicación ha sido marcada.
- Coloque un tornillo de montaje corto (JJ) en el orificio de un extremo de la placa de montaje (FF) y coloque una tórica (BB) en el extremo del tornillo de montaje (JJ) para sujetarlo en su lugar. Repita con los tornillos de montaje (JJ) restantes.
- Si se fija al panel de yeso en lugar de debajo de un gabinete, taladre agujeros guía y golpee los anclajes de paneles de yeso (EE) en las posiciones de los tornillos.
- Sujete la placa de montaje (FF) contra el gabinete, ajustándola a las posiciones de los tornillos a los lugares marcados en la parte inferior del gabinete.
- Use una herramienta eléctrica para apretar los tornillos de montaje (JJ).
- Coloque la lámpara debajo de gabinete (A) en la placa de montaje MagnaMount™ (FF) y ajuste la alineación según sea necesario.



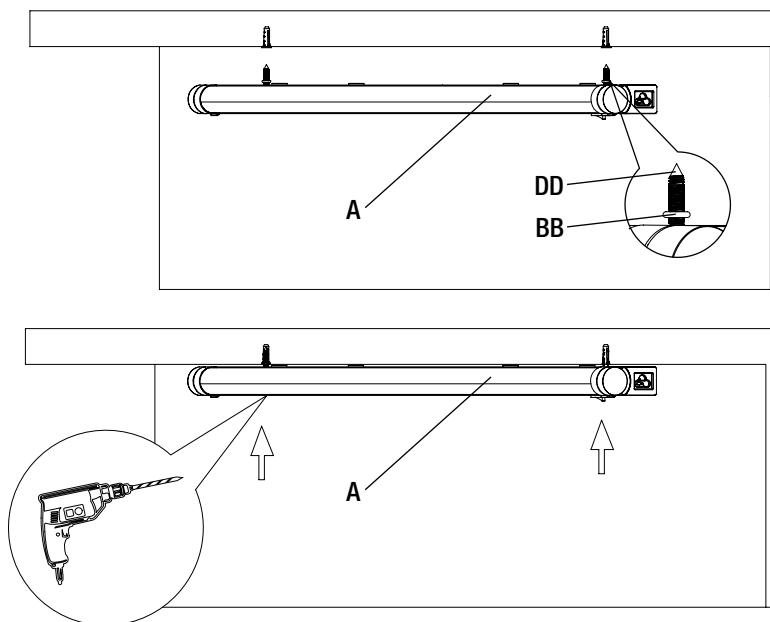
NOTA: Instalar la placa de montaje MagnaMount del modelo 53505111 requiere sólo 3 de los 4 tornillos de montaje cortos. Por otro lado, el modelo 53506111 requiere los 4 tornillos de montaje cortos.



Instalación (continuación)

2 Instalación directamente debajo del gabinete

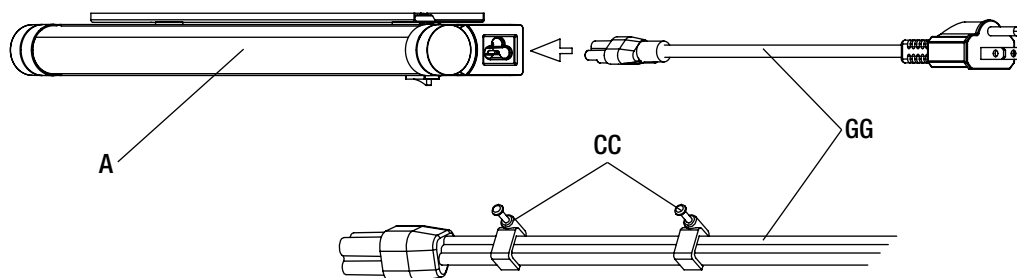
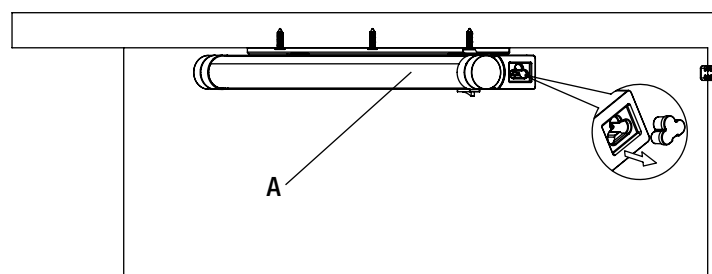
- Identifique y marque la ubicación deseada para la lámpara LED.
- Si se fija al panel de yeso en lugar de debajo de un gabinete, taladre agujeros guía y golpee los anclajes de paneles de yeso (EE) en las posiciones de los tornillos.
- Coloque un tornillo de montaje largo (DD) en el orificio de un extremo de la lámpara LED debajo de gabinete (A) y coloque una tórica (BB) en el extremo del tornillo de montaje para sujetarlo en su lugar. Repita con el segundo tornillo de montaje largo (DD) en el otro extremo de la lámpara debajo del gabinete (A).
- Sujete la lámpara debajo de gabinete (A) hasta el gabinete, ajustando la posición de los tornillos a los lugares marcados en la parte inferior del gabinete.
- Utilice una herramienta eléctrica para apretar el tornillo de montaje (DD) en cada extremo de la lámpara debajo de gabinete.



Opciones de suministro de energía

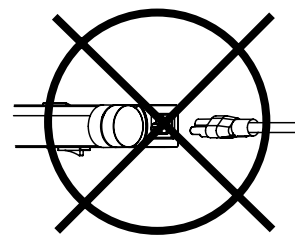
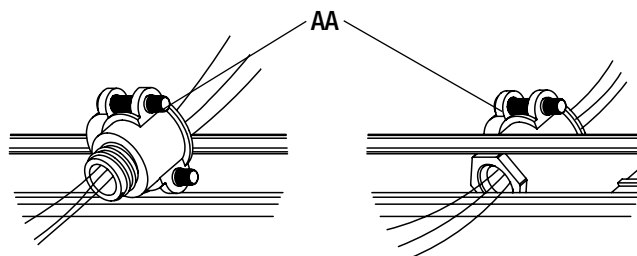
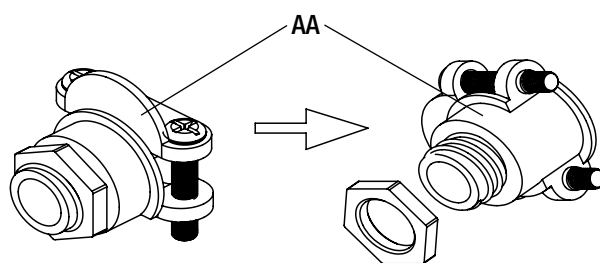
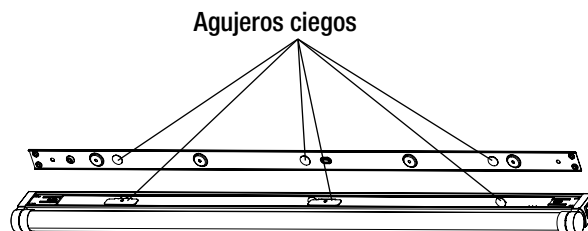
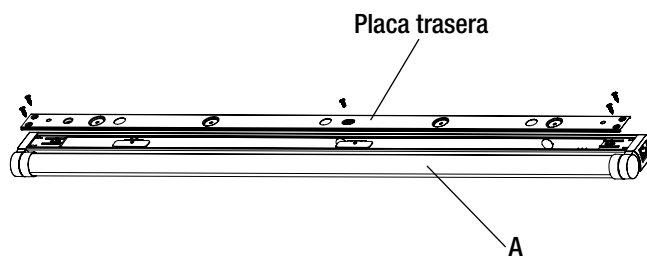
3 Conexión del cable eléctrico

- Retire la tapa del extremo “encendido” de la lámpara debajo de gabinete (A).
- Conecte el cable eléctrico (GG) a la lámpara instalada debajo del gabinete (A).
- Utilice broches (CC) para fijar el cable eléctrico (GG) a la parte inferior del gabinete, si lo desea.



4 Conexiones eléctricas directas

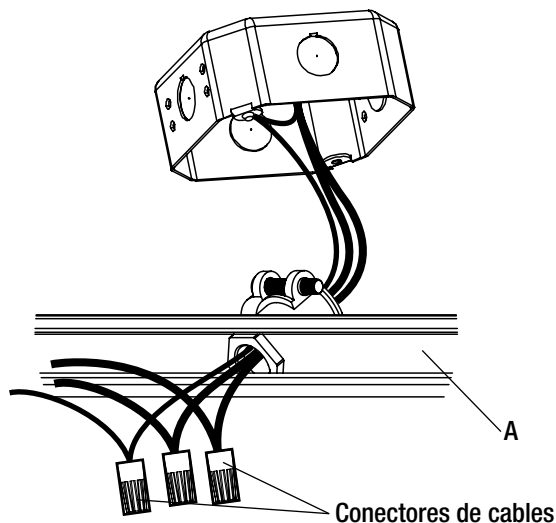
- Quite los cinco tornillos en la parte trasera de la lámpara debajo del gabinete (A) y abra la placa trasera de la lámpara.
- Determine qué agujero ciego en la placa trasera de la lámpara debajo del gabinete (A) estará más cerca de los cables de suministro de energía y usa un destornillador para quitar el agujero ciego.
- Inserte el extremo roscado del liberador de tensión (AA) a través del agujero ciego desde el exterior.
- Pase el látigo flexible o el cable NM de suministro de energía a través del liberador de tensión (AA) en la placa trasera de la lámpara debajo del gabinete (A) y apriete el liberador de tensión hasta que quede segura.
- Conecte los cables principal y neutro (negro y blanco) de la caja de suministro de energía a los cables del mismo color de la caja eléctrica.
- Conecte el cable verde de la caja de suministro de energía al cable de conexión a tierra de la caja eléctrica.
- Envuelva los conexiones de cables con conectores de cables (no incluidos) y cinta aislante (non incluida).
- Inserte todas las conexiones de cable en el compartimiento de cables en la lámpara debajo del gabinete (A) y coloque la placa trasera de la lámpara debajo del gabinete con los cinco tornillos retirados anteriormente.



ADVERTENCIA: No enchufe el cable eléctrico cuando la lámpara esté conectado directamente a el suministro de energía para evitar una situación peligrosa.



ADVERTENCIA: Enchufe la tapa final antes de conectar la corriente.



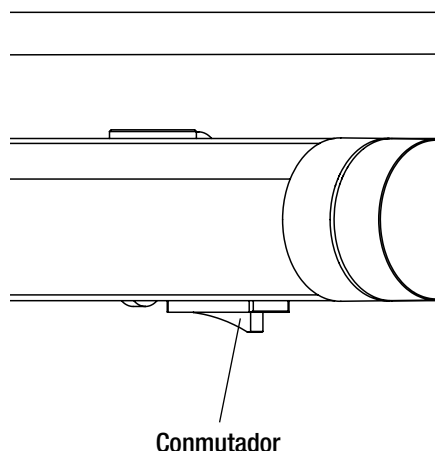
Instalación (continuación)

5 Funcionamiento de la lámpara

- Utilice el conmutador en la lámpara para controlar las lámparas.
- Si las lámparas debajo de gabinete instaladas en un circuito de atenuación, utilice el interruptor del atenuador para ajustar el brillo.



NOTA: El color de la luz se calienta desde 3000K a 2200K cuando se atenúan.

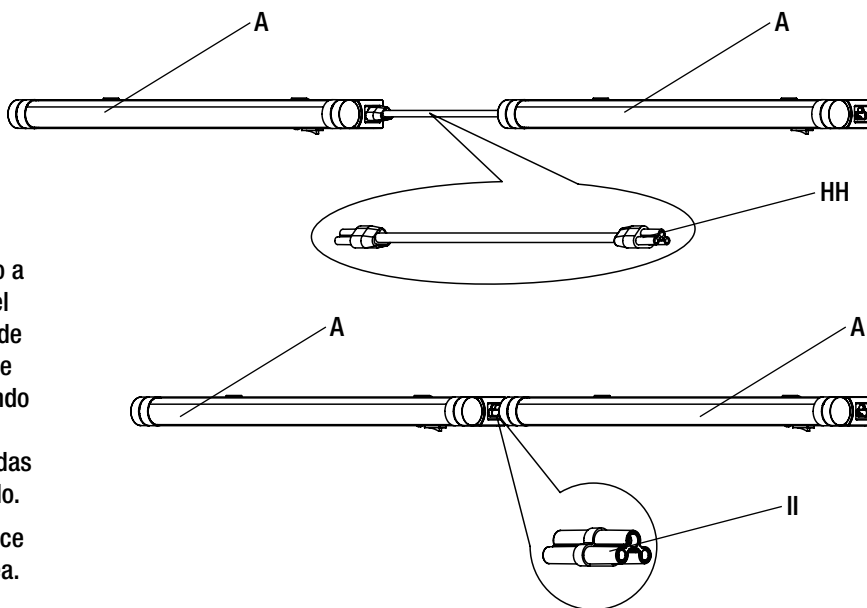


Opción de enlace



ADVERTENCIA: RIESGO DE DESCARGA ELÉCTRICA. Corte el suministro eléctrico a la lámpara debajo del gabinete antes de conectar las lámparas debajo del gabinete adicionales.

- Se pueden conectar múltiples lámparas, hasta un máximo de 300 vatios totales. Solo la primera lámpara debe enchufarse a una toma de corriente o cableada directamente.
- Proporcione energía a las lámparas sólo después de que todas las conexiones de enlace se hayan hecho.
- Conecte cada lámpara adicional utilizando el cable de enlace (HH) o el conector de extremo a extremo (II). Retire la cubierta final e inserte el conector de extremo a extremo (II) o el cable de enlace (HH) en el receptáculo en el extremo de cada lámpara debajo del gabinete (A). Cuando se utiliza el cable de enlace (HH), la distancia máxima entre dos lámparas es de 14,5 pulgadas utilizando el cable de enlace (HH) suministrado.
- Utilice broches (CC) para fijar el cable de enlace (HH) a la parte inferior del gabinete, si lo desea.



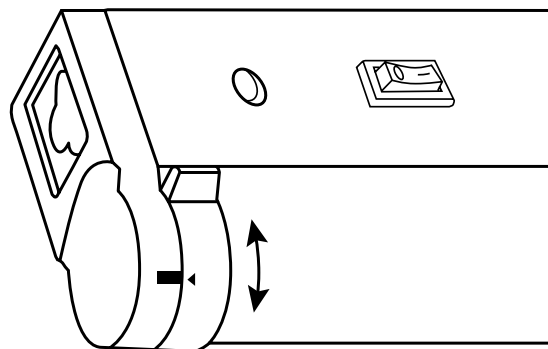
Modelo #	Pieza No.	Cantidad máxima de unidades
53505111	UC-32-10-930-SV-D	18
53506111	UC-42-15-930-SV-D	14

Función de ajuste del haz

- Ajuste el ángulo de luz al área de la superficie debajo donde se desea luz, girando las lengüetas en cada extremo de la lámpara debajo del gabinete (A) a la posición deseada.

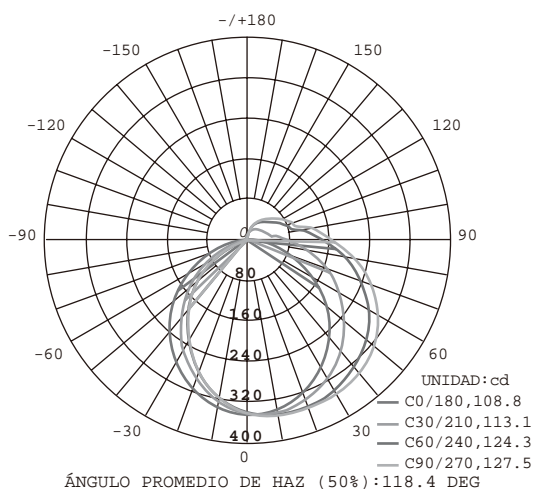


NOTA: Un mínimo de 60% de la producción total lumen se logra en un ángulo de haz ajustable de 22,5°.

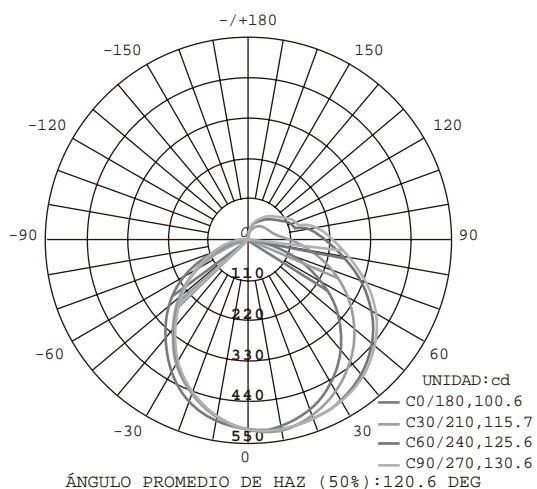


Distribución de la luz

53505111



53506111



Cuidado y limpieza



PRECAUCIÓN: Antes de limpiar el aparato, desconecte el suministro eléctrico hacia este apagando el cortacircuitos o extrayendo el fusible de la caja de fusibles.

- Limpie el aparato con un paño suave y seco.
- No utilice limpiadores con productos químicos, solventes o abrasivos.

Solución de problemas



ADVERTENCIA: Antes de realizar cualquier trabajo en el aparato, desconecte la electricidad que la alimenta.

Los problemas menores pueden arreglarse sin ayuda de un electricista.

Problema	Posible causa	Medida correctiva
La lámpara no enciende.	El suministro eléctrico está cortado.	Asegúrese de que el suministro eléctrico esté activado.
	El interruptor está apagado.	Asegúrese de que el interruptor esté en la posición de encendido.
	Hay una mala conexión.	Revise para asegurarse de que se hayan conectado los cables de forma correcta. Comuníquese con un electricista calificado.
	Hay un interruptor defectuoso.	Comuníquese con un electricista calificado.
El fusible se quema o salta el interruptor cuando se enciende la lámpara.	Los cables están cruzados o el cable de suministro eléctrico no está puesto a tierra.	Verifique las conexiones de los cables. Comuníquese con un electricista calificado o llame al Centro de Atención al Cliente de ETi Solid State Lighting, Inc. 1-855-384-7754.
La lámpara parpadea o emite un zumbido.	El circuito de atenuación no es compatible con el producto.	Consulte la página de productos en www.ETiSSL.com para obtener una lista de atenuadores compatibles.
	El circuito de regulación se establece fuera del rango de atenuación del producto.	Gire o deslice el interruptor de atenuación para ajustar la salida de luz hasta que el parpadeo o el zumbido se detenga.



**¿Preguntas, problemas, piezas faltantes?
Llame al Centro de Atención al Cliente de ETi SSL
9 a.m. – 5 p.m., Hora del Este de EE.UU., de lunes a viernes.
1-855-ETI-SSL (1-855-384-7754)**

WWW.ETISSL.COM

Conserve este manual para uso futuro.