



LED VANITY LINEAR

LVF23 series

► **DESIGN** - LED VANITY LINEAR has a sleek, modern design that allows you to have a stylish look with efficient lighting. Durable housing resistant to rust and impact provides many years of service. The acrylic lens with a 150° beam angle grants you even light distribution. It is designed to operate on 120V circuits.

► **COLOR SELECTABLE** - You can choose either a 3,000K warm white, 4,000K cool white or 5,000K daylight color temperature.

► **DIMMING** - Smooth triac dimming capabilities ranging from 10% to 100% with modern LED dimmers allow you to control the look and feel of your space.

► **APPLICATION** - This fixture creates a bright light that is perfect for bathroom spaces or any other common areas. It is also Damp Locations rated. Can be installed vertically and horizontally.

► **ADVANTAGES** - With a lifespan of 50,000 hours, these fixtures are made to last decades under normal operation! ASD provides a 5-year limited warranty along with ETL and Energy Star certifications to guarantee top quality products and safety!

Catalog number	
Notes	
Type	



Finish: Nickel Black

Model	Size	Watts	Voltage	Dimmable	Lumens	CCT	Finish	Dimensions (LxWxH)
ASD-LVF23-18D20CC-NK	18 inch	20W	120 V	TRIAC	1,600/1,789/1,713 lm	3CCT (3,000/4,000/5,000 K)	Nickel	18" x 4-1/2" x 3"
ASD-LVF23-18D20CC-BK	18 inch	20W	120 V	TRIAC	1,600/1,789/1,713 lm	3CCT (3,000/4,000/5,000 K)	Black	18" x 4-1/2" x 3"
ASD-LVF23-24D25CC-NK	24 inch	25W	120 V	TRIAC	2,300/2,574/2,486 lm	3CCT (3,000/4,000/5,000 K)	Nickel	24" x 4-1/2" x 3"
ASD-LVF23-24D25CC-BK	24 inch	25W	120 V	TRIAC	2,300/2,574/2,486 lm	3CCT (3,000/4,000/5,000 K)	Black	24" x 4-1/2" x 3"
ASD-LVF23-36D30CC-NK	36 inch	30W	120 V	TRIAC	2,900/2,972/3,141 lm	3CCT (3,000/4,000/5,000 K)	Nickel	36" x 4-1/2" x 3"
ASD-LVF23-48D35CC-NK	48 inch	35W	120 V	TRIAC	3,592/3,793/3,812 lm	3CCT (3,000/4,000/5,000 K)	Nickel	47-5/16" x 4-1/2" x 3"

ORDERING INFORMATION

Model	UPS	Pcs. per carton	Carton size	Carton weight	GTIN 14
ASD-LVF23-18D20CC-NK	810050731355	4	20.3" x 10.6" x 8.7"	8.3 lbs	30810050731356
ASD-LVF23-18D20CC-BK	810128113915	4	20.3" x 10.6" x 8.7"	8.3 lbs	10810128113912
ASD-LVF23-24D25CC-NK	810050731362	4	26.2" x 8.7" x 10.6"	10 lbs	30810050731363
ASD-LVF23-24D25CC-BK	810128113922	4	26.2" x 8.7" x 10.6"	10 lbs	10810128113929
ASD-LVF23-36D30CC-NK	810050732253	4	38.2" x 8.7" x 10.6"	12.6 lbs	30810050732254
ASD-LVF23-48D35CC-NK	810128112130	4	49.8" x 10.6" x 8.7"	17.9 lbs	10810128112137

For most up-to-date spec sheets please refer to asd-lighting.com

ASD LIGHTING CORP

E-mail: orders@asd-lighting.com | Web site: www.asd-lighting.com





LED VANITY LINEAR

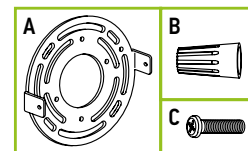
LVF23 series

PRODUCT SPECIFICATIONS:

Construction & Materials		
Housing	Steel	
Lens	Acrylic	
Finish	Nickel, Black	
Weight	ASD-LVF23-18D20CC-NK	1.3 lbs (0.6 kg)
	ASD-LVF23-18D20CC-BK	
	ASD-LVF23-24D25CC-NK	1.6 lbs (0.7 kg)
	ASD-LVF23-24D25CC-BK	
	ASD-LVF23-36D30CC-NK	2.1 lbs (1 kg)
ASD-LVF23-48D35CC-NK	2.8 lbs (1.3 kg)	
Environmental system		
Work environment	Suitable for Damp Locations	
Operating temperature	-4°F to 113°F (-20°C to 45°C)	
L-70 life	> 50,000 hrs	
Optical system		
Luminous flux	ASD-LVF23-18D20CC-NK	1,600/1,789/1,713 lm
	ASD-LVF23-18D20CC-BK	
	ASD-LVF23-24D25CC-NK	2,300/2,574/2,486 lm
	ASD-LVF23-24D25CC-BK	
	ASD-LVF23-36D30CC-NK	2,900/2,972/3,141 lm
ASD-LVF23-48D35CC-NK	3,592/3,793/3,812 lm	
Color temperature	3CCT switch (3,000/4,000/5,000 K), 3,000 K by default	
CRI	> 80	
Electrical system		
Input voltage	120 V	
Max input current	ASD-LVF23-18D20CC-NK	0.19 A
	ASD-LVF23-18D20CC-BK	
	ASD-LVF23-24D25CC-NK	0.28 A
	ASD-LVF23-24D25CC-BK	
	ASD-LVF23-36D30CC-NK	0.27 A
ASD-LVF23-48D35CC-NK	0.29 A	
Inrush current (Action time)	ASD-LVF23-18D20CC-NK	0.16 A (0.1 S)
	ASD-LVF23-18D20CC-BK	
	ASD-LVF23-24D25CC-NK	0.2 A (0.1 S)
	ASD-LVF23-24D25CC-BK	
	ASD-LVF23-36D30CC-NK	0.25 A (0.1 S)
ASD-LVF23-48D35CC-NK	0.29 A (0.1 S)	
Off state power	0W	
Power consumption	ASD-LVF23-18D20CC-NK	20W
	ASD-LVF23-18D20CC-BK	
	ASD-LVF23-24D25CC-NK	25W
	ASD-LVF23-24D25CC-BK	
	ASD-LVF23-36D30CC-NK	30W
ASD-LVF23-48D35CC-NK	35W	
Power factor	> 0.9	
Surge protection DM/CM	1.25 kV / 1.25 kV	
Dimming range		
10-100%		
Dimming compatible controls		
Brand	Lutron	Leviton
Models	MACL-153MLH-WH	R02-DW6HD-2RW
	STCL-153PH-WH	R00-RNL06-0TW
	PD-6WCL-WH-R	R68-06674-P0T
	DVCL-153PR	DSL06
	P-PKG1W	
Regular and voluntary certifications		
5-year limited warranty		
Energy Star listed		
cETLus certified 4001256		

PACKAGE CONTENTS:

Description	Q-ty
LED Vanity Linear	1
Mounting bracket (A)	1
Wire nut (B)	3
1/4" screw (C)	2
Box	1



INSTALLATION GUIDE

IMPORTANT SAFETY INFORMATION:

Please read all the instructions below before installation.

- ▶ Make sure that the supply voltage corresponds to the rated product voltage.
- ▶ The product must be installed by a qualified electrician in accordance with the National Electrical Code and corresponding local codes.
- ▶ If the product is damaged, do not use it.

⚠ WARNING

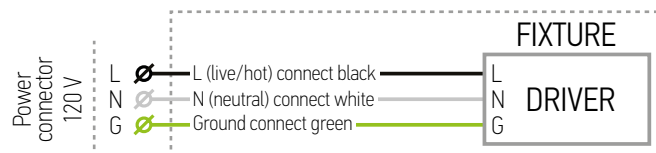
RISK OF PERSONAL INJURY – READ and follow all WARNINGS and installation instructions. Keep or give to the owner for future reference.

Risk of cuts: Wear gloves to prevent cuts or abrasions when removing from carton, handling, installing, and maintaining this product.

Risk of electric shock: This product must be installed in accordance with the applicable installation code by a person familiar with the construction and operation of the product and the hazards involved.

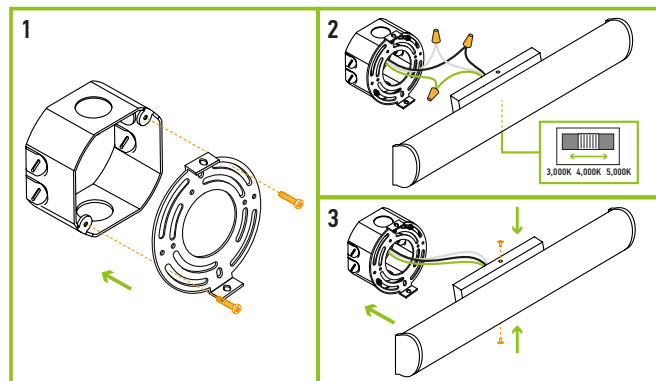
Risk of Fire: Minimum 194°F supply conductors. Consult a qualified electrician to ensure correct branch circuit conductor. ASD® assumes no responsibility for claims arising out of improper or careless installation or handling of this product.

ELECTRICAL SCHEMATIC DIAGRAM:



INSTALLATION STEPS:

1. Pull the power supply wires out of the outlet box. Attach the mounting bracket to the outlet box (not included) using the mounting screws.
2. Connect the wires: black to black, white to white, green to green. Secure the connection with wire nuts. Choose needed color temperature by adjusting switch position on the backside of the fixture.
3. Place the fixture backplate of the fixture body over the mounting bracket. Insert the fixture screws and tighten to secure the fixture body on the surface.



For most up-to-date spec sheets please refer to asd-lighting.com