

LED SECURITY LIGHT INSTALLATION INSTRUCTIONS

READ AND FOLLOW ALL SAFETY INSTRUCTIONS!

WARNING

- Make all electrical and ground connections in accordance with local codes or the National Electrical Code. If you are not familiar with these codes and requirements, consult a qualified electrician. This Professional should be familiar with the construction and operation of this product and hazards involved. Failure to do so may result in serious personal injury.
- To reduce the risk of fire, electric shock, personal injury, or property damage, please read and follow all safety instructions. If you do not understand these instructions or if any additional information is required, contact your local Topaz representative. Retain these instructions for maintenance reference.
- Do not exceed the allowed supply voltage marked on the luminaire label information.
- Disconnect power at the circuit breaker panel before any installation.

CAUTION

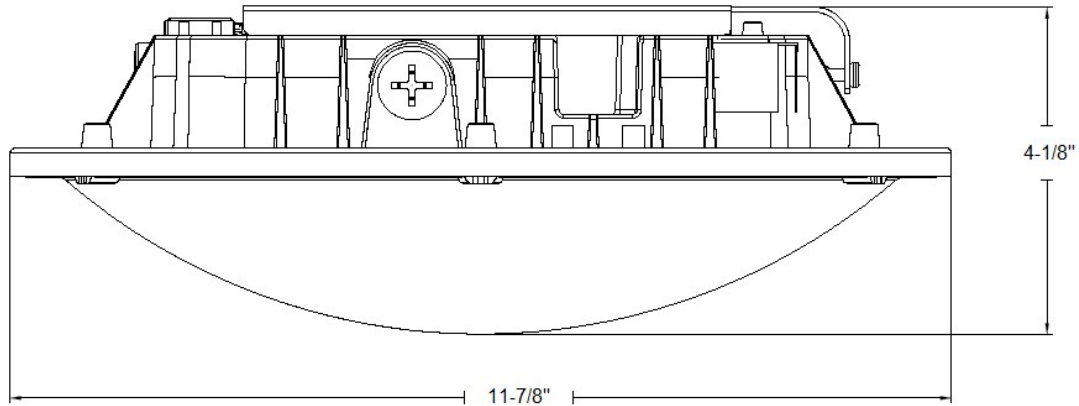
- Do not expose wire to any sharp objects such as sheet metal to prevent wiring damage or abrasion.
- While the light is on, please avoid direct eye exposure.
- Combustible material should be kept away from fixture/LENS.
- Do not make or alter any open holes in any enclosure or any electrical component during installation.
- Do not use when the enclosure is damaged or broken in any way.
- Do not alter, relocate or remove wiring, lamp holder power supply or any other electrical component.

Model	Input Voltage	Frequency	Wattage Range	Rated Current 120Vac	Rated Current 277Vac
CPR-60WPCTS-WH	120Vac - 277Vac	50Hz/60Hz	30W 40W 60W	.26A .35A .53A	.12A .16A .24A
CPR-60WPCTS-BZ	120Vac - 277Vac	50Hz/60Hz	30W 40W 60W	.26A .35A .53A	.12A .16A .24A

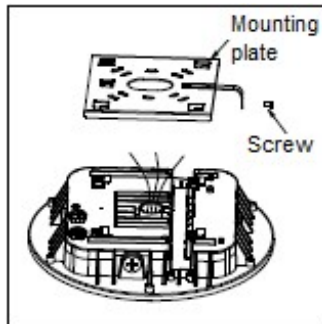
Item:
CPR-60WPCTS-BZ
CPR-60WPCTS-WH



LED SECURITY LIGHT INSTALLATION INSTRUCTIONS

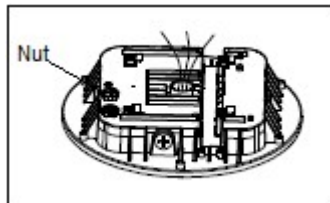


Pre-Installation:



Step 1:

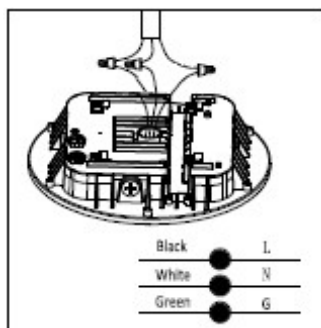
Remove the mounting plate by removing the retainer screw.



Step 2:

Remove the nuts to access the CCT and Power selections. Position switches to the desired settings and replace the nuts.

Pendant Mounting:



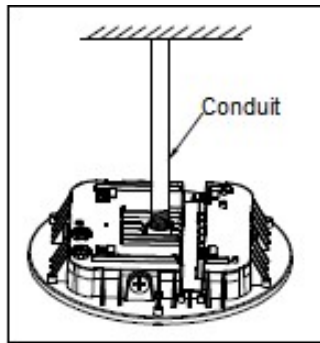
Step 1:

Make sure power is **OFF!!** Wire the fixture Black to Black, White to White, and Green to Green.

Item:
CPR-60WPCTS-BZ
CPR-60WPCTS-WH



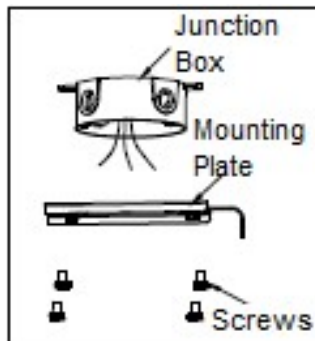
LED SECURITY LIGHT INSTALLATION INSTRUCTIONS



Step 2:

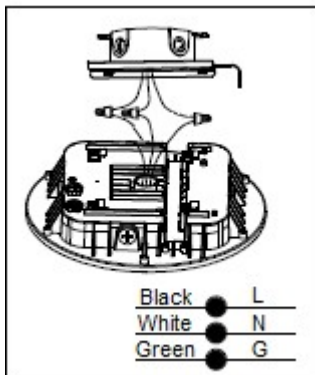
Tighten the conduit into the lighting fixture, be sure to not pinch or crush any wiring.

Junction Box Mounting:



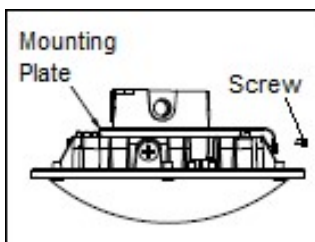
Step 1:

Make sure power is **OFF!!** Fasten the mounting plate to the junction box using the screws supplied with the junction box.



Step 2:

Wire the fixture Black to Black, White to White, and Green to Green.



Step 3:

Slide the fixture onto the mount, and secure in place with the supplied screw.