



LED EXIT INSTALLATION INSTRUCTIONS

Items: ES/LED/RW/B and ES/LED/GW/B

Read and review safety instructions and diagrams before starting installation.

- All electrical connections must be in accordance with local codes, ordinances, and the National Electric code. Installation should be performed by a qualified electrician only
- **Disconnect power at fuse or circuit breaker before installing or servicing.**
- Not for outdoor use.
- Do not mount in hazardous locations, or near gas or electric heaters.
- Do not let power cords touch hot surface.
- Equipment should be mounted in locations and at heights where it will not be subjected to tampering by unauthorized personnel.
- The use of accessory equipment not recommend by the manufacturer may cause unsafe operational condition.
- Do not use this equipment for other than intended use.
- After installation is complete, permit battery to charge 24 hours before full duration test.

MAINTENANCE

None required. Equipment must be tested regularly in accordance with local codes. Replace batteries as needed

OPERATION

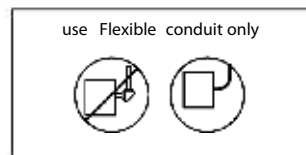
Press the test button. The LED heads will turn on and the LED indicator will turn off. Release the test switch, LED indicator will turn on and the LED heads will turn off.

OPENING EXIT PANEL

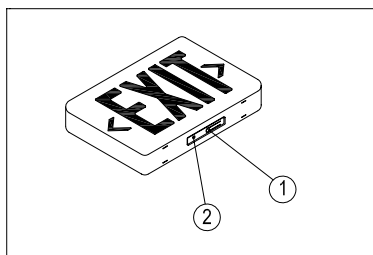
Use flat blade screwdriver to open. Insert screwdriver into the slot and gently pry off the panel.

TROUBLE SHOOTING GUIDE: If LED indicator does not illuminate, check the following;

1. Check AC supply - verify that unit has 24 hours AC supply.
2. Unit is shorted or battery is not connected.
3. Battery discharged. Permit unit to charge for 24 hours, then re-test.
4. If above trouble shooting hints do not solve the issue, contact factory for assistance.



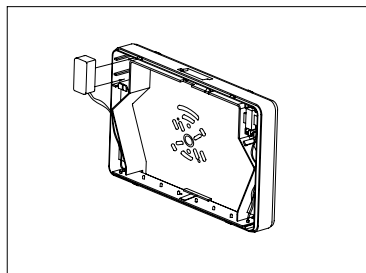
MANUAL TESTING



- 1) Manual battery test switch
- 2) Red LED (indicates normal operation)

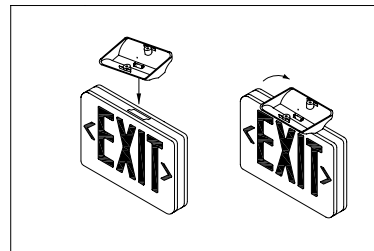
CAUTION

Battery connector is shipped disconnected.
It must be connected at installation.



ASSEMBLING CANOPY TO HOUSING

Insert canopy into housing at a 20 degree angle and twist. Quick snap is now firmly locked.



CAUTION

Trying to remove canopy after it is locked in place may cause damage.





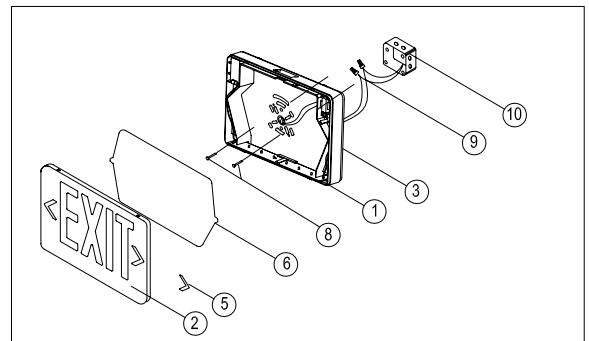
LED EXIT INSTALLATION INSTRUCTIONS

**Items:
ES/LED/RW/B and ES/LED/GW/B**

Back Mounting (see Diagram 1)

1. Drill ¼" holes into oblong knock outs on back plate (3) to correspond with junction box (10) holes to be used
2. Feed the transformer input leads through center hole on housing and make proper connections; for 120VAC, connect black and white leads to line voltage. For 277VAC, connect orange and white leads. Cap off unused wire. If unit is self-powered, be sure to snap battery connector together
3. Feed excess wire into J-Box and secure with back plate
4. Snap in arrows (5) on EXIT panel (2) as required.
5. Connect EXIT face panel (2) to housing; slide top of panel in, then snap in on the bottom

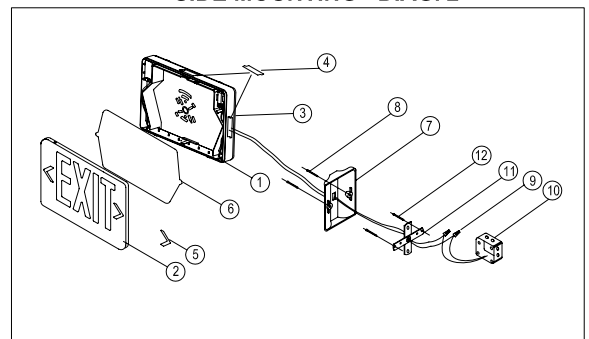
BACK MOUNTING - DIAG. 1



Side Mounting (see Diagram 2)

1. Attach crossbar(11) to junction box(10). Set the crossbar so the longer blade is touching the junction box.
2. Open the EXIT housing. Feed the transformer input leads through side hole, being sure to secure wire into wire guides molded at the edges of the sign.
3. Attach sign to canopy(7) by inserting canopy into sign at an angle, then twist to secure.
4. Make the proper supply lead connections. If using 120VAC, connect the black and white leads to line voltage. If using 277VAC, connect the orange and white leads. Cap off unused wire. If the unit is self-powered, be sure to snap battery connector together.
5. Push excess wire into junction box and align holes in canopy(7) with those in crossbar(11). Using screws supplied, tighten canopy to crossbar so that canopy is securely fastened and flush against wall.
6. Snap in arrows(5) to EXIT panel(2) as required. Then snap EXIT panel(2) to housing, top first and then bottom.

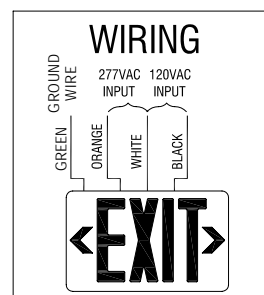
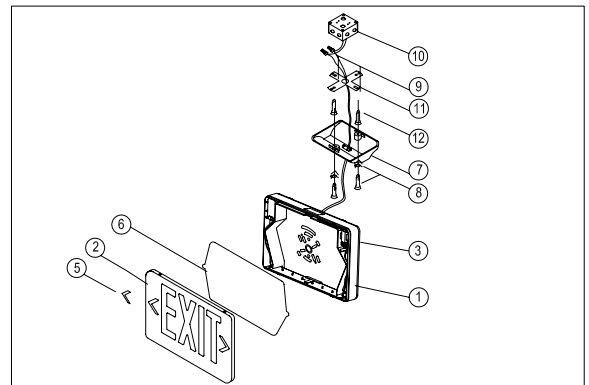
SIDE MOUNTING - DIAG. 2



Ceiling Mounting (see Diagram 3)

1. Attach crossbar(11) to junction box(10). Set the crossbar so that the longer blade is touching the junction box.
2. Open the EXIT housing. Feed the transformer input leads through top hole, being sure to secure wire into wire guides molded at the edges of the sign.
3. Attach sign to canopy by inserting canopy into sign at an angle, then twist to secure.
4. Make the proper supply lead connections. If using 120VAC, connect the black and white leads to the building utility. If using 277VAC, connect the orange and white leads to the building utility. Cap off unused wire. If the unit is self-powered, be sure to snap battery connector together.
5. Push excess wire into junction box and align holes in canopy(7) with those in crossbar(11). Using screws supplied, tighten canopy to crossbar so that canopy is securely fastened and tight against ceiling.
6. Snap in arrows(5) to EXIT panel(2) as required. Then snap EXIT panel to housing, top first and then bottom.

CEILING MOUNTING - DIAG. 3



PARTS DESCRIPTION

- 1) Plastic housing
- 2) EXIT panel
- 3) Back plate
- 4) Mounting hole cover
- 5) Snap in directional arrow
- 6) Red or green diffuser
- 7) Canopy
- 8) Canopy screws
- 9) Wire nuts
- 10) Junction box (building utility)
- 11) Crossbar
- 12) Crossbar screws (not provided)

