

FEATURES

The EX-HD51-X-X-X series junction boxes intend to be used for explosive atmospheres. For general wiring in hazardous locations. Copper free aluminum enclosure. Ex d type flameproof enclosure. Four types of enclosures available. The degree of protection is IP66.



APPLICATION

	UL1203					
	Class I		Class II			
Division	1	2	1	2	1	2
For use in	x	x	x	x	x	x

ORDERING GUIDE

EX-HD51	-□	-□	-□
Ex-proof Light Switch	Product Type: A,B,C,D4,D5,E4,E5, F4,F5,KB1,KYD	Number of entrances: 1,2,2A,2B,3,3A,3B, 4,5,6,7,8	Thread Symbol: M, NPT

TECHNICAL DATA

Certification For EX-HD51-A / B / C / D4 / D5 / E4 / E5 / F4 / F5 series junction box:	Class I, Division 1, Groups A, B, C and D Class I, Division 2, Groups A, B, C and D Class II, Division 1, Groups E, F and G Class II, Division 2, Groups F and G Class III
Certification For EX-HD51-KB1 / KYD series junction box:	Class I, Division 1, Groups C and D Class I, Division 2, Groups A, B, C and D Class II, Division 1, Groups E, F and G Class II, Division 2, Groups F and G Class III
Rated Voltage	Max.800VAC
Rated Current	24A, 32A, 41A
Ambient Temperature	-60°C to + 60°C (-76°F to +140°F)
Type of Flameproof Joint	Type A, B, C, D, E, F: Threaded joints Type KB1: Flanged and threaded joints

SPECIFICATION

The rated voltage of the junction box is 800Vac.

In the final installation, cable entry amounts and terminal information shall comply with following table:

A-5

A-4


Model	Terminal Spec.	Number of Terminal Block	Cable Entry Spec.	Cable Entry Amount.
EX-HD51-A	2.5mm ² / 24A	Max. 5	½" NPT / M20x1.5	Max. 5
	2.5mm ² / 24A, 4mm ² / 32A		¾" NPT / M25x1.5	

B-3A

B-3B


Model	Terminal Spec.	Number of Terminal Block	Cable Entry Spec.	Cable Entry Amount.
EX-HD51-B	2.5mm ² / 24A	Max. 5	½" NPT / M20x1.5	Max. 5
	2.5mm ² / 24A, 4mm ² / 32A		¾" NPT / M25x1.5	

C

D5


Model	Terminal Spec.	Number of Terminal Block	Cable Entry Spec.	Cable Entry Amount.
EX-HD51-C	2.5mm ² / 24A	Max. 12	½" NPT / M20x1.5	Max. 8
	2.5mm ² / 24A	Max. 12	¾" NPT / M25x1.5	
	4mm ² / 32A	Max. 10	¾" NPT / M25x1.5	
	6mm ² / 41A	Max. 8	1" NPT / M32x1.5	

Model	Terminal Spec.	Number of Terminal Block	Cable Entry Spec.	Cable Entry Amount.
EX-HD51-D5	2.5mm ² / 24A	Max. 5	½" NPT / M20x1.5	Max. 5
	2.5mm ² / 24A, 4mm ² / 32A		¾" NPT / M25x1.5	

D4

E5


Model	Terminal Spec.	Number of Terminal Block	Cable Entry Spec.	Cable Entry Amount.
EX-HD51-D4	2.5mm ² / 24A	Max. 5	½" NPT / M20x1.5	Max. 4
	2.5mm ² / 24A, 4mm ² / 32A		¾" NPT / M25x1.5	

Model	Terminal Spec.	Number of Terminal Block	Cable Entry Spec.	Cable Entry Amount.
EX-HD51-E5	2.5mm ² / 24A	Max. 12	½" NPT / M20x1.5	Max. 5
	2.5mm ² / 24A, 4mm ² / 32A	Max. 12	¾" NPT / M25x1.5	
	4mm ² / 32A	Max. 10	1" NPT / M32x1.5	
	4mm ² / 32A, 6mm ² / 41A	Max. 10	1 ¼" NPT / M40x1.5	



E4


Model	Terminal Spec.	Number of Terminal Block	Cable Entry Spec.	Cable Entry Amount.
EX-HD51-E4	2.5mm ² / 24A	Max. 12	½" NPT / M20x1.5	Max. 4
	2.5mm ² / 24A, 4mm ² / 32A	Max. 12	¾" NPT / M25x1.5	
	4mm ² / 32A	Max. 10	1" NPT / M32x1.5	
	4mm ² / 32A, 6mm ² / 41A	Max. 10	1 ¼" NPT / M40x1.5	

F5


Model	Terminal Spec.	Number of Terminal Block	Cable Entry Spec.	Cable Entry Amount.
EX-HD51-F5	2.5mm ² / 24A	Max. 12	½" NPT / M20x1.5	Max. 5
	2.5mm ² / 24A, 4mm ² / 32A		¾" NPT / M25x1.5	
	4mm ² / 32A	Max. 10	1" NPT / M32x1.5	
	4mm ² / 32A, 6mm ² / 41A		1 ¼" NPT / M40x1.5	
	6mm ² / 41A	Max. 9	1½" NPT / M50x1.5	
	6mm ² / 41A		2" NPT / M63x1.5	

F4


Model	Terminal Spec.	Number of Terminal Block	Cable Entry Spec.	Cable Entry Amount.
EX-HD51-F4	2.5mm ² / 24A	Max. 12	½" NPT / M20x1.5	Max. 4
	2.5mm ² / 24A, 4mm ² / 32A		¾" NPT / M25x1.5	
	4mm ² / 32A	Max. 10	1" NPT / M32x1.5	
	4mm ² / 32A, 6mm ² / 41A		1 ¼" NPT / M40x1.5	
	6mm ² / 41A	Max. 9	1½" NPT / M50x1.5	
	6mm ² / 41A		2" NPT / M63x1.5	

KYD

90 Degree
25 Degree

Model	Terminal Spec.	Number of Terminal Block	Cable Entry Spec.	Cable Entry Amount.
EX-HD51-KYD	2.5mm ² / 24A	Max. 4	½" NPT / M20x1.5	Max. 4
	2.5mm ² / 24A, 4mm ² / 27A		¾" NPT / M25x1.5	

KB1

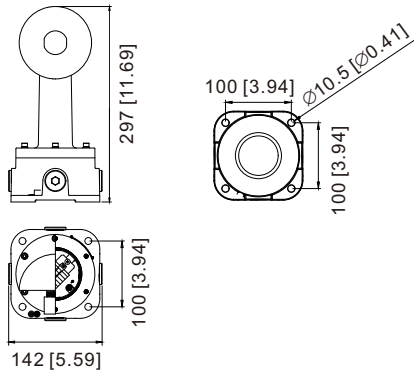

Model	Terminal Spec.	Number of Terminal Block	Cable Entry Spec.	Cable Entry Amount.
EX-HD51-KB1	2.5mm ² / 24A	Max. 4	½" NPT / M20x1.5	Max. 5
	2.5mm ² / 24A, 4mm ² / 27A		¾" NPT / M25x1.5	

DIMENSION

Unit: inch

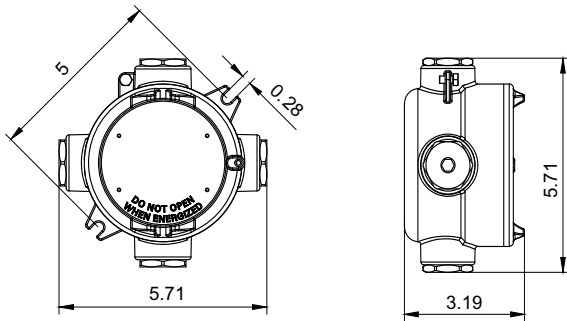
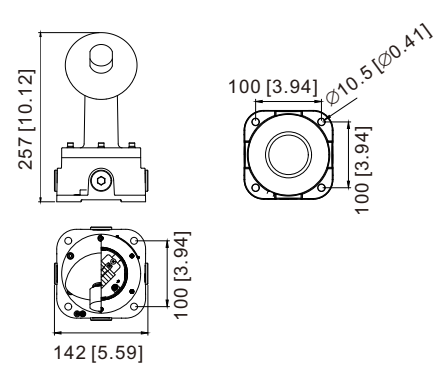
Type KYD 90 Degree

Unit: mm [inch]

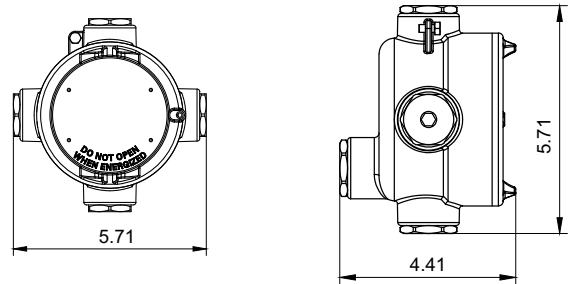


Type KYD 25 Degree

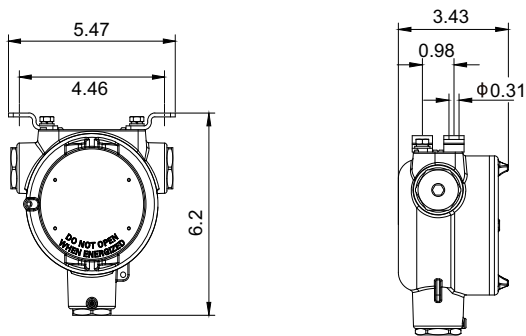
Unit: mm [inch]



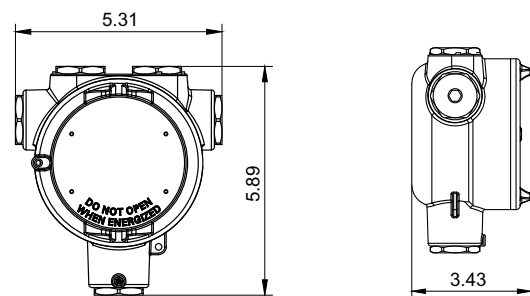
A-1,A-2A,A-2B,A-3,A-4



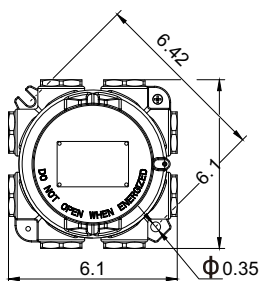
A5



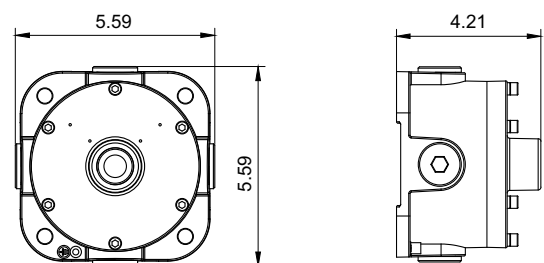
B-3B



B-3A



C



KB1



DIMENSION

Unit: mm/inch

