



STA124

LED Explosion Proof Light



Classifications:

- ⦿  II2 G Ex db eb mb IIC T5/T6 Gb
- ⦿  II2 D Ex tb op is IIIC T95/80°C Db
- ⦿ Ambient Temperature:
 - ⦿ -40°C to 60°C (-40°F to 140°F) (T6, 10W-100W)
 - ⦿ -40°C to 60°C (-40°F to 140°F) (T5, 100W-250W)
 - ⦿ -20°C to 40 °C (-4°F to 104°F) (T6, 10W, in emergency)
- ⦿ IP66/IP67
- ⦿ IK09

LED Explosion Proof Light - STA124

Key Features:



- ① Independent wiring cavity makes wiring more convenient.
- ② Angle disc design, faster installation and more precise adjustment of the aiming angle.
- ③ Stainless steel fasteners, better corrosion resistance.
- ④ Professional fin-shape channel design for faster heat dissipation.
- ⑤ Tempered glass, high light transmittance and impact resistance.

Additional Features:

- ◆ 0-10V dimming control.
- ◆ Beam angles are optional: 40°/60°/90°/120°.
- ◆ 5-year warranty.

Standard Materials:

- ◆ Body: ADC12 aluminum
- ◆ Lens: tempered glass
- ◆ Surface: explosion-proof joint surface

Features & Benefits:

- ① Environmentally Friendly 50,000 hours lifespan.
- ② Low temperature applications to -40°C (-40°F) and high temperature up to 60°C (140°F).
- ③ Best-in-class efficacy up to 120-140 lumens per watt.
- ④ Waterproof and dust-proof, without internal cleaning and maintenance.
- ⑤ Simple structure for easy and quick installation.

LED Explosion Proof Light - STA124

Catalog Number Logic:



1 PRODUCT CATEGORY

- ◆ Explosion proof light

2 WATTAGE

- ◆ 200-250W
- ◆ 10-150W
- ◆ 10-35W
- ◆ 40-70W
- ◆ 80-140W

3 PRODUCT SERIES

- ◆ STA1
- ◆ STA4 A
- ◆ STA4 C
- ◆ STA2
- ◆ STA4 B

4 Y=SENSOR OPTIONS

5 CCT

- ◆ 2700K-7000K

6 BEAM ANGLE

- ◆ 40=40°
- ◆ 60=60°
- ◆ 90=90°
- ◆ 120=120°

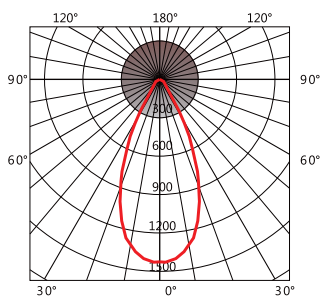
7 GLASS TYPE

- ◆ Tempered glass

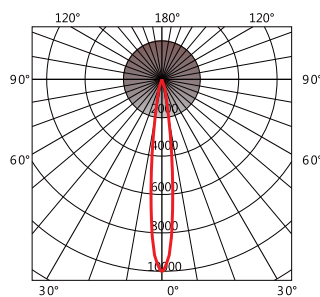
Technical Data:

Model	Wattage	Operating Voltage	Total Lumens (lm)	Efficacy (lm/W)	CRI	CCT	Dimming
EX-xxxW-STA1	200-250W	AC100-305V 50/60Hz	24,000-35,000	120-140	>70	2700K-7000K	0-10V dimmable
EX-xxxW-STA2	10-150W	AC100-305V 50/60Hz	1,200-21,000	120-140	>70	2700K-7000K	0-10V dimmable
EX-xxxW-STA4 A	10-35W	AC100-305V 50/60Hz	1,200-9,800	120-140	>70	2700K-7000K	0-10V dimmable
EX-xxxW-STA4 B	40-70W	AC100-305V 50/60Hz	4,800-9,800	120-140	>70	2700K-7000K	0-10V dimmable
EX-xxxW-STA4 C	80-140W	AC100-305V 50/60Hz	9,600-19,600	120-140	>70	2700K-7000K	0-10V dimmable

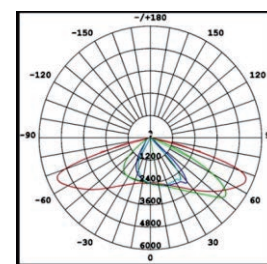
Photometry:



Ratio of distance to height: 0.7



Ratio of distance to height: 0.23

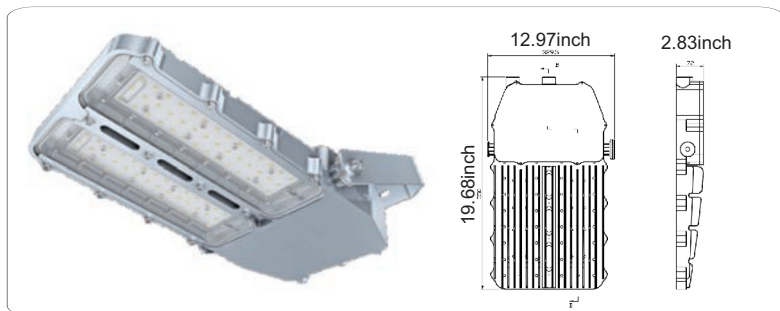


Type III

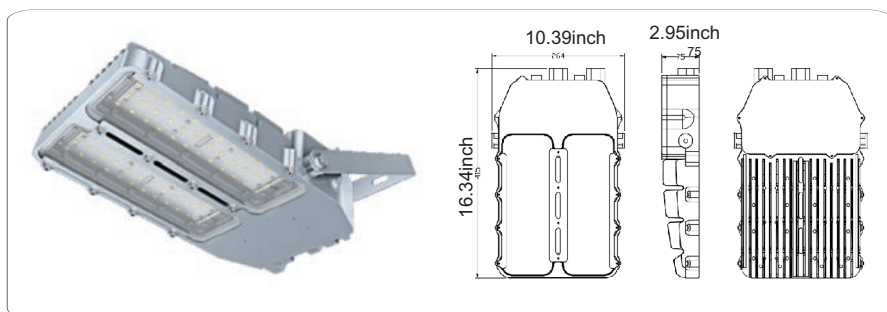
LED Explosion Proof Light - STA124

Dimensions & Packing:

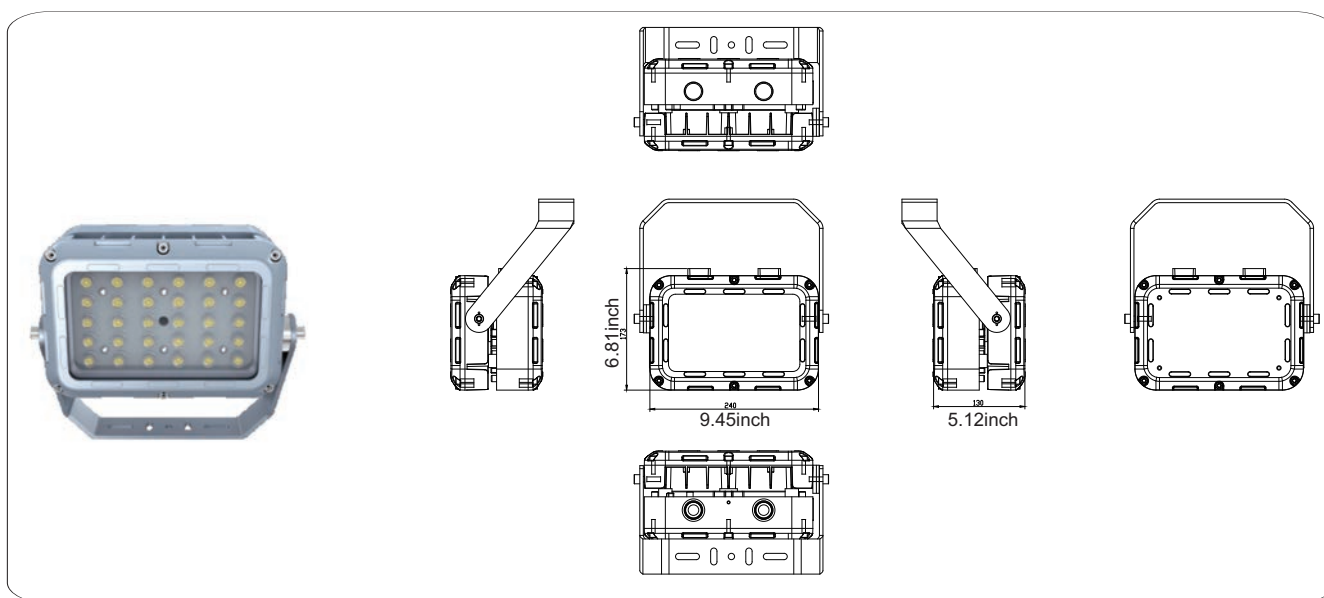
EX-xxxW-STA1



EX-xxxW-STA2

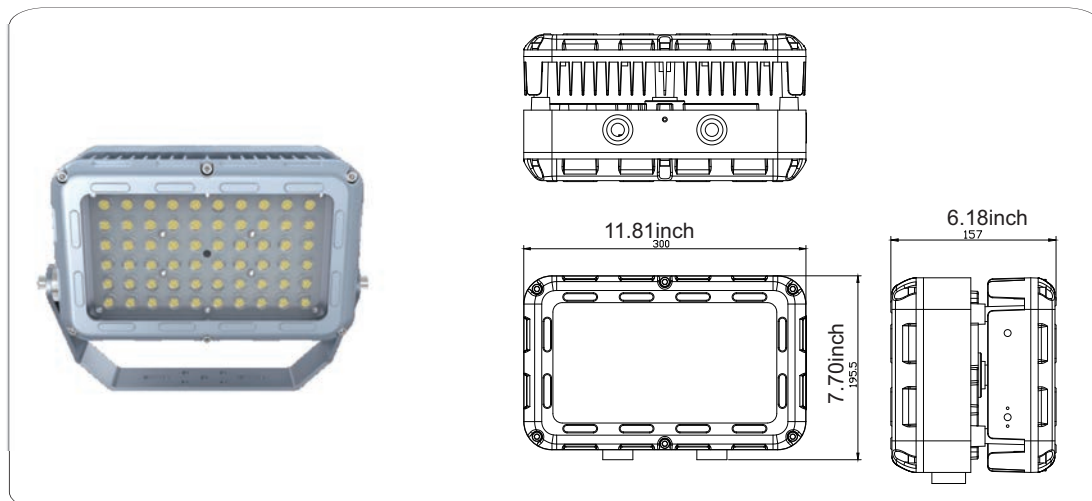


EX-xxxW-STA4 A

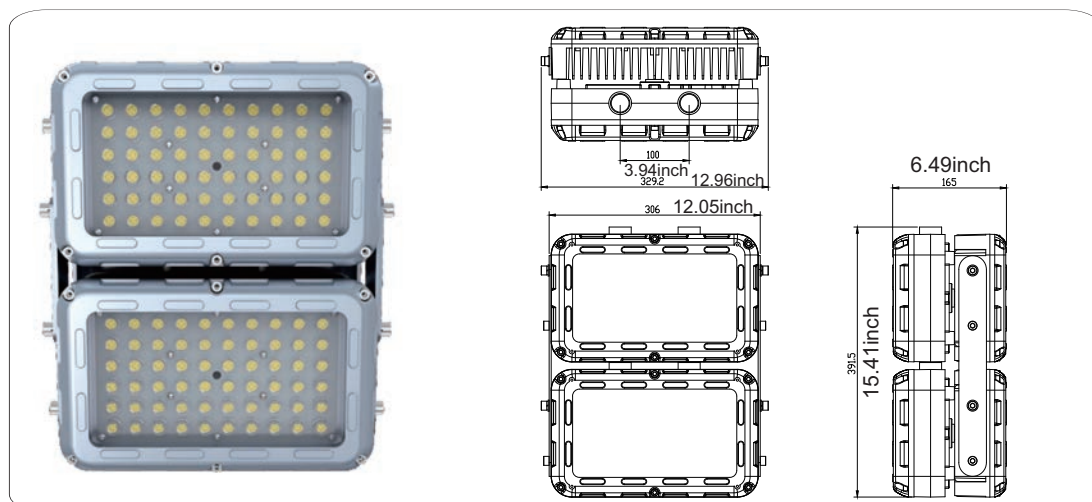


LED Explosion Proof Light - STA124

EX-xxxW-STA4 B



EX-xxxW-STA4 C

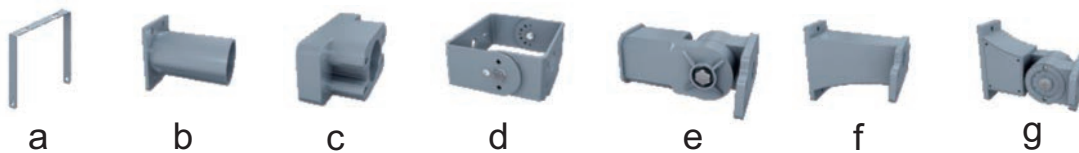


Model	Packing Size	Net Weight	Gross Weight
EX-xxxW-STA1	19.7x13x2.8inch	9.5 kg/ 20.94 lbs	10.5 kg/ 23.15 lbs
EX-xxxW-STA2	16.3x10.4x3inch	6.5 kg/ 14.33 lbs	7.5 kg/ 16.53 lbs
EX-xxxW-STA4 A	9.5x6.8x5.1 inch	4.7 kg/ 10.36 lbs	5.7 kg/ 12.57 lbs
EX-xxxW-STA4 B	11.8x7.7x6.2 inch	7.5kg/ 16.53 lbs	8.8kg/ 19.4 lbs
EX-xxxW-STA4 C	15.4x13x6.5 inch	15 kg/ 33.07 lbs	17.5 kg/ 38.58 lbs

LED Explosion Proof Light - STA124

Accessories & Mounting:

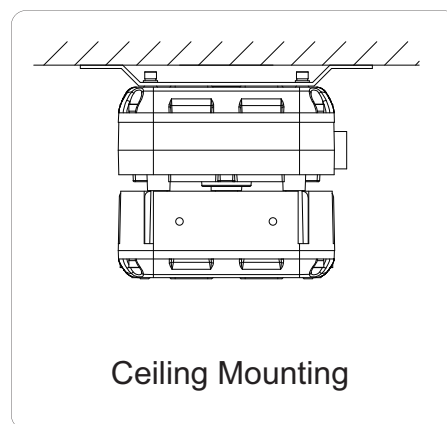
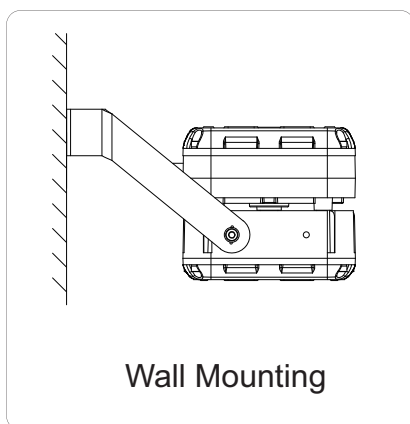
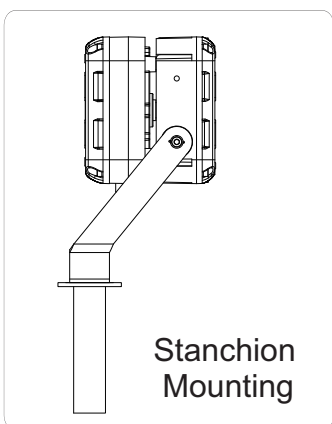
EX-xxxW-STA1/2



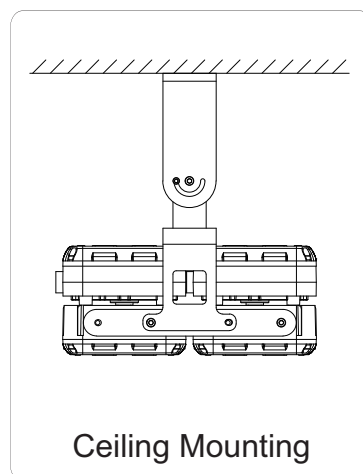
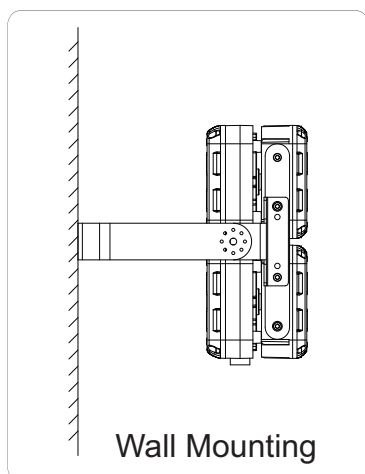
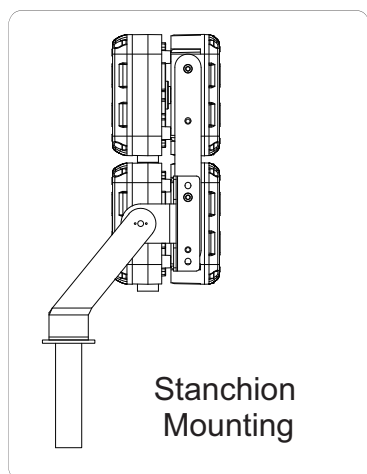
- a. Hardware mounting bracket
- b. Light pole mounting bracket
- c. Adapter bracket

- d. Trunnion mounting kit(TM)
- e. Slip fitter mounting kit(SF)
- f. Arm mounting kit A (AM-A)

- g. Adjustable arm mounting kit B(AM-B)

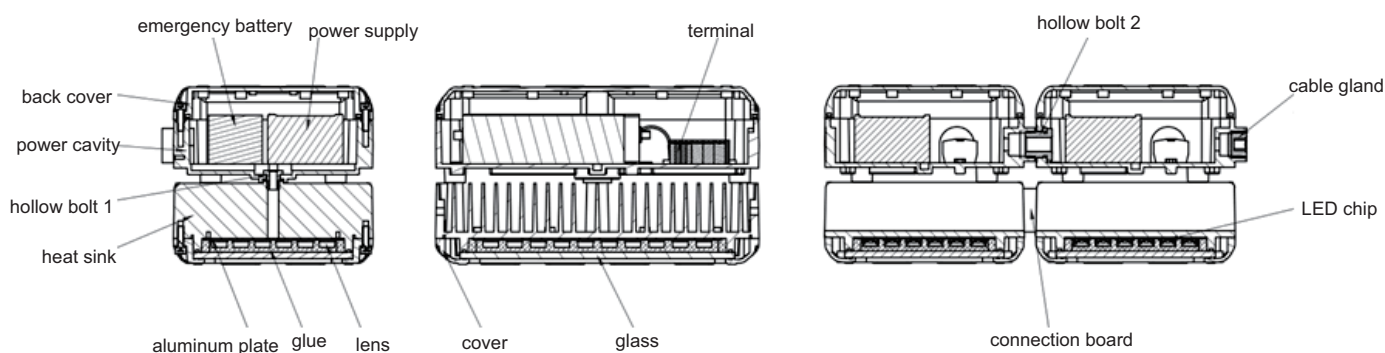


EX-xxxW-STA4



LED Explosion Proof Light - STA124

Construction (STA 4) :



Notes: The light source is covered with a lens, the whole light source part is sealed with glue, then sealed with transparent tempered glass.

An emergency battery which lasts for more than 90 minutes with 10 watt can be installed if needed.

According to the power rate, STA series include type A, type B, and type C. Type A and B are of single body. Type C is of dual body, with the number of components doubled. The two parts of Type C are connected by connecting plates and hollow bolts.

Application :

- ◆ Oil and gas industry
 - All petroleum production and refining
 - Petroleum loading and transportation
 - Petroleum storage and retail
 - LNG industry
 - All mining operations and service
- ◆ Ocean, marine and aerospace field
 - Ocean platform operation facilities
 - Aerospace clean room and production
 - Ocean vessel operations
- ◆ Food and alcohol industry
 - Flour and fine particle production and storage
 - Food and distilling production
 - Alcohol industry
- ◆ Chemical industry
 - All types of paint facilities
 - Chemical production and storage
- ◆ Metal treatment
 - Steel and aluminum factories
 - Pumping stations in any environment
 - Metal smelting, foundry and fabrication
- ◆ Other high humidity, high dust, high temperature, vapor locations.