



High Temperature HB Series

LED High Bay Light

Description

Venas High Temperature High Bay Light, is suitable for use in ambient high temperature working areas where operation temperature may reach 158°F(70°C), such as steel plant, aluminum smelter, and other high-temperature, dust, corrosive gas environment.

The HB Series high heat resistant lights combine great optical performance, energy efficiency and outstanding versatility to meet the requirements of lighting applications in high-temperature, dust, corrosive gas environment, delivering a wide range of light outputs.

The enclosure body is made of aluminum with corrosion-resistant coating which protects against overheating damage.



D1



D3



D2



D4

Specifications

Model	HB-xxxW-D1YZD	HB-xxxW-D2YZD	HB-xxxW-D3YZD	HB-xxxW-D4YZD
Wattage	100-150W	200-300W	300-450W	400-600W
Input Voltage	AC120-277V / AC277-480V, 50/60Hz			
Efficiency	150lm/W			
Beam Angle	120°			
CRI	>70			
Color Temperature (CCT)	2200K-7000K			
Ambient Temperature	-40°C to +70°C (-40°F to +158°F)			
LED Type	SMD 5050/3535/3030			
Enclosure Body	Aluminum			
IP Rating	IP66			
IK Rating	IK09			
Lifespan	50,000 hours			
Warranty	5 years			

Ordering Guide

Example: HB-100W-D1N50D120

HB	100W	D1	N	50	D120
Product Category	Wattage	Model Number	Dimming Option	Color Temperature (CCT)	Beam Angle
High Bay Light	D1: 100-150W D2: 200-300W D3: 300-450W D4: 400-600W	D1: one module D2: two modules D3: three modules D4: four modules	D = Dimmable N = Non-dimmable	22 = 2200K, 30 = 3000K, 40 = 4000K, 50 = 5000K, 57 = 5700K, ..., 70 = 7000K	D120: 120°

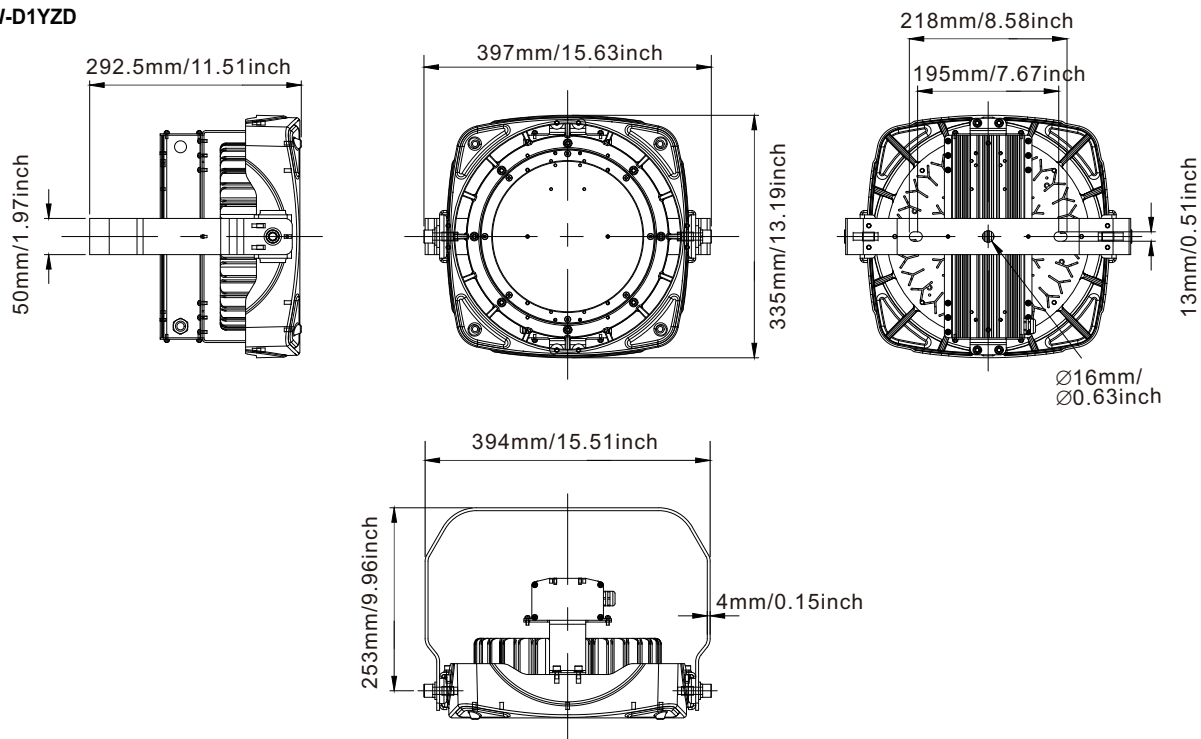
Packing Information

Model	Qty/Carton	Packing Size	Net Weight	Gross Weight
HB-xxxW-D1YZD	1 pc	510x450x415mm (20.08x17.71x16.34 inch)	8kg (17.63 lbs)	10kg (22.04 lbs)
HB-xxxW-D2YZD	1 pc	780x510x415mm (30.71x20.08x16.34 inch)	16kg (35.27 lbs)	18kg (39.68 lbs)
HB-xxxW-D3YZD	1 pc	1115x510x415mm (43.90x20.08x16.34 inch)	25kg (55.11 lbs)	27kg (59.52 lbs)
HB-xxxW-D4YZD	1 pc	855x780x415mm (33.66x30.71x16.34 inch)	32.5kg (71.65 lbs)	35kg (77.16 lbs)

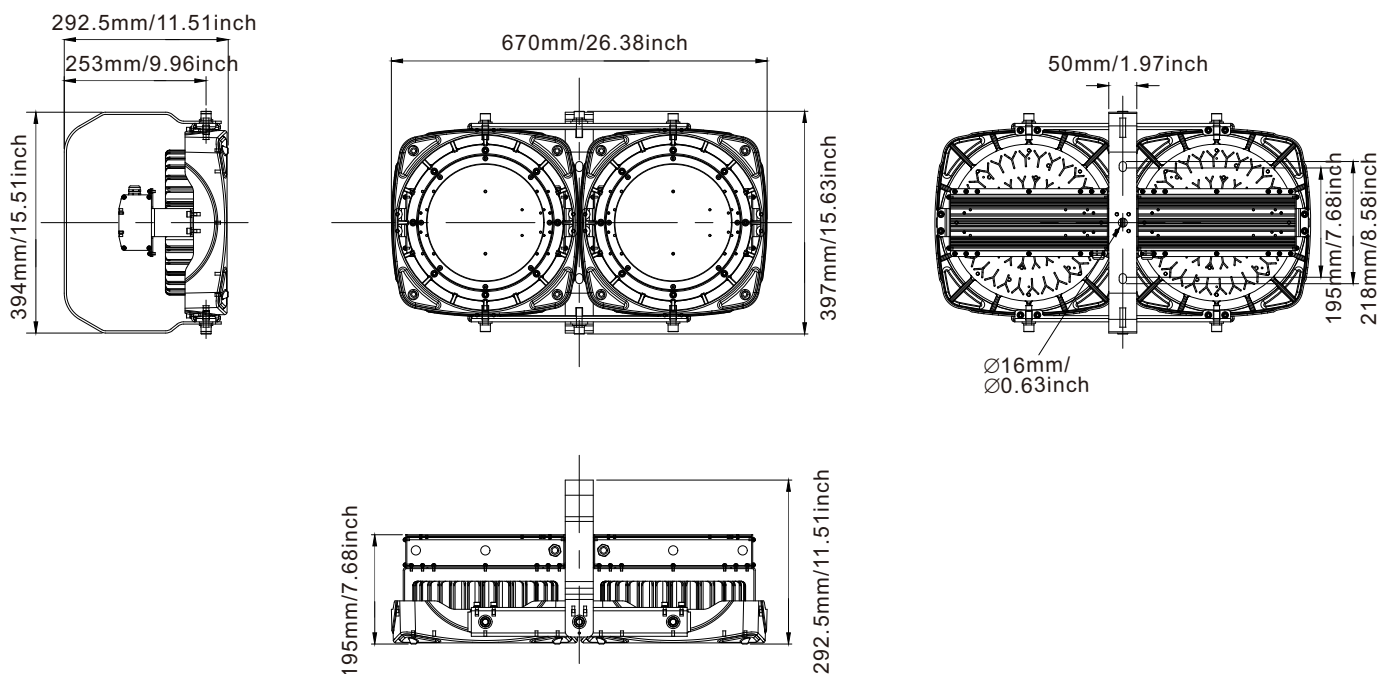
High Temperature HB Series

Dimensions

HB-xxxW-D1YZD



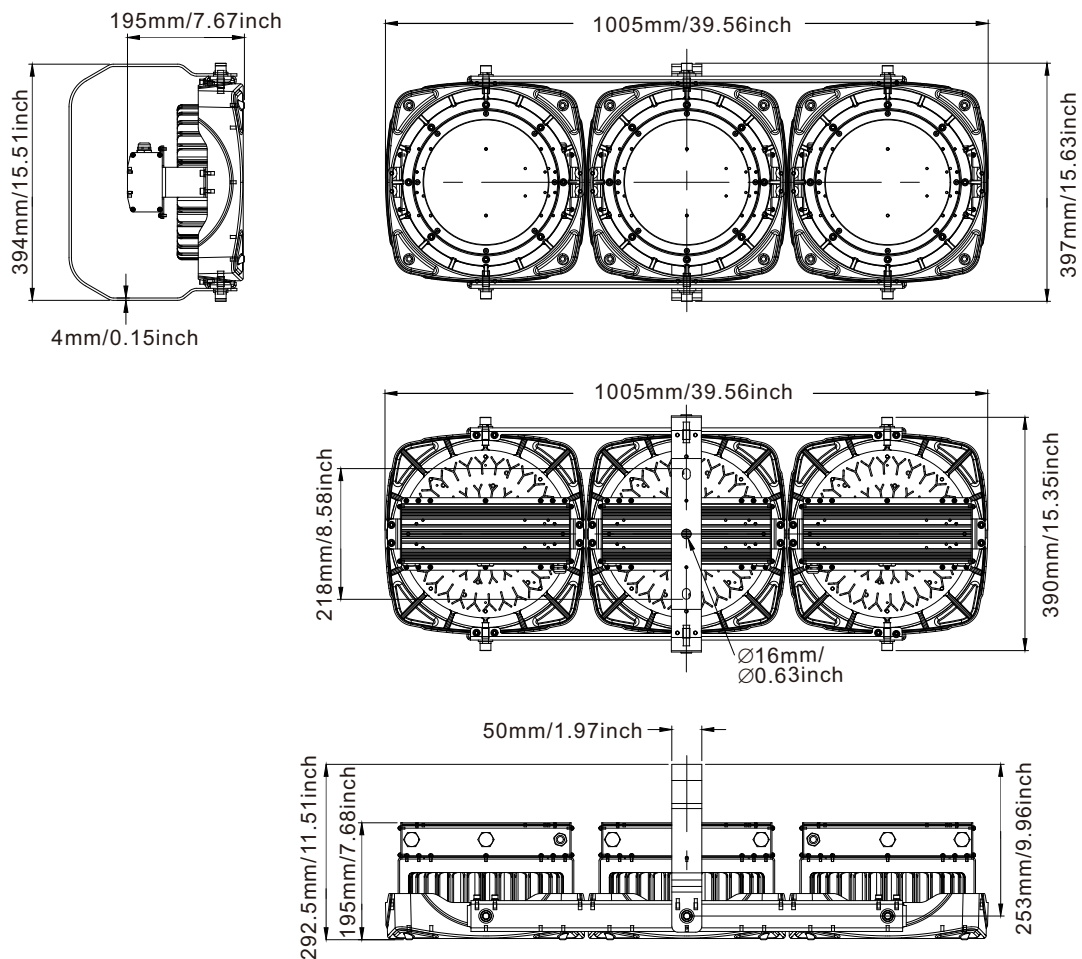
HB-xxxW-D2YZD



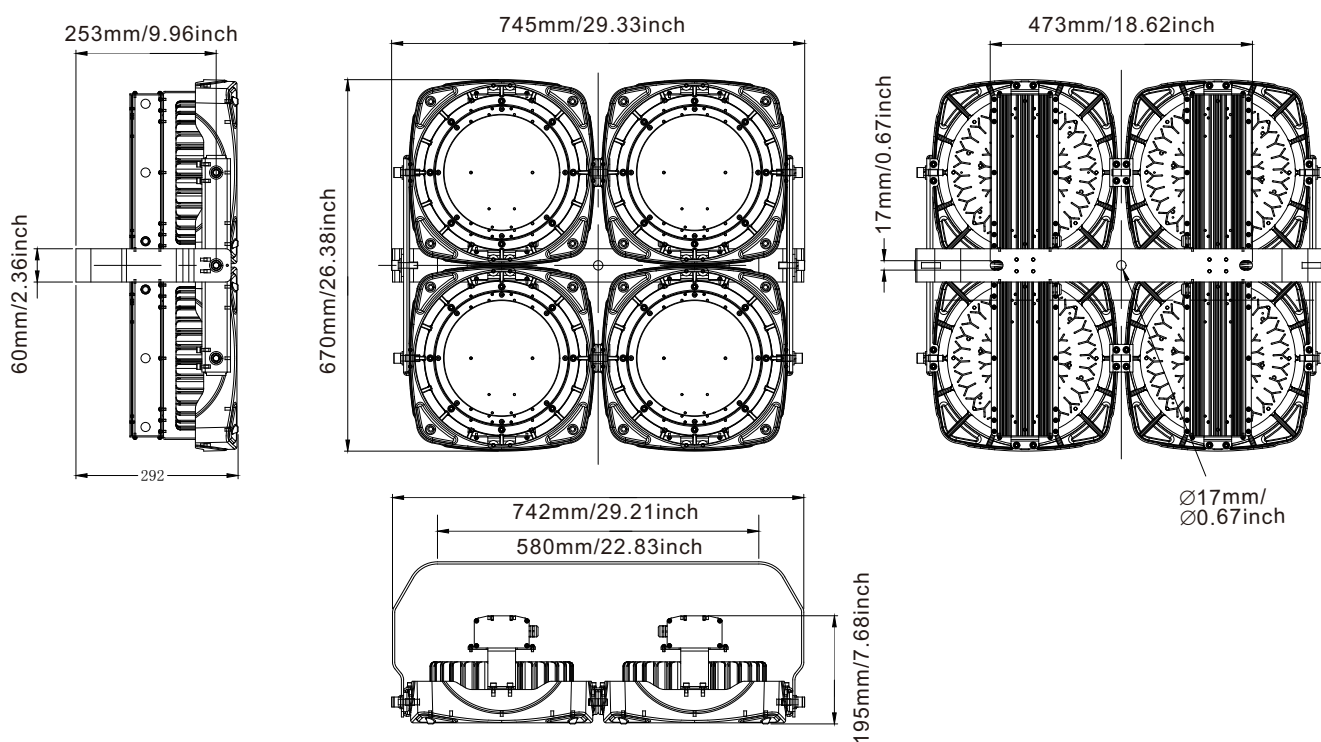
High Temperature HB Series

Dimensions (continued)

HB-xxxW-D3YZD

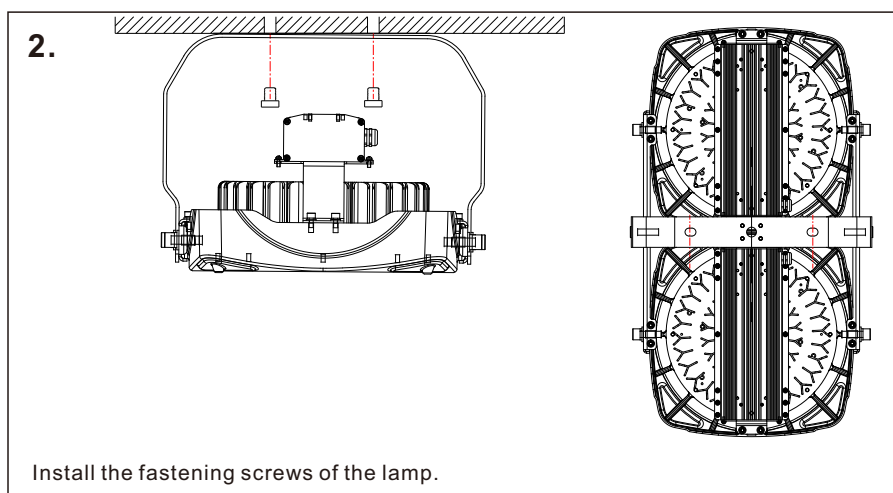
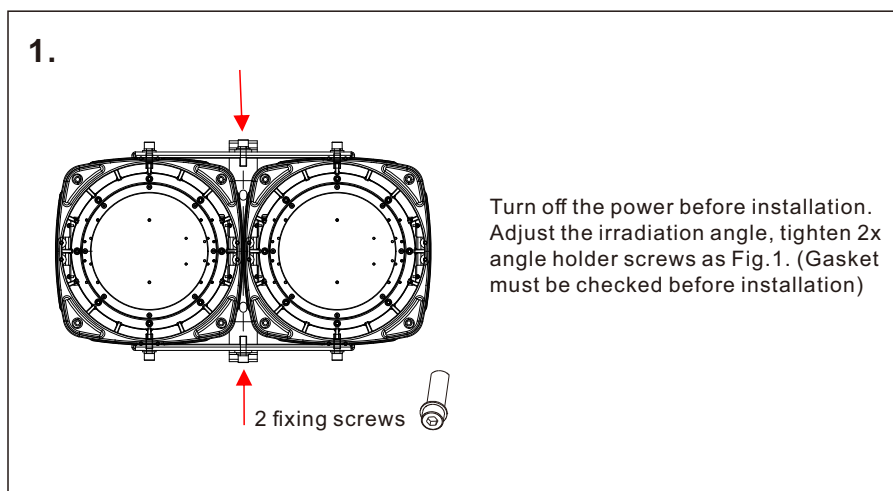


HB-xxxW-D4YZD



Mounting Method

Bracket Mounting (default method with mounting kits included in package):



3. Connect the earthing cable to external bonding location.

4. Installation completed.