

NICOR[®]

HAZOC



NICOR Hazardous Location Series

High Efficiency Industrial Lighting



NICOR's rugged and durable LED hazardous location fixtures provide years of reliable, maintenance-free operation in environments where flammable vapors or combustible dusts are present. Our linear, flood, and area lights deliver uniform light distribution greater than 126 lumens per watt and have a CRI of 70+ in three CCTs, 3000K, 4000K and 5000K.

To ensure performance and safety at your facility, each of NICOR's hazloc luminaires is protected against fluctuating power supplies and high exposure conditions with a 10kA surge protector. Fixtures can install at altitudes as high as 6,560 feet and have a variety of mounting options available to meet your site requirements.

With higher efficacy and lower wattage than existing metal halide or high pressure sodium lights, NICOR's hazloc series are ideal retrofit fixtures that offer greater energy savings, lower maintenance costs, longer life, and shorter paybacks. Our high performance luminaires are also regularly stocked and available to meet your ongoing project demands.

For more details and information, including the latest hazardous location product offerings, visit NICORHazloc.com.

FEATURE LISTING AND RATINGS

NICOR designs unique features into our lighting fixtures that make them more efficient, easier to install, and superior to similar products so they out-perform our competition.

The following guide defines these features to help you choose the right fixture for your application.



UL LISTED

UL is a world leader in product safety testing and certification. For more than 100 years, manufacturers have had their merchandise evaluated and tested for safety risks by an independent, third-party safety certification organization. Last year alone, approximately 14 billion products with the UL Mark entered the global marketplace. More information can be found at www.ul.com.



5 YEAR WARRANTY

NICOR Inc. Warrants that all NICOR LED branded Solid State Lighting products made by NICOR to be free from defects in material and workmanship under normal consumer usage for a period of 5 years from date of purchase. For complete warranty information please visit nicorlighting.com.



UL Marine Listed

UL's marks for the marine certification service appear on products that have been evaluated specifically for marine use. Products bearing these marks have been evaluated to UL's published marine Standards for Safety and other applicable standards and codes. More information can be found at www.ul.com.



DLC

The DesignLights Consortium® promotes quality, performance, and energy-efficient commercial sector lighting solutions through collaboration among its federal, regional, state, utility, and energy efficiency program members, luminaire manufacturers, lighting designers, and other industry stakeholders throughout the U.S. and Canada. More information can be found at www.dlc.com.

NICOR HAZARDOUS LOCATION CERTIFICATION GUIDE

Atmosphere Groups			
Substance	Hazard Class	Division Groups	Zone Groups
Acetylene	Class I Flammable Gases	Group A	IIC
Hydrogen		Group B	IIB + H2
Ethylene		Group C	IIB
Propane		Group D	IIA
Methane		Group E ¹	IIA ²
Combustible Metal Dusts	Class II Combustible Dusts	Group D	IIIC
Combustible Carbonaceous Dusts		Group F	IIIB
Combustible Dusts not in Group E or F (Flour, Grain, Wood, Plastics, Chemicals)		Group G	IIIB
Combustible Fibers and Flyings	Class III Fibers and Flying	N/A	IIIA

Note 1: Group E is applicable to Class II Division 1 only
 Note 2: Methane is a group IIA Gas for non-mining applications

Other Useful Standards		
Standard Types	IEC Standards	US & CAN Standards
Area Classification - Gases, Vapors and Mists	IEC 60079-10-1	NFPA 497
Area Classification - Combustible Dusts, Fibers, Flyings	IEC 60079-10-2	NFPA 499
Electrical Equipment Installation	IEC 60079-14	NFPA 70 (NEC®)/CSA C22.1 (CEC®)
Electrical Equipment Inspection and Maintenance	IEC 60079-17	NFPA 70B
Electrical Equipment Repair and Overhaul	IEC 60079-19	-
Material Characteristics for Gas and Vapor Classification	IEC 60079-20-1	NFPA 497
Material Characteristics for Dust Classification	IEC 60079-20-2	NFPA 499
Application of Quality Systems for Equipment Manufacture	ISO/IEC 80079-34	-
Quality Management Systems	ISO 9001	ISO 9001

Temperature Classification ¹		
Max. Surface Temperature	NEC® 500 / CEC®	NEC® 505 / IEC - Group II
450° C (842° F)	T1	T1
300° C (572° F)	T2	T2
280° C (536° F)	T2A	
260° C (500° F)	T2B	
230° C (446° F)	T2C	
215° C (419° F)	T2D	
200° C (392° F)	T3	T3
180° C (356° F)	T3A	
165° C (329° F)	T3B	
160° C (320° F)	T3C	
135° C (275° F)	T4	
120° C (248° F)	T4A	
100° C (212° F)	T5	T5
85° C (185° F)	T6	T6

Note 1: For Group 1 applications (ATEX and IECEx only), electrical apparatus has fixed temperature limits of 150°C (where layers of coal dust can form) and 450°C (where coal dust is not expected to form a layer).

Classification of Divisions and Zones			
Hazard Level	Division Scheme	Zone Scheme Gas/Dust	Type of Explosive Atmosphere
Continuous Hazard	Division 1	Zone 0 / Zone 20	Continually present
Intermittent Hazard		Zone 1 / Zone 21	Likely to occur during normal operations
Hazard Under Abnormal Conditions	Division 2	Zone 2 / Zone 22	Not likely to occur during normal operations, but may occur for short periods

ERES - XPR

Hazardous Location LED Area Light

The Eres Hazardous Location LED Area Light is designed for installations where moisture, dirt, dust, corrosion and vibration may be present, or NEMA 3 and 4X areas where wind, water, snow or high ambient temperature can be expected. For use in locations made hazardous by the presence of flammable vapors or gases or combustible dusts as defined by the NEC, Eres fixtures are available in 45W and 65W in class C1D2. The Eres is ideal for retrofit of existing HPS/MH and offers higher efficacy for increased energy savings, lower maintenance costs and shorter paybacks.

Certifications: UL 844 Hazardous Location & CSA22.2 No. 250.0-08, 250.13; Class I Division 2 Group A, B, C, D; Class II Division I Group E, F, G; Class II Division 2 Group F and G; Class III; UL1598A Marine; UL 1598 Wet Locations; UL 8750 LED Safety; IP66; DLC Certified* (5000K only); IECEx

Housing: Copper-free, die-cast aluminum

CCT: 5000K, 3000K** or 4000K**

Input Voltage: 100-240/277 VAC or 347-480VAC**

Surge Protection: 10kA surge protector

Operating temperature: Ambient Operating Temperature -40° to 131°F (-40°C to 55°C)

Installation: Easy installation with seven available mounting options:
Ceiling, Wall/Mounting (25° or 90°), Stanchion Mount (25° or 90°), Adjustable Bracket, Pendant

Access Ports: Four at 3/4" NPT (only available on ceiling and wall mount attachments)

Finish: RAL 7037 (Dusty Gray) polyester powder coat

FCC: Meets FCC Part 15, Subpart B, Class B standards for conducted and radiated emissions

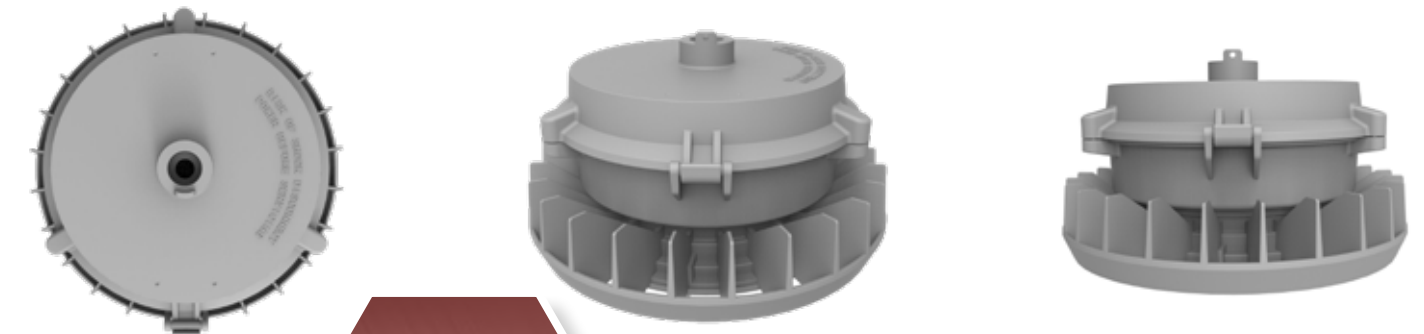
CCT			Lm / W
4000K	6426Lm	45W	151.9
5000K	6499Lm		153.6
4000K	9416Lm	65W	144.6
5000K	9892Lm		152.0



Multi-Mount (shown with ceiling mount attachment)



Pendant Mount



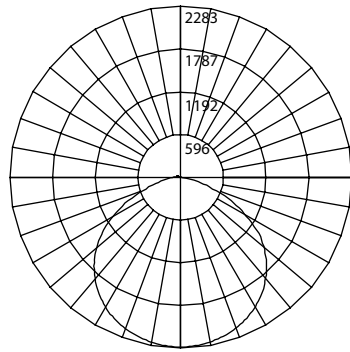
*DLC Certification for 5000k only
** Consult factory for lead time

Eres | Hazardous Location LED Area Light

Photometric Data - Class: B (C1D2)

XPR 45W 5000K

Input Voltage (VAC)	120-277
System Level Power (W)	42.3
120V Current (A)	0.353
277V Current (A)	0.153
Delivered Lumens (Lm)	6499
System Efficacy (Lm/W)	153.6
Correlated Color Temp (K)	5061
Color Rendering Index (CRI)	72.73
Power Factor	0.9734
THD	13.1%
Beam Angle	114.5°
Spacing Criteria	1.32



Intensity Summary (Candle Power)

Angle	Mean CP
0	2314
5	2307
15	2247
25	2125
35	1934
45	1657
55	1275
65	771
75	251
85	15
90	2

Cone of Light Tabulation

Mounted height (Feet)	Footcandles Beam Center	Diameter (Feet)
8	36.2	10.5
10	23.1	13.1
12	16.0	15.8
14	11.8	18.4
16	9.0	21.0
18	7.1	23.8
20	5.8	26.0

Zonal Lumen Summary

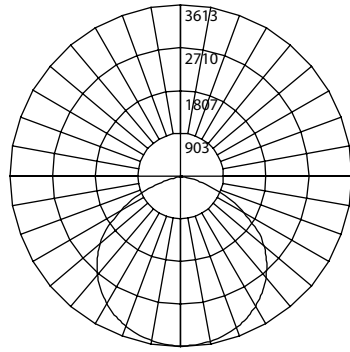
Zone	Lumens	% of Luminaire
0-30	1833	28.2%
0-40	3041	46.8%
0-60	5441	83.7%
0-90	6486	99.8%
90-180	13	0.2%
0-180	6499	100.0%

CCT Data Multiplier

XPR1B045U40GR	0.952
---------------	-------

XPR 65W 5000K

Input Voltage (VAC)	120-277
System Level Power (W)	65.07
120V Current (A)	0.543
277V Current (A)	0.235
Delivered Lumens (Lm)	9892
System Efficacy (Lm/W)	152.01
Correlated Color Temp (K)	5073
Color Rendering Index (CRI)	72.87
Power Factor	0.976
THD	<20%
Beam Angle	114.2°
Spacing Criteria	1.32



Intensity Summary (Candle Power)

Angle	Mean CP
0	3523
5	3515
15	3423
25	3238
35	2942
45	2521
55	1934
65	1153
75	376
85	24
90	3

Cone of Light Tabulation

Mounted height (Feet)	Footcandles Beam Center	Diameter (Feet)
8	55.0	10.5
10	35.2	13.1
12	24.5	15.7
14	18.0	18.3
16	13.8	20.9
18	10.8	23.5
20	8.8	26.0

Zonal Lumen Summary

Zone	Lumens	% of Luminaire
0-30	2794	28.2%
0-40	4633	46.8%
0-60	8285	83.8%
0-90	9866	99.7%
90-180	26	0.3%
0-180	9892	100.0%

CCT Data Multiplier

XPR1B065U40GR	0.952
---------------	-------

Fixture tested per LM-79-08. Photometric data is of the performance of a representative fixture. Results may vary in the field.

Performance Data

Model Number	Lumens	Watts	Lumens/Watt
XPR1B045U40GR	6426	42.3	151.9
XPR1B045U50GR	6499	42.3	153.6
XPR1B065U40GR	9416	65.1	144.6
XPR1B065U50GR	9892	65.1	152.0

T Ratings

Class/Div	Ratings
C1D2	T4A
C2D1	T5
C2D2	T5

EPA

0.84 ft²

Ordering Information

Series	Version	Class	Wattage	Voltage	CCTs	Finish	Mounting	Lens
XPR	1 (Version 1)	B (C1D2)	045 (45W)	U (100-240/277VAC)	50 (5000 K)	GR (gray)	M (Multi-Mount)*	__ (Clear)
			065 (65W)**	H (347-480VAC)**	30 (3000 K)**	P (Pendant)	D (Diffused)**	
					40 (4000 K)**			

*Multi-mount required for all mounting options except pendant and U-bracket

**Special order. Consult factory for availability.

***100-240/277VAC Only

Specifications and dimensions subject to change without notice.

Accessories

Accessories sold separately

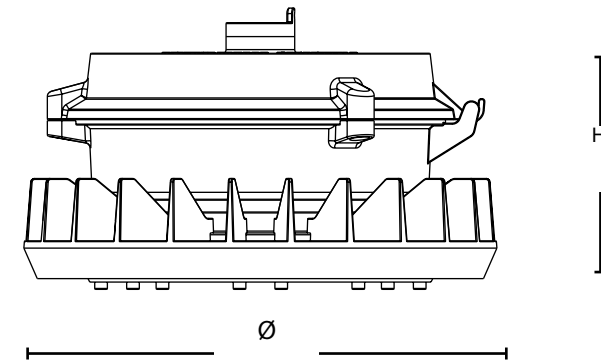
Wire Guard	XPR1WG
3' Standard Safety Cable	XP1SAFETYCABLE-3

Eres | Hazardous Location LED Area Light

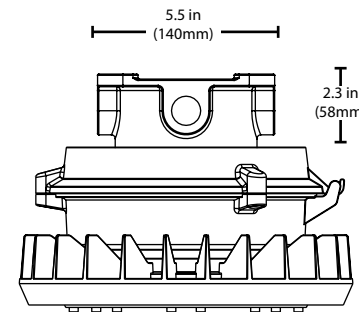
Dimensions

45/65W

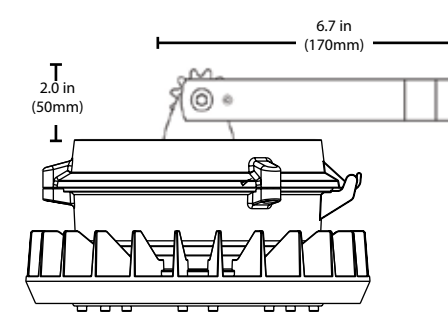
Fixture Diameter (Ø)	10.2 in (259mm)
Fixture Height (H)	4.875 in (124mm)



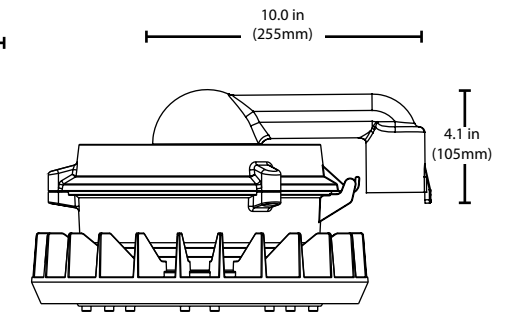
Ceiling Mounting (JBox)



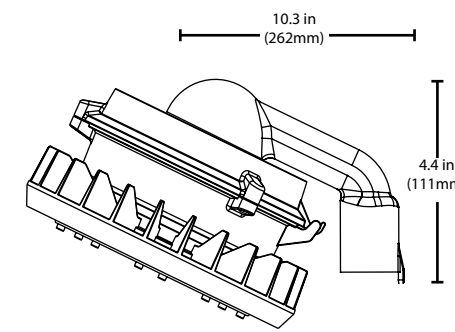
U Bracket Mounting



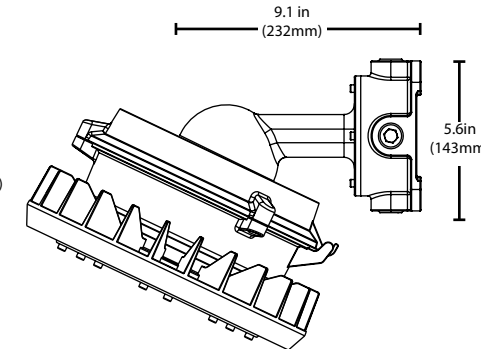
Stanchion 90° Mounting



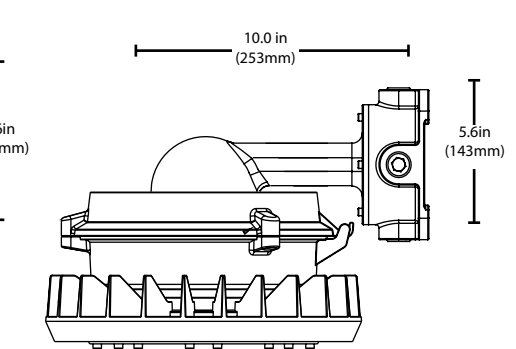
Stanchion 25° Mounting



Wall 25° Mounting



Wall 90° Mounting



Mounting Options

Ceiling Mount Junction Box	XPR1JBOX
Trunnion Mount	XPR1BRACKET
25° Wall Mount	XPR1WALLMOUNT25
90° Wall Mount	XPR1WALLMOUNT90
25° Stanchion (1.25")	XPR1STANCHION25125
25° Stanchion (1.50")	XPR1STANCHION25150
90° Stanchion (1.25")	XPR1STANCHION90125
90° Stanchion (1.50")	XPR1STANCHION90150

PROTEUS - XPL1A

Hazardous Location LED Linear Luminaire

The Proteus Hazardous Location LED luminaire is designed for installations where moisture, dirt, corrosion and vibration may be present. For use in locations made hazardous by the presence of flammable vapors or gases as defined by the NEC, Proteus fixtures are available in class C1D1 in 40W with a two-foot length or in 80W with a four-foot length. Proteus Series is ideal for retrofit of existing HPS/MH & FL and offers higher efficacy for increased energy savings, lower maintenance costs and shorter paybacks.

Certifications: UL 844 Hazardous Location & CSA22.2 No. 137-M1981; Class I Division 1, Group C, D; Class I Division 2 Group A, B, C, D; UL1598A Marine; UL1598 Wet Location; UL8750 LED Safety; IECEx Ex nR II C T6 Gc; IP66 Rated; DLC Certification* (5000K only)

Housing: Copper-free, die-cast aluminum

CCT: 5000K, 3000K** or 4000K**

Input Voltage: 100-240/277 VAC or 347-480VAC**

Surge Protection: 10kA surge protector

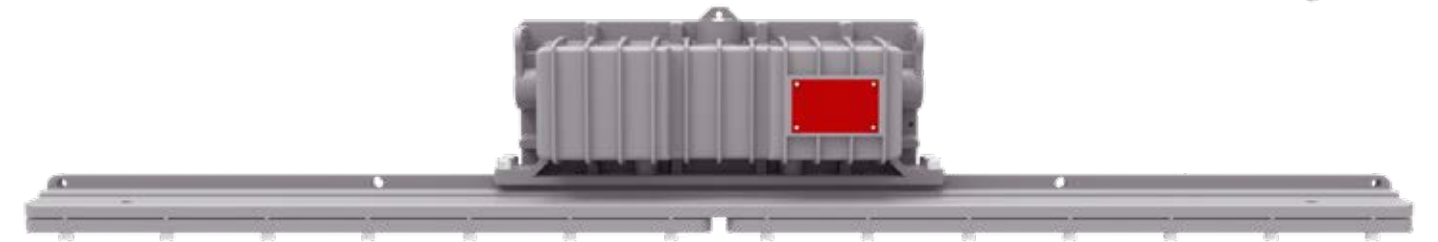
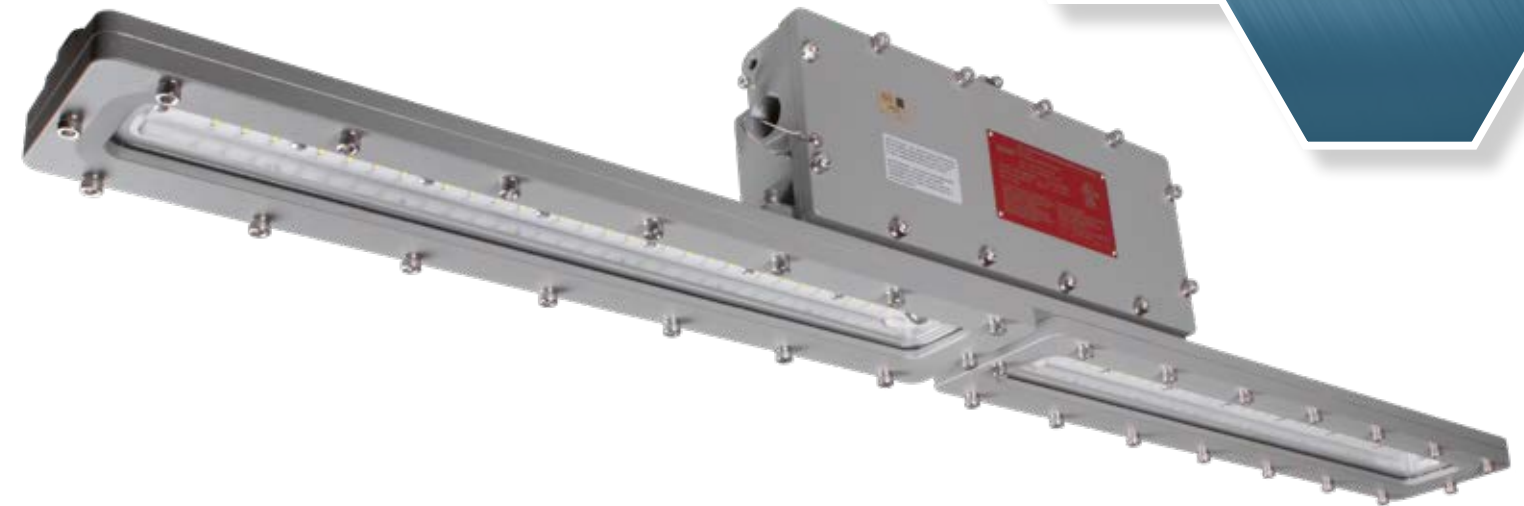
Operating temperature: Ambient Operating Temperature -40° to 140°F (-40°C to 60°C)

Installation: Easy installation with three mounting options: Ceiling, Wall/Stanchion, and Pendant. Included mounting bracket is drilled for legacy bolt patterns.

Access Ports: Three at 3/4" NPT

Finish: RAL 7037 (Dusty Gray) polyester powder coat

FCC: Meets FCC Part 15, Subpart B, Class B standards for conducted and radiated emissions



CCT			Lm/W
3000K	4011Lm	40W	105.3
4000K	4213Lm		110.6
5000K	4426Lm		116.3
3000K	8280Lm	80W	102.5
4000K	8723Lm		107.9
5000K	9160Lm		113.4



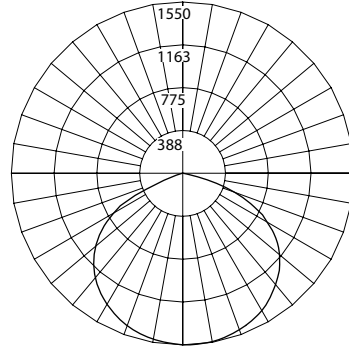
*DLC Certification for 5000k only
** Consult factory for lead time

Proteus | Hazardous Location LED Linear Luminaire

Photometric Data

XPL1A 40W 5000K

Input Voltage (VAC)	120-277
System Level Power (W)	38.1
120V Current (A)	0.32
277V Current (A)	0.14
Delivered Lumens (Lm)	4426
System Efficacy (Lm/W)	116.3
Correlated Color Temp (K)	4982
Color Rendering Index (CRI)	72.3
Power Factor	0.95
THD	<20
Beam Angle	115.5°
Spacing Criteria	1.36



Intensity Summary (Candle Power)

Angle	Along	Across
0	1550	1550
5	1549	1549
15	1530	1524
25	1466	1458
35	1360	1354
45	1207	1210
55	868	988
65	410	668
75	104	274
85	0	16
90	0	1

Cone of Light Tabulation

Mounted height (Feet)	Footcandles Beam Center	Diameter (Feet)
4	119.7	12.7
6	53.2	19.0
8	29.9	25.4
10	19.2	31.7
12	13.3	38.0
14	9.8	44.4
16	7.5	50.7

Zonal Lumen Summary

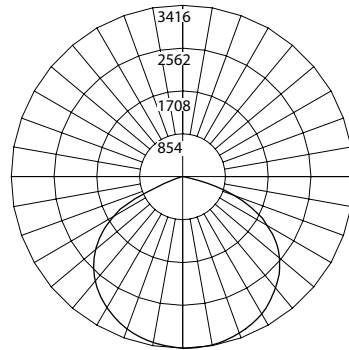
Zone	Lumens	% of Luminaire
0-30	1243	28.1%
0-40	2080	47.0%
0-60	3791	85.6%
0-90	4426	100.0%
90-180	0	0.0%
0-180	4426	100.0%

CCT Data Multiplier

XPL1A040U30GR	0.906
XPL1A040U40GR	0.952

XPL1A 80W 5000K

Input Voltage (VAC)	120-277
System Level Power (W)	80.8
120V Current (A)	0.67
277V Current (A)	0.29
Delivered Lumens (Lm)	9160
System Efficacy (Lm/W)	113.4
Correlated Color Temp (K)	4864
Color Rendering Index (CRI)	>70
Power Factor	0.94
THD	<20%
Beam Angle	111.1°
Spacing Criteria	1.34



Intensity Summary (Candle Power)

Angle	Along	Across
0	3415	3415
5	3409	3412
15	3349	3329
25	3178	3160
35	2893	2888
45	2494	2478
55	1673	1965
65	736	1316
75	201	577
85	0	54
90	0	3

Cone of Light Tabulation

Mounted height (Feet)	Footcandles Beam Center	Diameter (Feet)
4	228.9	11.7
6	101.7	17.5
8	57.2	23.3
10	36.6	29.2
12	25.4	35.0
14	18.7	40.8
16	14.0	46.6

Zonal Lumen Summary

Zone	Lumens	% of Luminaire
0-30	2705	29.5%
0-40	4478	48.9%
0-60	7903	86.3%
0-90	9160	100.0%
90-180	0	0.0%
0-180	9160	100.0%

CCT Data Multiplier

XPL1A080U30GR	0.906
XPL1A040U40GR	0.952

Fixture tested per LM-79-08. Photometric data is of the performance of a representative fixture. Results may vary in the field.

Performance Data			
Model Number	Lumens	Watts	Lumens/Watt
XPL1A040U30GR	4011	38.1	105.3
XPL1A040U40GR	4213	38.1	110.6
XPL1A040U50GR	4426	38.1	116.3
XPL1A080U30GR	8280	80.8	102.5
XPL1A080U40GR	8723	80.8	107.9
XPL1A080U50GR	9160	80.8	113.4

Proteus | Hazardous Location LED Linear Luminaire

Ordering Information

Series	Version	Class/DIV	Wattage	Voltage	CCTs	Finish	Beam Angle	Lens	Mounting	Emergency
XPL	1 (Version 1)	A (C1D1)	040 (40W)	U (100-240/277VAC)	50 (5000 K)	GR (Gray)	__ (120°)	__ (Clear)	__ (3/4" Pendant)	__ (None)
			080 (80W)	H (347-480V)*	30 (3000 K)*		60 (60°)*	D (Diffused)*	T (Trunnion Mount factory installed)	EM (Emergency) ¹
					40 (4000 K)*		T2 (Typell/Aisle)*			

*Special order. Consult factory for availability. 1) EM is only available for 80W version.

Accessories

Accessories sold separately

Trunnion Mount Bracket	XPL1BRACKET
C1D1 Drill Rig Kit	XPL1ARIGKIT
C1D1 Heavy Duty Dual Point Retention Kit	XPL1ARETENTIONKIT
C1D2 Standard Drill Rig Kit	XPL1BRIGKIT-STD
Pipe Mount Kit (2.0" Diameter)	XPL1PIPEMOUNT20
Pipe Mount Kit (2.5" Diameter)	XPL1PIPEMOUNT25
3' Heavy Duty DS Safety Cable	XP1DSCABLE-3

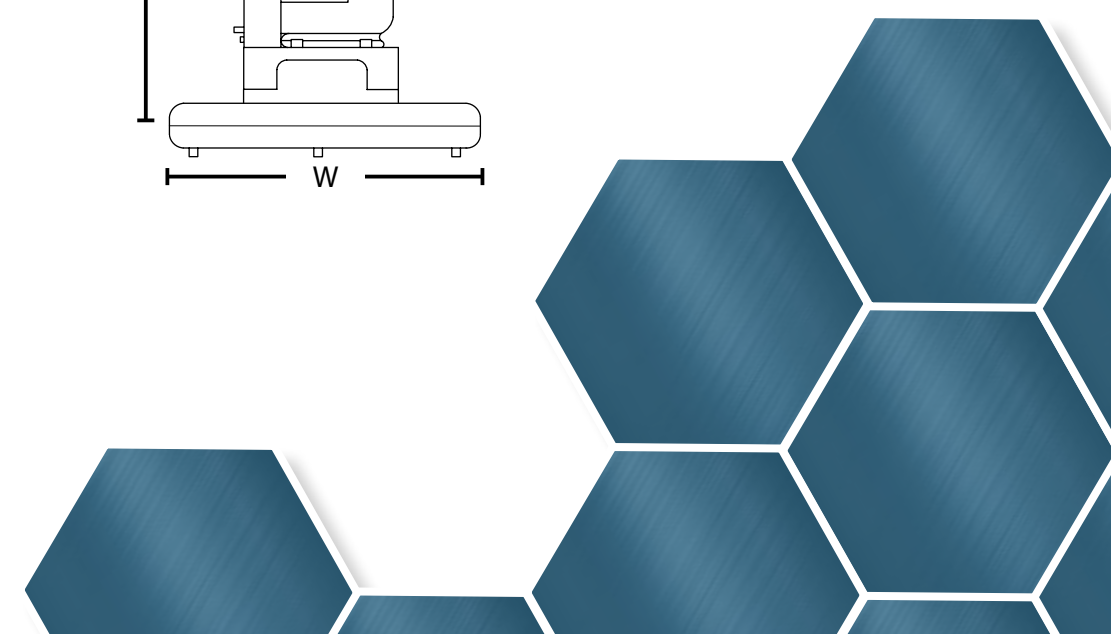
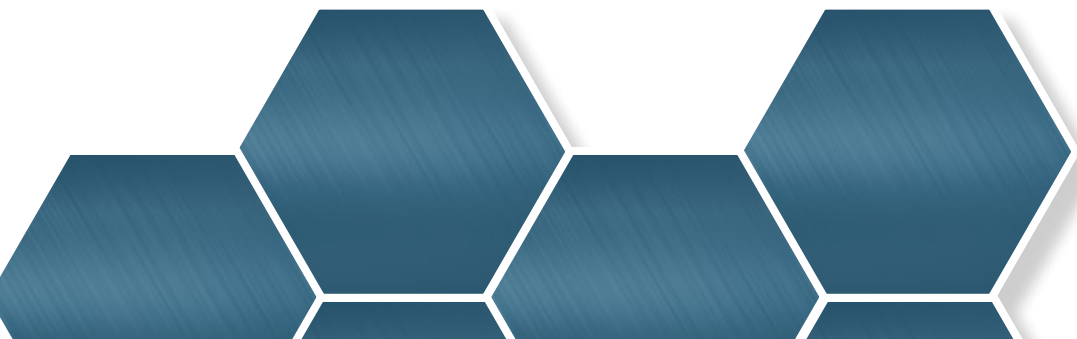
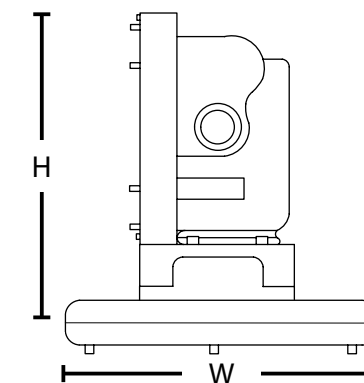
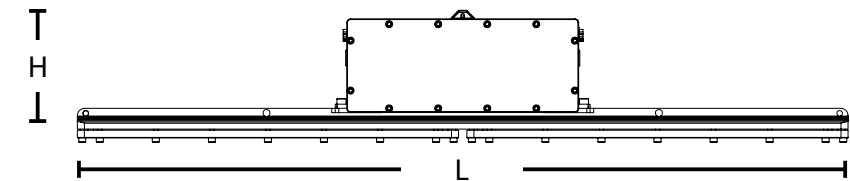
Dimensions

40W

Fixture Length (L)	21.4 in (544 mm)
Fixture Width (W)	4.3 in (108 mm)
Fixture Height (H)	7.3 in (185 mm)

80W

Fixture Length (L)	43.3 in (1100 mm)
Fixture Width (W)	4.3 in (108 mm)
Fixture Height (H)	7.3 in (185 mm)



PROTEUS - XPL1B

Hazardous Location LED Linear Luminaire

The Proteus Hazardous Location LED Luminaire is designed for installations where moisture, dirt, corrosion and vibration may be present. For use in locations made hazardous by the presence of flammable vapors or gases as defined by the NEC, Proteus fixtures are available in class C1D2 in 40W with a two foot length or in 80W with a four foot length. Proteus Series is ideal for retrofit of existing HPS/MH & FL and offers higher efficacy for increased energy savings, lower maintenance costs and shorter paybacks.

Certifications: UL 844 Hazardous Location & CSA22.2 No. 137-M1981; Class I Division 2 Group A, B, C, D; Class II Division 1, Group E,F, G; Class II Division 2, Group F, G; Class III ; UL1598A Marine; UL1598 Wet Location; UL8750 LED Safety; IECEx Ex nR II C T6 Gc; IP66 Rated; DLC Certification* (5000K only)

Housing: Copper-free, die-cast aluminum

CCT: 5000K, 3000K** or 4000K**

Input Voltage: 100-240/277 VAC

Surge Protection: 10kA surge protector

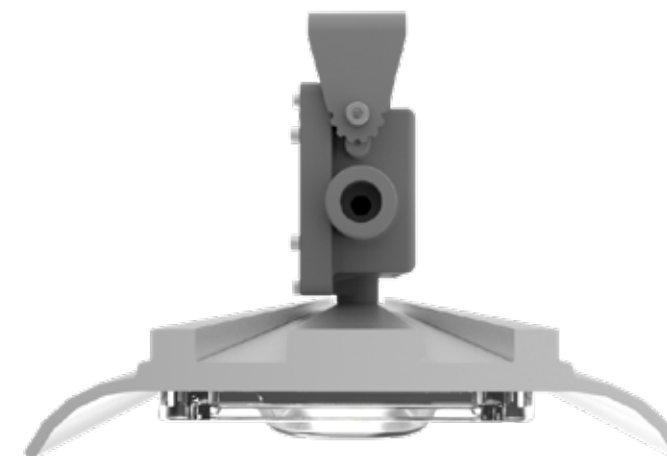
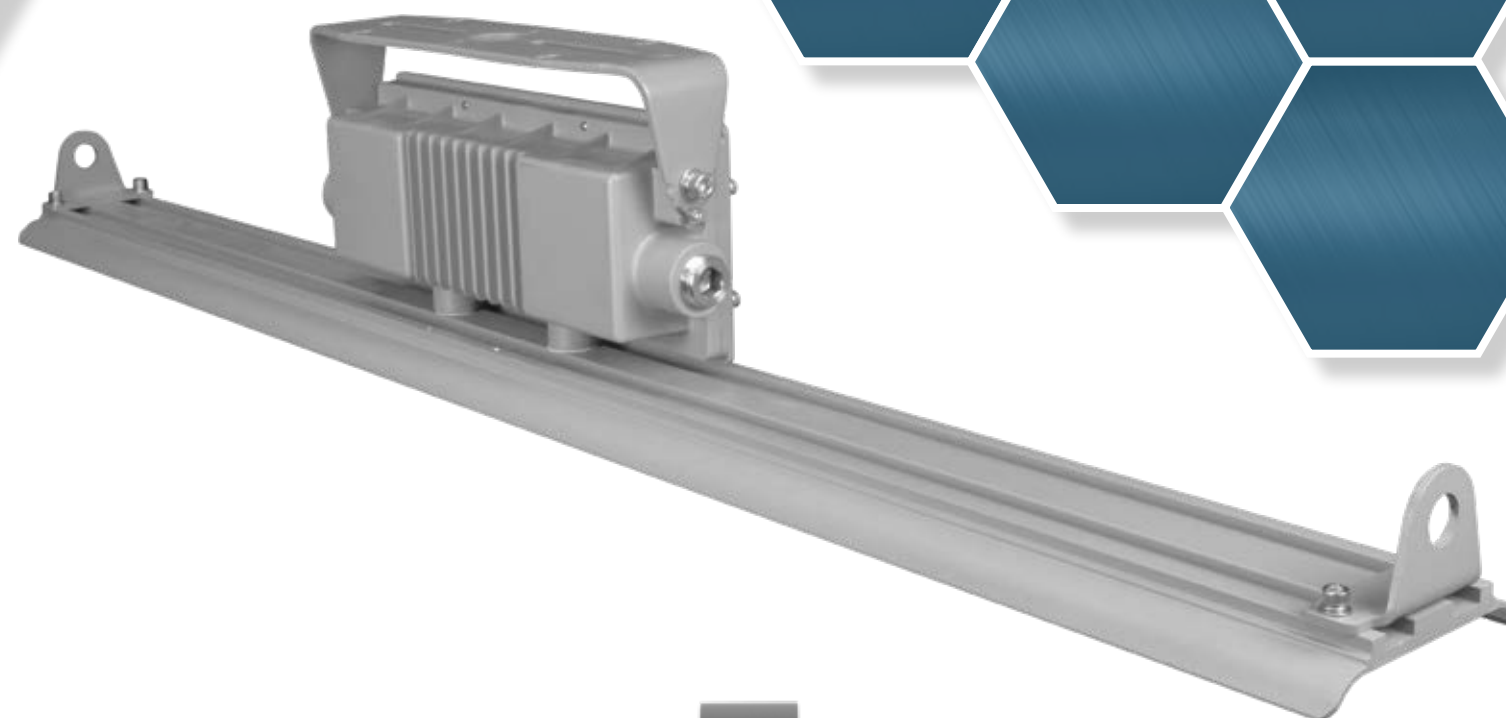
Operating temperature: Ambient Operating Temperature -40° to 122°F (-40°C to 50°C)

Installation: Easy installation with three mounting options: Ceiling, Wall/Stanchion, and Pendant. Included mounting bracket is drilled for legacy bolt patterns.

Access Ports: Two at 3/4" NPT

Finish: RAL 7037 (Dusty Gray) polyester powder coat

FCC: Meets FCC Part 15, Subpart B, Class A standards for conducted and radiated emissions



CCT	Lm	W	Lm/W
3000K	4011Lm	40W	105.3
4000K	4213Lm		110.6
5000K	4426Lm		116.3
3000K	8280Lm	80W	102.5
4000K	8723Lm		107.9
5000K	9160Lm		113.4



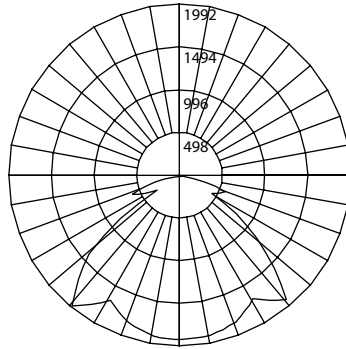
*DLC Certification for 5000k only
** Consult factory for lead time

Some images shown with optional chain mounting brackets.

Photometric Data

XPL1B 40W 5000K

Input Voltage (VAC)	120-277
System Level Power (W)	40.9
120V Current (A)	0.341
277V Current (A)	0.148
Delivered Lumens (Lm)	5533
System Efficacy (Lm/W)	135.3
Correlated Color Temp (K)	5167
Color Rendering Index (CRI)	72
Power Factor	0.95
THD	<20%
Beam Angle	105.9°
Spacing Criteria	1.46



Intensity Summary (Candle Power)

Angle	Along	Across
0	1914	1915
5	1906	1914
15	1860	1872
25	1743	1771
35	1779	1602
45	1519	1396
55	775	1039
65	472	698
75	276	319
85	0	29
90	0	5

Cone of Light Tabulation

Mounted height (Feet)	Footcandles Beam Center	Diameter (Feet)
8	119.7	10.1
10	53.2	12.7
12	29.9	15.2
14	19.2	17.7
16	13.3	20.3
18	9.8	23.0
20	7.5	25.0

Zonal Lumen Summary

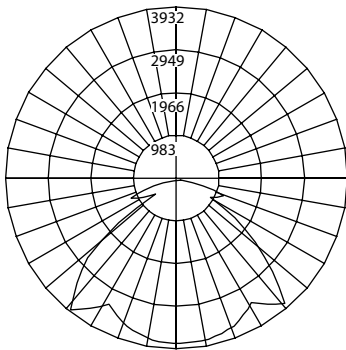
Zone	Lumens	% of Luminaire
0-30	1527	27.6%
0-40	2567	46.4%
0-60	4631	83.7%
0-90	5533	100.0%
90-180	0	0.0%
0-180	5533	100.0%

CCT Data Multiplier

XPL1B040U30GR	0.930
XPL1B040U40GR	0.952

XPL1B 80W 5000K

Input Voltage (VAC)	120-277
System Level Power (W)	80.3
120V Current (A)	0.661
277V Current (A)	0.286
Delivered Lumens (Lm)	11548
System Efficacy (Lm/W)	143.8
Correlated Color Temp (K)	5116
Color Rendering Index (CRI)	72
Power Factor	0.95
THD	<20%
Beam Angle	111.5°
Spacing Criteria	1.30



Intensity Summary (Candle Power)

Angle	Along	Across
0	3806	3806
5	3784	3799
15	3679	3702
25	3443	2485
35	3096	3146
45	2944	2691
55	1968	2096
65	905	1266
75	444	528
85	0	35
90	0	7

Cone of Light Tabulation

Mounted height (Feet)	Footcandles Beam Center	Diameter (Feet)
8	59.5	10.3
10	38.0	12.9
12	26.5	13.4
14	19.4	18.1
16	14.9	20.5
18	11.8	23.2
20	9.6	25.8

Zonal Lumen Summary

Zone	Lumens	% of Luminaire
0-30	3164	27.4%
0-40	5220	45.2%
0-60	9619	83.3%
0-90	11548	100.0%
90-180	0	0.0%
0-180	11548	100.0%

CCT Data Multiplier

XPL1B080U30GR	0.930
XPL1B040U40GR	0.952

Fixture tested per LM-79-08. Photometric data is of the performance of a representative fixture. Results may vary in the field.

Performance Data			
Model Number	Lumens	Watts	Lumens/Watt
XPL1B040U30GR	5146	41	125.8
XPL1B040U40GR	5267	41	128.8
XPL1B040U50GR	5533	41	135.3
XPL1B080U30GR	10740	80	133.7
XPL1B080U40GR	10994	80	136.9
XPL1B080U50GR	11548	80	143.8

Ordering Information

Series	Version	Class/DIV	Wattage	Voltage	CCTs	Finish	Beam Angle	Lens	Mounting	Emergency
XPL	1 (Version 1)	B (C1D2)	040 (40W)	U (100-240/277VAC)	50 (5000 K)	GR (Gray)	__ (120°)	__ (Clear)	__ (3/4" Pendant)	__ (None)
			080 (80W)		30 (3000 K)*		60 (60°)*	D (Diffused)	T (Trunnion Mount factory installed)	EM (Emergency) ¹
					40 (4000 K)*		25 (25°)*			

*Special order. Consult factory for availability. 1.) EM is available for both 40W and 80W versions.

Accessories

Accessories sold separately

Trunnion Mount Bracket	XPL1BRACKET
C1D2 Heavy Duty Drill Rig Kit	XPL1BRIGKIT-HD
C1D2 Standard Single Point Retention Kit	XPL1BRETENTIONKIT
C1D2 Standard Drill Rig Kit	XPL1BRIGKIT-STD
Pipe Mount Kit (2.0" Diameter)	XPL1PIPEMOUNT20
Pipe Mount Kit (2.5" Diameter)	XPL1PIPEMOUNT25
3' Heavy Duty DS Safety Cable	XP1DSCABLE-3
3' Standard Safety Cable	XP1SAFETYCABLE-3

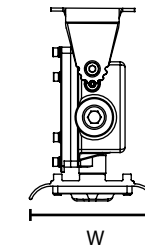
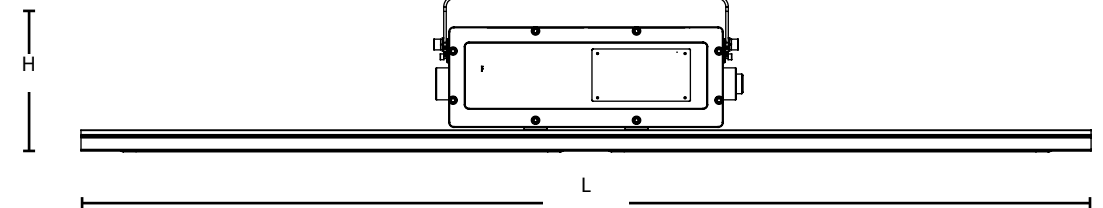
Dimensions

40W

Fixture Length (L)	23.6 in (600mm)
Fixture Width (W)	5 in (127 mm)
Fixture Height (H)	6.6 in (192 mm)

80W

Fixture Length (L)	47.2 in (1200mm)
Fixture Width (W)	5 in (127 mm)
Fixture Height (H)	6.6 in (192 mm)



TITAN - XPQ1A

Hazardous Location LED Flood Light

The Titan LED Luminaire is designed for installations where moisture, dirt, dust, corrosion and vibration may be present, or NEMA 3 and 4X areas where wind, water, snow or high ambient temperature can be expected. For use in locations made hazardous by the presence of flammable vapors or gases or combustible dusts as defined by the NEC and IEC, Titan fixtures are available in 80W, 100W, and 150W in both C1D1 and C1D2 classes. The Titan is ideal for retrofit of existing HPS/MH and offers higher efficacy for increased energy savings, lower maintenance costs and shorter paybacks.

Certifications: UL 844 & CSA22.2 No. 137-M1981; Class I Division 1 Group C, D; Class I Division 2 Group A, B, C, D; Class II Division 2 Group F, G; UL1598A Marine; UL 1598 Wet Location; UL 8750 LED Safety; IP66 Rated; DLC Premium Certified* (5000K only); IECEx Ex d IIB T6 Gb/ Ex tb IIIC T85°C Db

Housing: Copper-free, die-cast aluminum

CCT: 5000K, 3000K**, 4000K**

Input Voltage: 100-240/277 VAC or 347-480V**

Surge Protection: 10kA surge protector

Operating temperature: -40° to 140°F (-40°C to 60°C)

Installation: Easy installation with three available mounting options: Ceiling, Wall, and Pendant

Access Ports: Three at 3/4" NPT

Finish: RAL 7037 (Dusty Gray) polyester powder coat

FCC: Meets FCC Part 15, Subpart B, Class B standards for conducted and radiated emissions

CCT	LM/W	W	Lm/W
3000K	8874Lm	80W	120.6
4000K	9055Lm		123.0
5000K	9240Lm		125.5
3000K	11688Lm	100W	119.8
4000K	11927Lm		122.2
5000K	12170Lm		124.7
3000K	16577Lm	150W	118.7
4000K	16916Lm		121.2
5000K	17261Lm		123.6



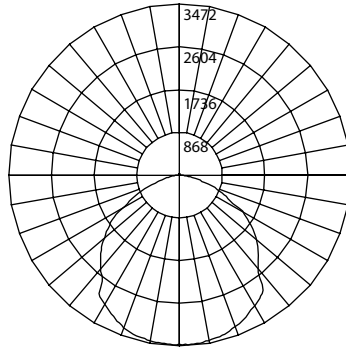
*DLC Certification for 5000k only
** Consult factory for lead time

Titan | Hazardous Location LED Flood Light

Photometric Data

XPQ1A 80W 5000K

Input Voltage (VAC)	120-277
System Level Power (W)	73.6
120V Current (A)	0.613
277V Current (A)	0.266
Delivered Lumens (Lm)	9240
System Efficacy (Lm/W)	125.5
Correlated Color Temp (K)	5023
Color Rendering Index (CRI)	70
Power Factor	>0.95
THD	<20%
Beam Angle	108.2°
Spacing Criteria	1.33



Intensity Summary (Candle Power)

Angle	Mean CP
0	3463
5	3457
15	3372
25	3179
35	2906
45	2331
55	1680
65	989
75	342
85	28
90	3

Cone of Light Tabulation

Mounted height (Feet)	Footcandles Beam Center	Diameter (Feet)
4	63.2	4.2
6	28.1	6.3
8	15.8	8.4
10	10.1	10.4
12	7.0	12.5
14	5.2	14.4
16	4.0	16.5

Zonal Lumen Summary

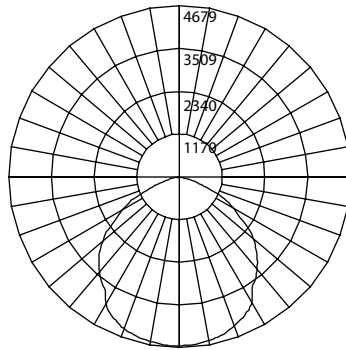
Zone	Lumens	% of Luminaire
0-30	2747	29.7%
0-40	4552	49.3%
0-60	7828	84.7%
0-90	9219	99.8%
90-180	21	0.2%
0-180	9240	100.0%

CCT Data Multiplier

XPQ1A080U30GR	0.906
XPQ1A080U40GR	0.952

XPQ1A 100W 5000K

Input Voltage (VAC)	120-277
System Level Power (W)	97.6
120V Current (A)	0.813
277V Current (A)	0.352
Delivered Lumens (Lm)	12170
System Efficacy (Lm/W)	124.7
Correlated Color Temp (K)	5037
Color Rendering Index (CRI)	70
Power Factor	>0.95
THD	<20%
Beam Angle	106.75°
Spacing Criteria	1.31



Intensity Summary (Candle Power)

Angle	Mean CP
0	4672
5	4660
15	4544
25	4292
35	3788
45	3031
55	2185
65	1275
75	438
85	35
90	2

Cone of Light Tabulation

Mounted height (Feet)	Footcandles Beam Center	Diameter (Feet)
4	63.2	4.2
6	28.1	6.3
8	15.8	8.4
10	10.1	10.4
12	7.0	12.5
14	5.2	14.4
16	4.0	16.5

Zonal Lumen Summary

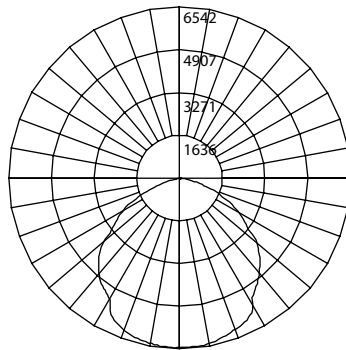
Zone	Lumens	% of Luminaire
0-30	3702	30.4%
0-40	6069	49.9%
0-60	10349	85.0%
0-90	12150	99.8%
90-180	20	0.2%
0-180	12170	100.0%

CCT Data Multiplier

XPQ1A100U30GR	0.906
XPQ1A100U40GR	0.952

XPQ1A 150W 5000K

Input Voltage (VAC)	120-277
System Level Power (W)	139.6
120V Current (A)	1.163
277V Current (A)	0.504
Delivered Lumens (Lm)	17261
System Efficacy (Lm/W)	123.6
Correlated Color Temp (K)	5041
Color Rendering Index (CRI)	70
Power Factor	>0.95
THD	<20%
Beam Angle	108.1°
Spacing Criteria	1.29



Intensity Summary (Candle Power)

Angle	Mean CP
0	6507
5	6498
15	6347
25	5994
35	5311
45	4328
55	3116
65	1844
75	629
85	46
90	5

Cone of Light Tabulation

Mounted height (Feet)	Footcandles Beam Center	Diameter (Feet)
4	63.2	4.2
6	28.1	6.3
8	15.8	8.4
10	10.1	10.4
12	7.0	12.5
14	5.2	14.4
16	4.0	16.5

Zonal Lumen Summary

Zone	Lumens	% of Luminaire
0-30	5173	30.0%
0-40	8504	49.3%
0-60	14662	84.9%
0-90	17223	99.8%
90-180	38	0.2%
0-180	17261	100.0%

CCT Data Multiplier

XPQ1A150U30GR	0.906
XPQ1A150U40GR	0.952

Fixture tested per LM-79-08. Photometric data is of the performance of a representative fixture. Results may vary in the field.

Titan | Hazardous Location LED Flood Light

Photometric Data

Performance Data

Model Number	Lumens	Watts	Lumens/Watt
XPQ1A080U30GR	8874	73.6	120.6
XPQ1A080U40GR	9055	73.6	123.0
XPQ1A080U50GR	9240	73.6	125.5
XPQ1A100U30GR	11688	97.6	119.8
XPQ1A100U40GR	11927	97.6	122.2
XPQ1A100U50GR	12170	97.6	124.7
XPQ1A150U30GR	16577	139.6	118.7
XPQ1A150U40GR	16916	139.6	121.2
XPQ1A150U50GR	17261	139.6	123.6

Ordering Information

Series	Version	Class	Wattage	Voltage	CCTs	Finish	Mounting	Beam Angle	Lens
XPQ	1 (Version 1)	A (C1D1)	080 (80W)	U (100-240/277VAC)	50 (5000 K)	GR (gray)	— (Trunnion)	— (120°)	— (Clear)
			100 (100W)	H (347-480V)*	30 (3000 K)*	P (Trunnion & Pendant)	25 (25°)*	D (Diffused)*	
			150 (150W)		40 (4000 K)*		60 (60°)*		

*Special order. Consult factory for availability.

Accessories

Accessories sold separately

3' Heavy Duty DS Safety

XP1DSCABLE-3

Wire Guard

XPQ1WG

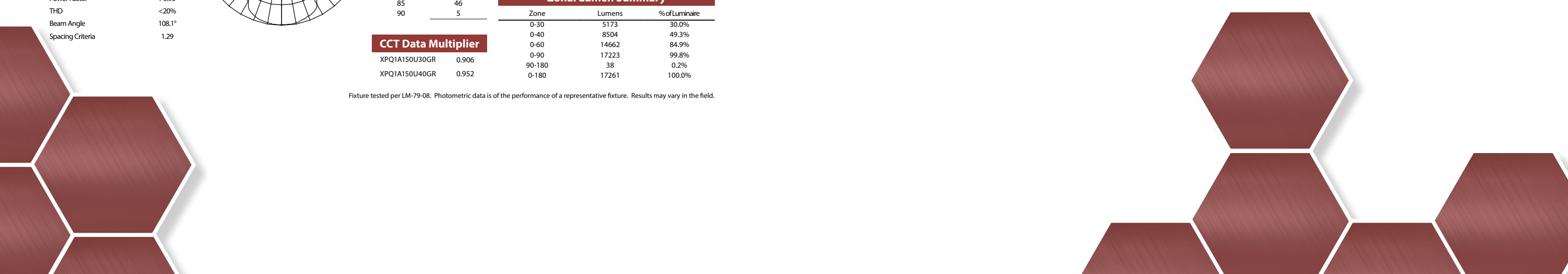
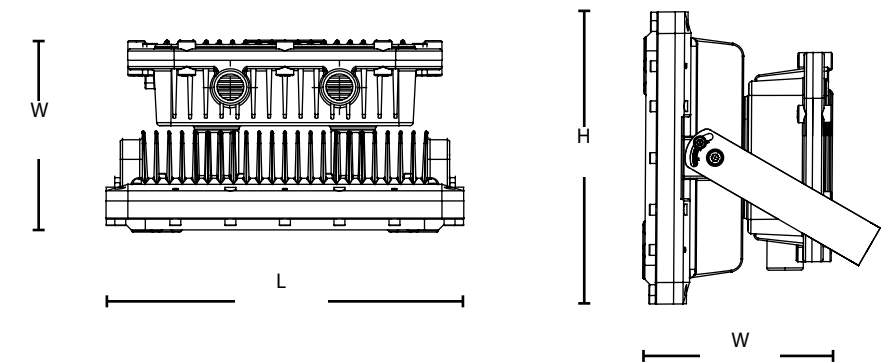
Dimensions

80/100/150

Fixture Length (L) 12.9 in (328 mm)

Fixture Width (W) 6.9 in (176 mm)

Fixture Height (H) 10.7 in (271 mm)



TITAN - XPQ1B

Hazardous Location LED Flood Light

The Titan LED Luminaire is designed for installations where moisture, dirt, dust, corrosion and vibration may be present, or NEMA 3 and 4X areas where wind, water, snow or high ambient temperature can be expected. For use in locations made hazardous by the presence of flammable vapors or gases or combustible dusts as defined by the NEC and IEC, Titan fixtures are available in 80W, 100W, and 150W in both C1D1 and C1D2 classes. The Titan is ideal for retrofit of existing HPS/MH and offers higher efficacy for increased energy savings, lower maintenance costs and shorter paybacks.

Certifications: UL 844 & CSA22.2 No. 137-M1981; Class I Division 2 Group A,B,C,D; Class II Division 2 Group F,G; UL1598A Marine; UL1598 Wet Location; UL 8750 LED Safety; IECEx Ex d IIB T6 Gb/ Ex tb IIIC T85°C Db; IP66 Rated; DLC Premium Certified* (5000K only)

Housing: Copper-free, die-cast aluminum

CCT: 5000K, 3000K**, 4000K**

Input Voltage: 100-240/277 VAC or 347-480VAC**

Surge Protection: 10kA surge protector

Operating temperature: -40° to 122°F (-40°C to 60°C)

Installation: Easy installation with three available mounting options: Ceiling, Wall, and Pendant

Access Ports: Three at 3/4" NPT

Finish: RAL 7037 (Dusty Gray) polyester powder coat

FCC: Meets FCC Part 15, Subpart B, Class B standards for conducted and radiated emissions

CCT	lm	W	Lm/W
3000K	8874Lm	80W	120.6
4000K	9055Lm		123.0
5000K	9240Lm		125.5
3000K	11688Lm	100W	119.8
4000K	11927Lm		122.2
5000K	12170Lm		124.7
3000K	16577Lm	150W	118.7
4000K	16916Lm		121.2
5000K	17261Lm		123.6



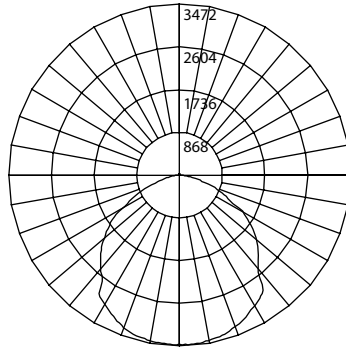
*DLC Certification for 5000k only
** Consult factory for lead time

Titan | Hazardous Location LED Flood Light

Photometric Data

XPQ1B 80W 5000K

Input Voltage (VAC)	120-277
System Level Power (W)	73.6
120V Current (A)	0.613
277V Current (A)	0.266
Delivered Lumens (Lm)	9240
System Efficacy (Lm/W)	125.5
Correlated Color Temp (K)	5023
Color Rendering Index (CRI)	70
Power Factor	>0.95
THD	<20%
Beam Angle	108.2°
Spacing Criteria	1.33



Intensity Summary (Candle Power)

Angle	Mean CP
0	3463
5	3457
15	3372
25	3179
35	2906
45	2331
55	1680
65	989
75	342
85	28
90	3

Cone of Light Tabulation

Mounted height (Feet)	Footcandles Beam Center	Diameter (Feet)
4	63.2	4.2
6	28.1	6.3
8	15.8	8.4
10	10.1	10.4
12	7.0	12.5
14	5.2	14.4
16	4.0	16.5

Zonal Lumen Summary

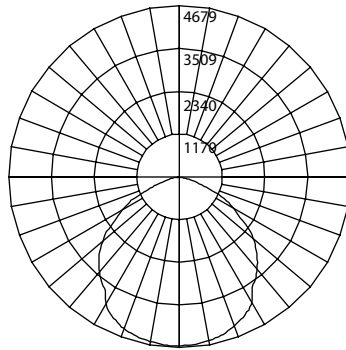
Zone	Lumens	% of Luminaire
0-30	2747	29.7%
0-40	4552	49.3%
0-60	7828	84.7%
0-90	9219	99.8%
90-180	21	0.2%
0-180	9240	100.0%

CCT Data Multiplier

XPQ1B080U30GR	0.906
XPQ1B080U40GR	0.952

XPQ1B 100W 5000K

Input Voltage (VAC)	120-277
System Level Power (W)	97.6
120V Current (A)	0.813
277V Current (A)	0.352
Delivered Lumens (Lm)	12170
System Efficacy (Lm/W)	124.7
Correlated Color Temp (K)	5037
Color Rendering Index (CRI)	70
Power Factor	>0.95
THD	<20%
Beam Angle	106.75°
Spacing Criteria	1.31



Intensity Summary (Candle Power)

Angle	Mean CP
0	4672
5	4660
15	4544
25	4292
35	3788
45	3031
55	2185
65	1275
75	438
85	35
90	2

Cone of Light Tabulation

Mounted height (Feet)	Footcandles Beam Center	Diameter (Feet)
4	63.2	4.2
6	28.1	6.3
8	15.8	8.4
10	10.1	10.4
12	7.0	12.5
14	5.2	14.4
16	4.0	16.5

Zonal Lumen Summary

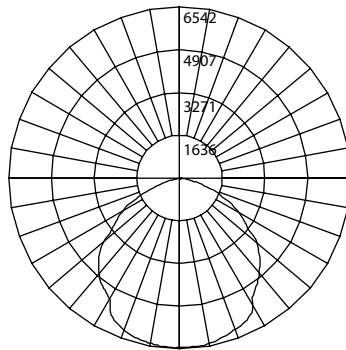
Zone	Lumens	% of Luminaire
0-30	3702	30.4%
0-40	6069	49.9%
0-60	10349	85.0%
0-90	12150	99.8%
90-180	20	0.2%
0-180	12170	100.0%

CCT Data Multiplier

XPQ1B100U30GR	0.906
XPQ1B100U40GR	0.952

XPQ1B 150W 5000K

Input Voltage (VAC)	120-277
System Level Power (W)	139.6
120V Current (A)	1.163
277V Current (A)	0.504
Delivered Lumens (Lm)	17261
System Efficacy (Lm/W)	123.6
Correlated Color Temp (K)	5041
Color Rendering Index (CRI)	70
Power Factor	>0.95
THD	<20%
Beam Angle	108.1°
Spacing Criteria	1.29



Intensity Summary (Candle Power)

Angle	Mean CP
0	6507
5	6498
15	6347
25	5994
35	5311
45	4328
55	3116
65	1844
75	629
85	46
90	5

Cone of Light Tabulation

Mounted height (Feet)	Footcandles Beam Center	Diameter (Feet)
4	63.2	4.2
6	28.1	6.3
8	15.8	8.4
10	10.1	10.4
12	7.0	12.5
14	5.2	14.4
16	4.0	16.5

Zonal Lumen Summary

Zone	Lumens	% of Luminaire
0-30	5173	30.0%
0-40	8504	49.3%
0-60	14662	84.9%
0-90	17223	99.8%
90-180	38	0.2%
0-180	17261	100.0%

CCT Data Multiplier

XPQ1B150U30GR	0.906
XPQ1B150U40GR	0.952

Fixture tested per LM-79-08. Photometric data is of the performance of a representative fixture. Results may vary in the field.

Titan | Hazardous Location LED Flood Light

Photometric Data

Performance Data

Model Number	Lumens	Watts	Lumens/Watt
XPQ1B080U30GR	8874	73.6	120.6
XPQ1B080U40GR	9055	73.6	123.0
XPQ1B080U50GR	9240	73.6	125.5
XPQ1B100U30GR	11688	97.6	119.8
XPQ1B100U40GR	11927	97.6	122.2
XPQ1B100U50GR	12170	97.6	124.7
XPQ1B150U30GR	16577	139.6	118.7
XPQ1B150U40GR	16916	139.6	121.2
XPQ1B150U50GR	17261	139.6	123.6

Ordering Information

Series	Version	Class	Wattage	Voltage	CCTs	Finish	Mounting	Beam Angle	Lens
XPQ	1 (Version 1)	B (C1D2)	080 (80W)	U (100-240/277VAC)	50 (5000 K)	GR (gray)	___ (Trunnion)	___ (120°)	___ (Clear)
			100 (100W)	H (347-480V)*	30 (3000 K)*	P (Trunnion & Pendant)	25 (25°)*	D (Diffused)*	
			150 (150W)		40 (4000 K)*		60 (60°)*		

*Special order. Consult factory for availability.

Accessories

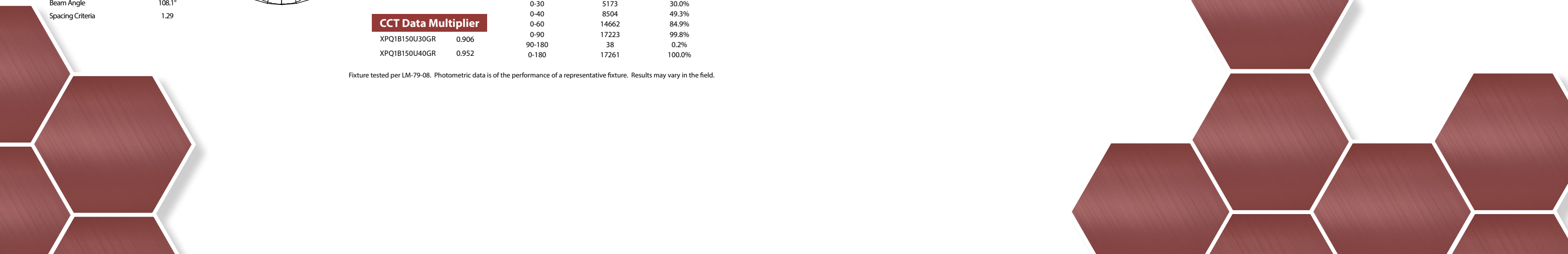
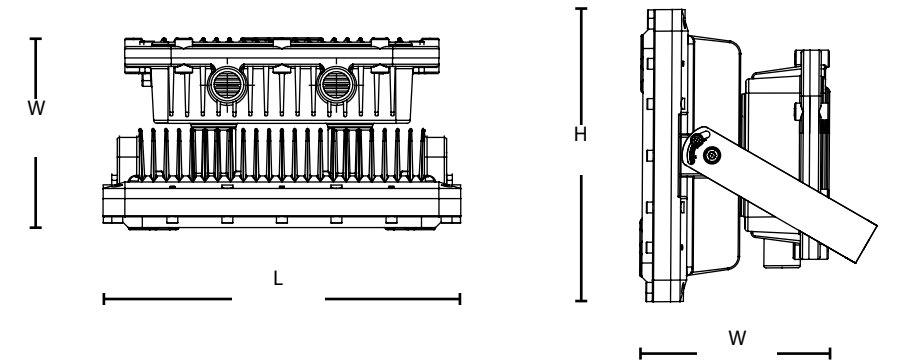
Accessories sold separately

3' Heavy Duty DS Safety Cable	XP1DSCABLE-3
Wire Guard	XPQ1WG

Dimensions

80/100/150

Fixture Length (L)	12.9 in (328 mm)
Fixture Width (W)	6.9 in (176 mm)
Fixture Height (H)	10.7 in (271 mm)



Warehouse Locations

Albuquerque, NM
Atlanta, GA
Buford, GA

Detroit, MI
Roseville, CA

T 800.821.6283

F 800.892.8393

www.nicorlighting.com
www.nicorhazloc.com

2200 Midtown Pl. NE
Albuquerque, NM 87107 USA



LIT-HAZLOC 20230811

©2023 NICOR® • ALL RIGHTS RESERVED



NICOR[®]
HAZOC