



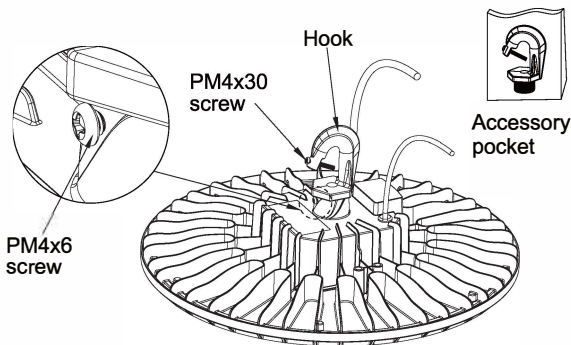
## WARNING

### PLEASE READ ALL INSTRUCTIONS BEFORE ATTEMPTING INSTALLATION

- To prevent personal injury or product damage only licensed electricians should install.
- To avoid electric shock or component damage disconnect power before attempting installation or servicing.
- This product must be installed in accordance with the national electric code (NEC) and all applicable federal, state and local electric codes and safety standards.
- Disconnect product and allow cooling prior to servicing.
- Any alteration or modification of this product is expressly forbidden as it may cause serious personal injury, death, property damage and/or product malfunction.
- To prevent product malfunction and/or electrical shock this product must be properly grounded.
- This luminaire is designed to operate in ambient temperatures ranging from -40°C to 50°C and to be horizontally mounted with the LEDs facing down.
- This product must be installed in accordance with the applicable installation code by a Person familiar with the construction and operation of the product and the hazards involved.
- Min 75°C supply conductors.
- This product is not available for several special environments, such as places with corrosive gas liquids or high pressure water vapor.

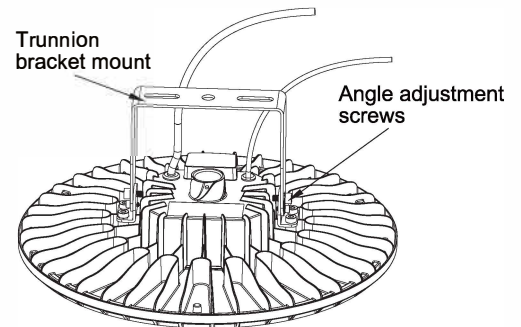
### Hook installation (Default)

1. Tighten the hook into the 3/4 NPS screw hole of the fixture.
2. Tighten the PM4x6 screw beside the hook.
3. Connecting the wire according to the wiring diagram then installation is done.



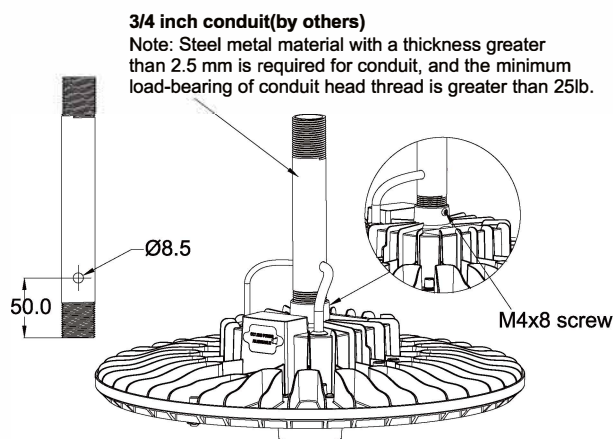
### Trunnion installation (Optional)

1. Secure the fixture to the mounting position, then adjust the desired angle, lock the angle adjustment screw.
2. Connecting the wire according to the wiring diagram then installation is done.



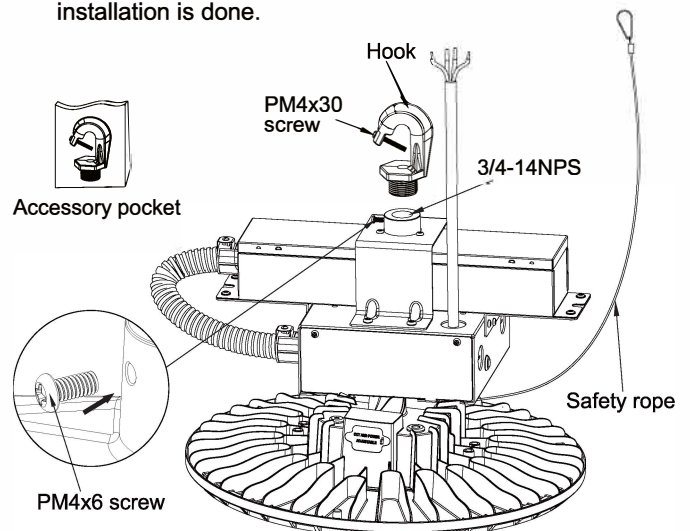
### Pendant mounting with 3/4" conduit (by others) (Optional)

1. Drill holes about 50mm from the bottom of the 3/4 tube, with a hole diameter of 8-9mm.
2. In order to avoid the winding problem when twisting the steel pipe, you can first wind the input line and dimming light counterclockwise on the steel pipe 7-8 times.
3. After twisting the steel pipe, it is necessary to lock the M4x8 screw to prevent loosening.



### With emergency power installation (Optional)

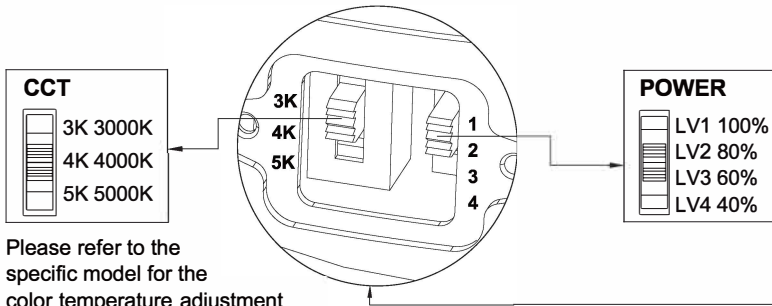
1. Hang up the safety rope firstly, tighten the hook into the 3/4-14NPS hole of the fixture.
2. Tighten the PM4x6 screw beside the hook.
3. Connecting the wire according to the wiring diagram then installation is done.



## Power and CCT selectable version (Optional)

1. Open the silicone plug of the fixture, select the appropriate power and color temperature in the actual application of the sliding dip switch, then install the silicone plug back.

As shown in the following figure:



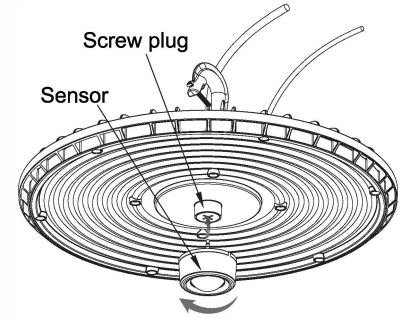
Please refer to the specific model for the color temperature adjustment range. (Monochrome temperature does not have this function)

**Warning:**  
Dialing codes is prohibited when powered.

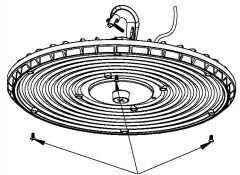
Silicone plug

2. When installing the sensor, remove the screw plug of the fixture, insert the sensor and tighten it clockwise, as shown in the following figure:

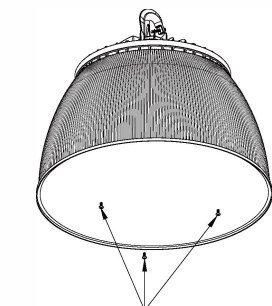
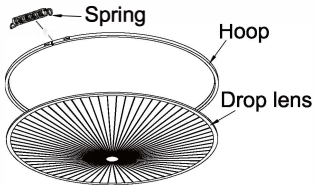
Note: When the emergency function and sensor are used at the same time, the Sensor's stand-by time is less than 90 minutes, the sensor's stand-by time prevails, if you need to prepare for the emergency 90 minutes, you need to set the sensor's stand-by time to more than 90 minutes.



## PC Reflector Mounting (Optional)



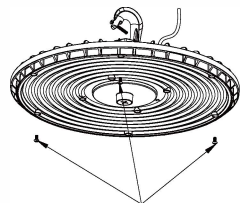
1. Remove the three 120-degree screws on the lens.



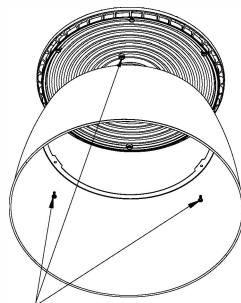
2. Secure the PC reflector using the three PWM4x18 screws provided in the accessory kit.

3. After installing reflector to fixture, add lens cover or drop lens onto bottom of reflector by aligning edges of lens to reflector lip. Wrap the metal alignment hoop around both lens and reflector edges. Use pliers to clamp spring shut and turn fastener on clamp to tighten hoop and secure lens to reflector. Lens cover can only be installed on reflector. Lens cover cannot be directly installed on fixture. (optional)

## Aluminum Reflector installation (Optional)

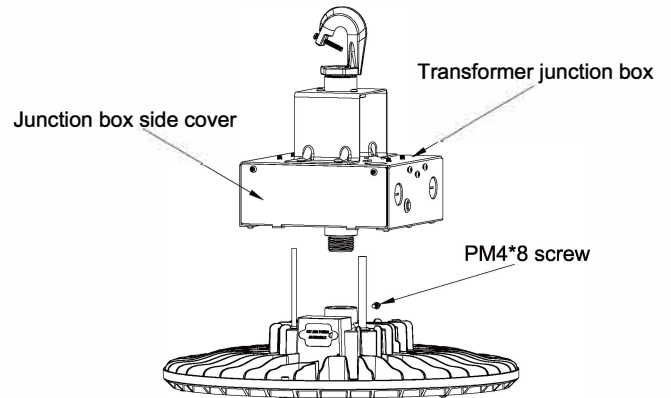


1. Remove the three 120-degree screws on the lens.

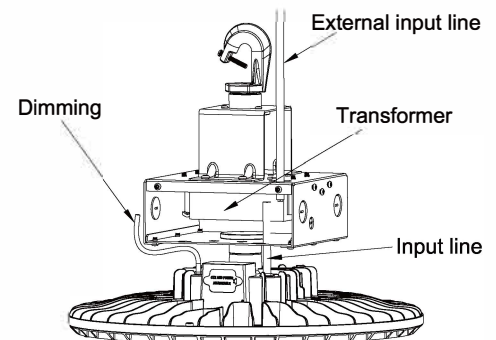


2. Use the three PWM4x14 screws provided in the accessory kit to fix the AL reflector.

## High voltage wiring (Optional)



Twist the transformer junction box and the fixture, and fix it with PM4\*8 screws to prevent loosening.



Open the side cover of the junction box, thread the input wire and the external input wire into the junction box, connect the wire according to the wiring diagram, and cover the side cover.

## WIRING DIAGRAM

### WITHOUT EMERGENCY BATTERY

LED FIXTURES	Black	Line
	White	Neutral
	Green/Yellow Green	Ground
	Purple	DIM+
	Pink	DIM-

### WITH EMERGENCY BATTERY

LED FIXTURES	Red	AC line(24/7)
	Black	AC line switch
	White	Neutral
	Green/Yellow Green	Ground
	Purple	DIM+
	Pink	DIM-

### HIGH VOLTAGE WIRING

