



POLE-MOUNT BULLHORN TENON ADAPTORS

DESCRIPTION

Pole-Mount Bullhorn Tenon Adaptors | Bronze Finish

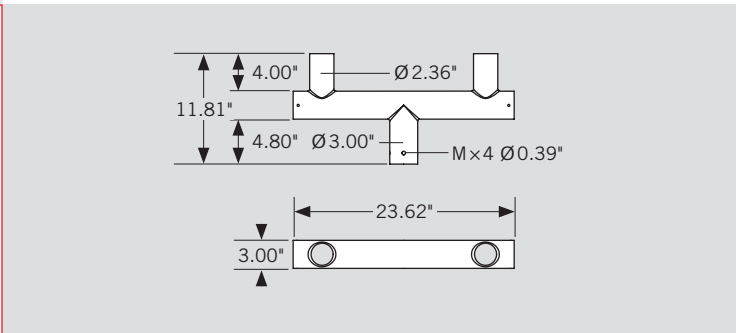
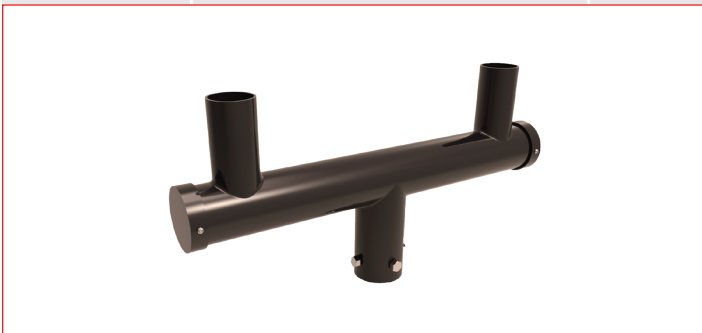
APPLICATION

Maximum allowable load per tenon: 110 lbs.

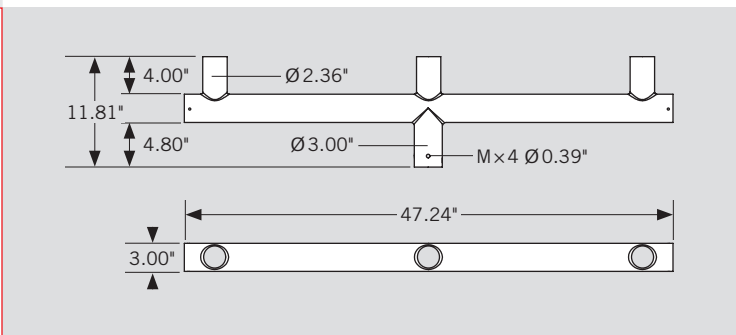


SPECIFICATIONS

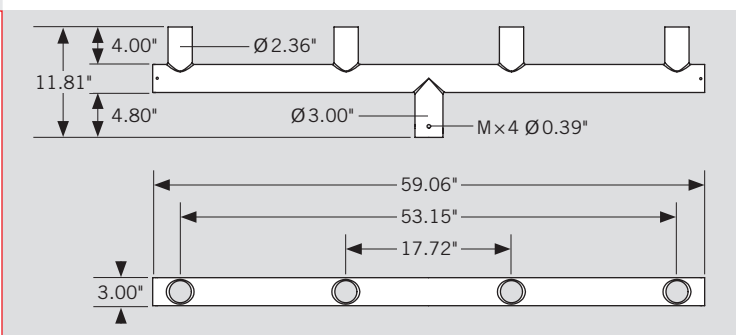
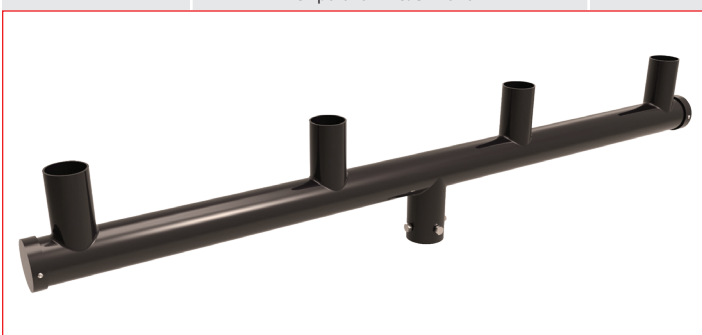
Catalog Number	Description	Finish Color
KT-BH-SF-D180	Dual Bullhorn; In-line 180°; Slips over 2 3/8" Tenon	Bronze



Catalog Number	Description	Finish Color
KT-BH-SF-T180	Triple Bullhorn; In-line 180°; Slips over 2 3/8" Tenon	Bronze



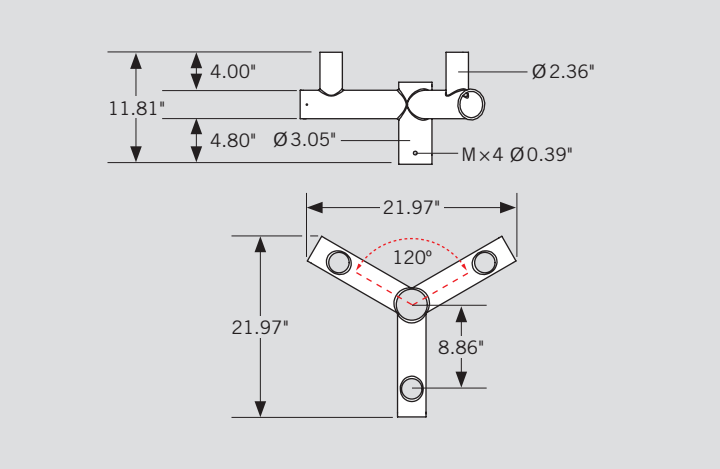
Catalog Number	Description	Finish Color
KT-BH-SF-Q180	Quad Bullhorn; In-line 180°; Slips over 2 3/8" Tenon	Bronze



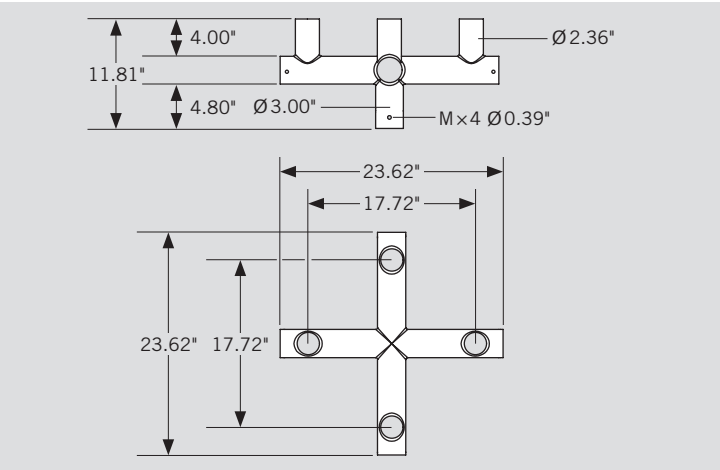
POLE-MOUNT BULLHORN TENON ADAPTORS

SPECIFICATIONS (continued)

Catalog Number	Description	Finish Color
KT-BH-SF-T120	Triple Bullhorn; 120°; Slips over 2 3/8" Tenon	Bronze



Catalog Number	Description	Finish Color
KT-BH-SF-Q90	Quad Bullhorn; 90°; Slips over 2 3/8" Tenon	Bronze





POLE-MOUNT BULLHORN TENON ADAPTORS

ORDERING INFORMATION

ORDER CODE	PACK QTY.	UPC	EASY CODE
KT-BH-SF-D180	1	843654131955	EMY-03
KT-BH-SF-T180	1	843654131962	IMM-81
KT-BH-SF-Q180	1	843654131986	BNN-43
KT-BH-SF-T120	1	843654131979	RYB-72
KT-BH-SF-Q90	1	843654131993	HMR-53

CATALOG NUMBER BREAKDOWN

KT-BH-SF-XX

1 2 3 4 5

- 1 Keystone Technologies
- 2 Mounting Type
- 3 Adaptor Type
- 4 Mounting Configuration
- 5 Adaptor Position

2 Mounting Type

BH	Pole-Mount Bullhorn
----	---------------------

3 Adaptor Type

SF	Slip Fitter
----	-------------

4 Mounting Configuration

D	Dual
T	Triple
Q	Quad

5 Adaptor Position

90	90°
120	120°
180	180°