

## KT-BPLED-SM-14-KIT /G2

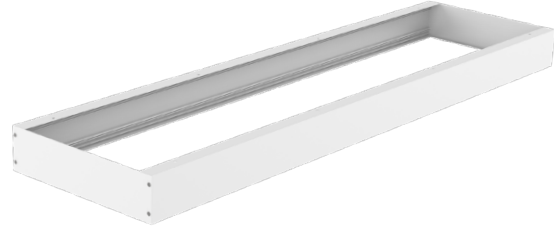
### SURFACE MOUNTING KIT

#### DESCRIPTION

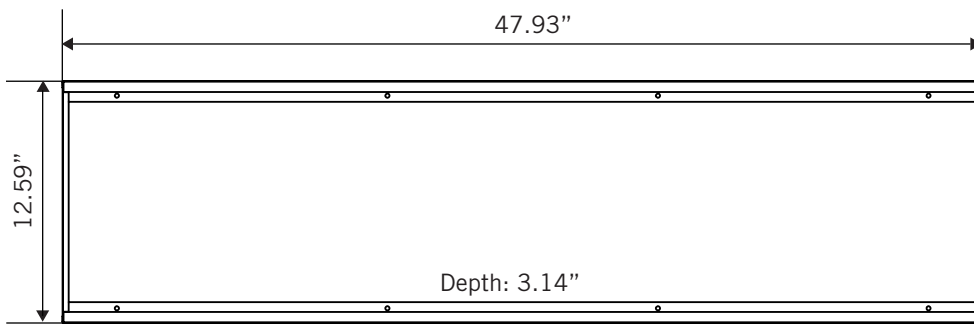
Surface mount kit for 1x4 LED back-lit panel lights. White finish.

#### PRODUCT FEATURES

Mounting hardware included.



#### PRODUCT DIMENSIONS



#### ORDERING INFORMATION

CATALOG NUMBER	CARTON QTY.	EASY CODE	UPC
KT-BPLED-SM-14-KIT /G2	1	GAD-66	843654134529

#### CATALOG NUMBER BREAKDOWN

## KT-BPLED-SM-14-KIT /G2

1
2
3
4
5
6

- 1 Keystone Technologies
- 2 Backlit Panel Light LED Fixture
- 3 Surface Mount
- 4 1' x 4' Size
- 5 Kit
- 6 2nd Generation