



KT-EMRG-LED-5C-500-EN /DF

CONSTANT WATTAGE LED EMERGENCY BACK-UP



DESCRIPTION

LED Emergency Back-Up Driver | Dual Flex Conduit | 5W Output | 120–277V Input

DRIVER TYPE: Constant Wattage LED Emergency

MAX. OUTPUT POWER: 5W

INPUT VOLTAGE: 120–277Vac $\pm 10\%$

OUTPUT VOLTAGE: 20–60Vdc

OUTPUT CURRENT: 250–86mA

WARRANTY: 5 Years



PRODUCT FEATURES

- Drives LED loads at 5W (nominal) for a minimum of 90 minutes
- Meets FCC Part 15 (Class B) consumer limits
- Short circuit overload and open load protection
- Suitable for dry and damp locations
- Safety Standard: UL 924, Complies with CEC Title 20 Efficiency Standards
- Operating temperature: 0°C/32°F to 55°C/131°F
- Input frequency: 50/60 Hz
- Test switch/Charging indicator light and wall plate included
- Battery capacity: High-Temperature, Maintenance-Free, LiFePO4 Battery, 9.6Vdc, 3 cell
- Dual flex conduit fits into ½" knockouts
- Listed for field or factory installation: UL 924 and CSA C22.2 no. 141 emergency lighting compliant
- 3A max. pass-through current

ELECTRICAL SPECIFICATIONS

Family	INPUT CHARACTERISTICS			OUTPUT CHARACTERISTICS		
	Input Voltage	Power Factor	Max. Current	Max. Output Power	Rated Output Current	Output Voltage
5W	120–277Vac	≥ 0.5	0.050A @ 120V 0.035A @ 240V 0.030A @ 277V	5W	250mA–86mA	20–60Vdc Class 2 Compliant

Emergency pack designed to deliver 5W to a constant current LED load. Approximate output is 500 lumens, assuming a nominal minimum efficacy of 100 lm/W.

ENVIRONMENTAL SPECIFICATIONS

Operating Temperature	0°C/32°F to 55°C/131°F
Storage Temperature	-20°C/-4°F to 55°C/131°F
Humidity	5% to 95%
MTBF	284,000 hours at 40°C ambient (~55°C/131°F Case temp)
Life Rating	97,500 hours at 120Vac input, 100% load and 55°C/131°F case temperature
Maximum Case Temperature	55°C/131°F

SAFETY AND EMC COMPLIANCE

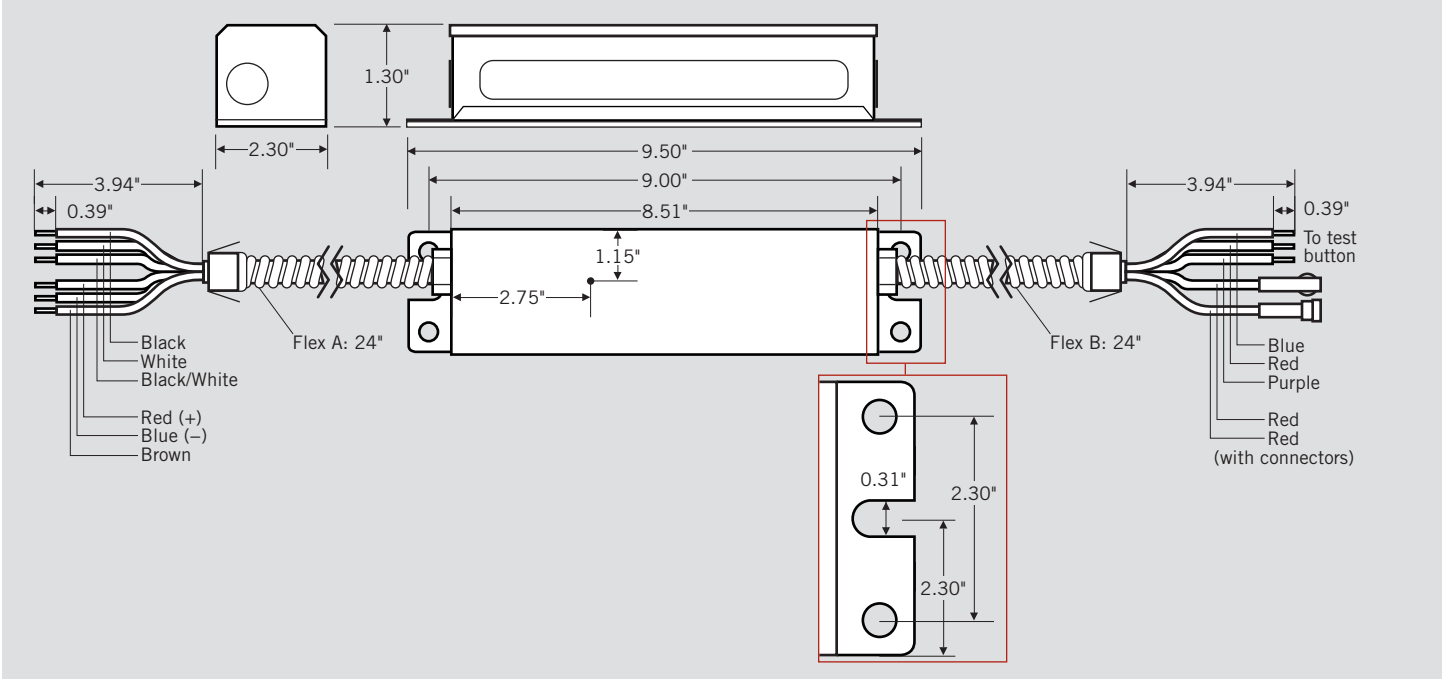
UL/cUL	UL 924
FCC, 47CFR Part 15	ANSI C63.4:2009 Class B (Consumer Limit)
EN61000-3-2	Harmonic Current Emissions Class C



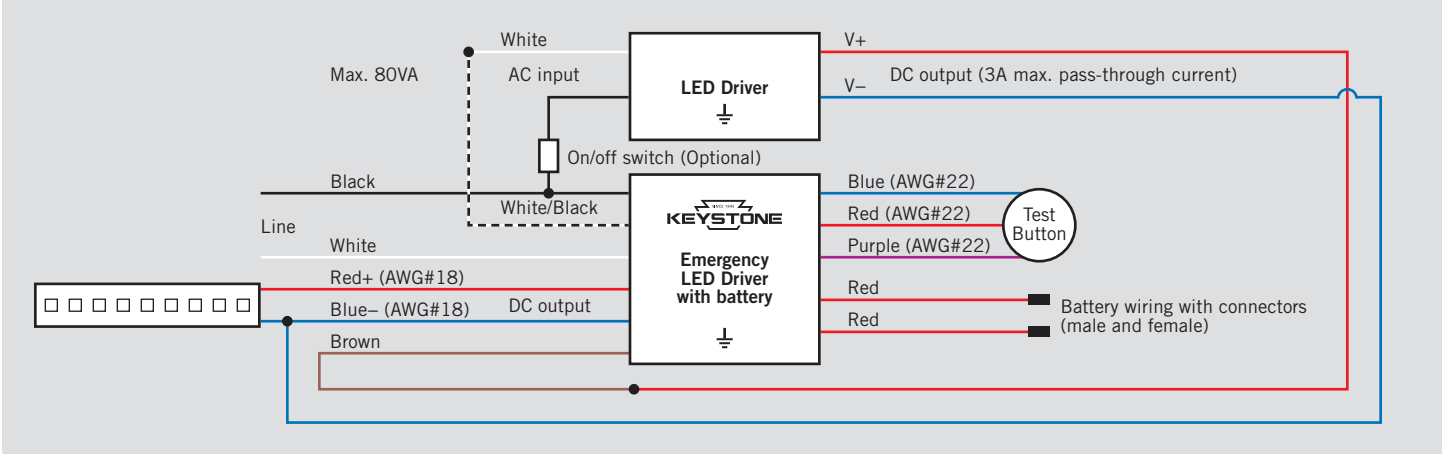
KT-EMRG-LED-5C-500-EN /DF

CONSTANT WATTAGE LED EMERGENCY BACK-UP

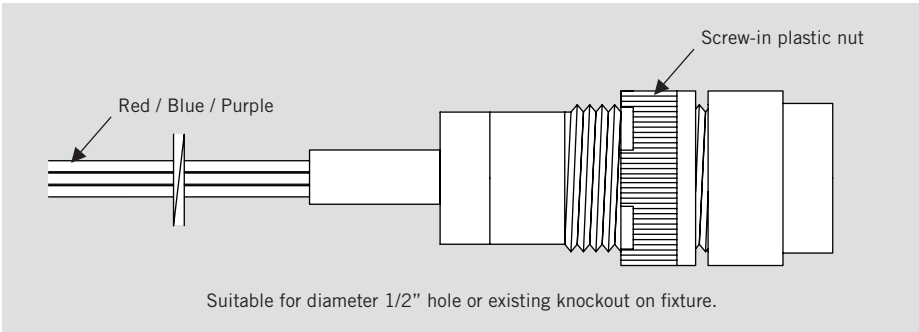
PHYSICAL SPECIFICATIONS



WIRING SPECIFICATIONS



TEST SWITCH

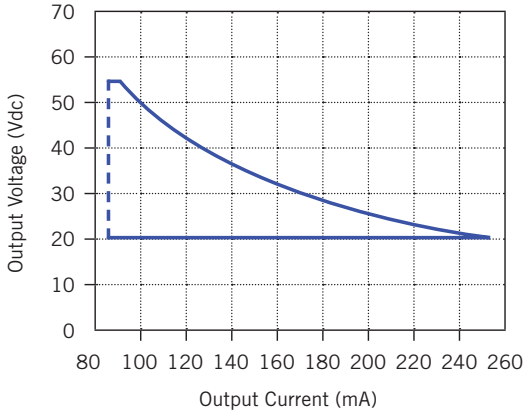




KT-EMRG-LED-5C-500-EN /DF

CONSTANT WATTAGE LED EMERGENCY BACK-UP

DRIVER OUTPUT WINDOW



ORDERING INFORMATION

ORDER CODE	DESCRIPTION	PACK QUANTITY	EASY CODE	UPC
KT-EMRG-LED-5C-500-EN /DF-IP	1-Piece LED Emergency Back-up with Dual Flex Conduit	1	RAR-74	843654132433

CATALOG NUMBER BREAKDOWN

KT-EMRG-LED-5C-500-EN /DF-IP

- 1
- 2
- 3
- 4
- 5
- 6
- 7
- 8

- 1** Keystone Technologies
- 2** Emergency Back-up Driver
- 3** LED Driver
- 4** Wattage Family
- 5** Nominal Lumen Output
- 6** 1-Piece Enclosure
- 7** Dual Flex Conduit
- 8** Packaging Style