

# KT-LED115PSHID-V-EX39-8CSB-D

## HID LED HIGH BAY LAMP

### DESCRIPTION

HID LED High Bay Lamp | Power Select | Color Select

### APPLICATION

Used for surface-mount commercial, industrial, and home lighting applications (including supermarkets, warehouses, garages, offices, hotels, hospitals, schools, streets, homes, gardens, and other general area lighting requirements)

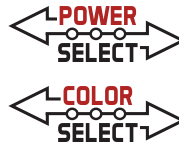


### PRODUCT FEATURES

- Keystone Power Select technology (115/95/80W)
- Keystone Color Select technology (3000/4000/5000K)
- Designed for easy screw in installation of various sensors and controllers. See below pages for details
- Powered by Keystone internal LED driver which lets you bypass the ballast
- Direct replacement for metal halide lamps
- Not compatible with standard dimmers or phase dimmers. Dimming functions with sensors only
- 5% uplight
- Clear polycarbonate lens
- Suitable for use in enclosed fixtures. Minimum compartment dimensions: 14.17" x 14.17" x 13.78"
- 6kV surge protection
- IP64 rated
- L70: >50,000 hours @ 25°C fixture ambient
- Ambient operating temperature: -40°C/-40°F to 50°C/122°F

### PERFORMANCE SPECIFICATIONS

Catalog Number	Input Voltage	Wattage	CCT	Lumens Output	Efficacy	CRI	Power Factor	Lifetime
KT-LED115PSHID-V-EX39-8CSB-D	120-277V	115W	3000K	15,180 lm	132 lm/W	>80	>0.9	50,000 hrs
			4000K	17,136 lm	149 lm/W			
			5000K	16,560 lm	144 lm/W			
		95W	3000K	13,205 lm	139 lm/W			
			4000K	14,352 lm	151 lm/W			
			5000K	13,965 lm	147 lm/W			
		80W	3000K	11,360 lm	142 lm/W			
			4000K	12,166 lm	152 lm/W			
			5000K	12,160 lm	152 lm/W			

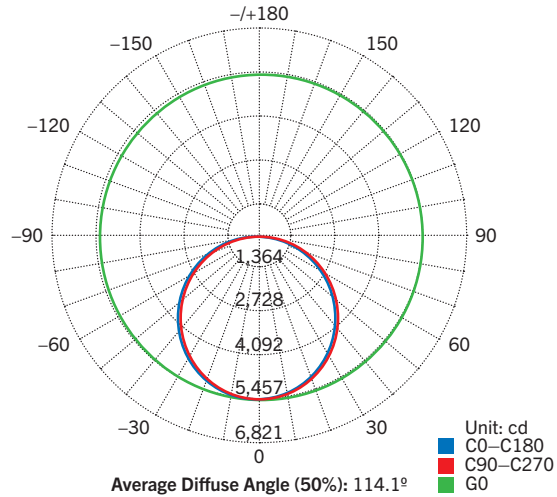


# KT-LED115PSHID-V-EX39-8CSB-D

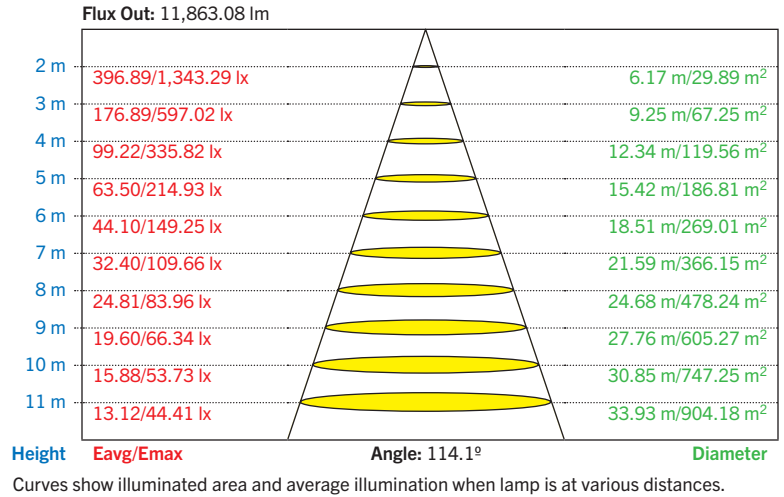
## HID LED HIGH BAY LAMP

### PHOTOMETRIC SPECIFICATIONS

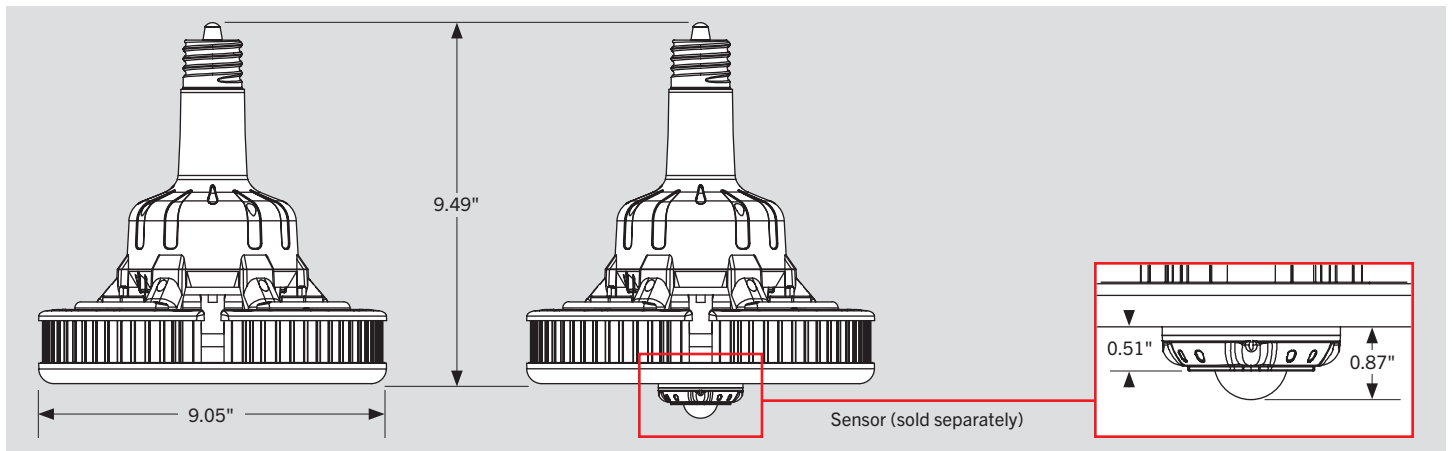
#### POLAR CANDELA DISTRIBUTION



#### LUX DISTANCE CURVE



### PHYSICAL SPECIFICATIONS



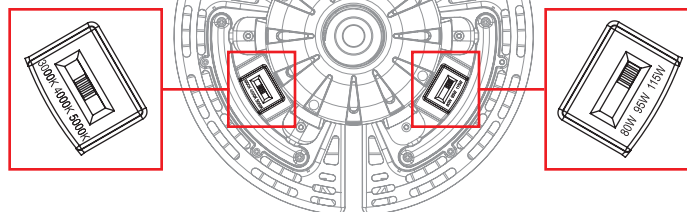
### POWER SELECT (WATTAGE) AND COLOR SELECT (CCT) ADJUSTMENT

This fixture is equipped with Power Select and Color Select technology.

1. Ensure power is off to the fixture.
2. Adjust dip switches to desired settings.

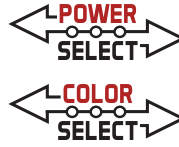
#### COLOR SELECT ADJUSTMENT

Set dip switch to adjust CCT between 5000K, 4000K, and 3000K. Fixture comes preset at 5000K.



#### POWER SELECT ADJUSTMENT

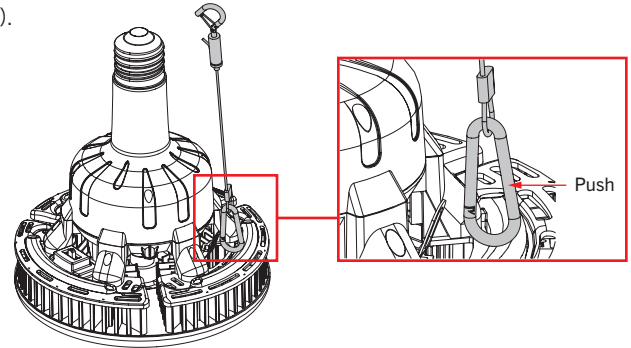
Set dip switch to adjust wattage between 80W, 95W, and 115W. Fixture comes preset at 115W.



## KT-LED115PSHID-V-EX39-8CSB-D HID LED HIGH BAY LAMP

### FIXTURE INSTALLATION INSTRUCTIONS

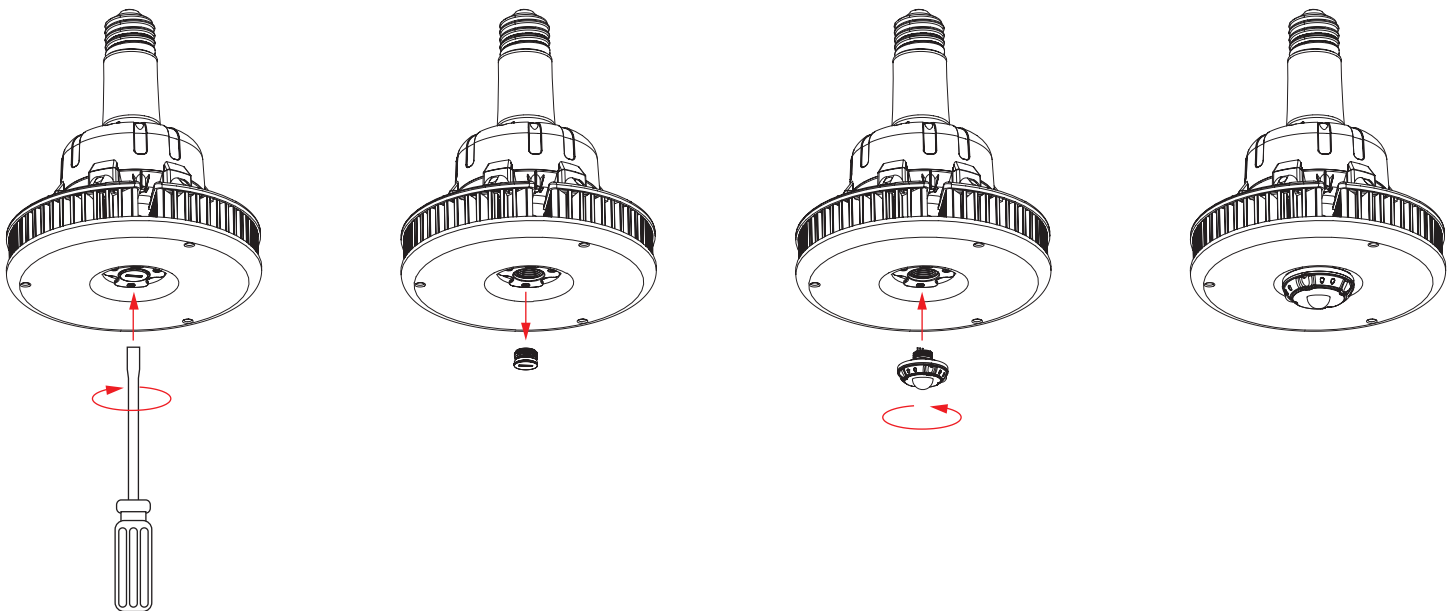
1. Ensure power is off to the fixture.
2. Remove any existing lamps, ballasts, capacitors, or ignitors.
3. Screw in Keystone HID LED replacement lamp and hand-tighten it.
4. Attach security cable from lamp to structure, if desired (see illustration).
5. Re-connect power when ready.

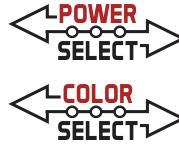


### OPTIONAL SENSOR OR CONTROLLER INSTALLATION INSTRUCTIONS

1. Ensure power is off to the fixture.
2. Use a flat-blade screwdriver to unscrew the 1/2" knock-out; remove knock-out plug.
3. Adjust lamp to maximum wattage (115W) to avoid abnormal sensor behavior (see **Power Select and Color Select Adjustment**, page 2).
4. Screw in sensor or controller and hand-tighten it.
5. Re-connect power when ready.

*Note: MW3 and PIR3 sensors can be controlled with KTS-MW3-REMOTECONTROL (sold separately).*





# KT-LED115PSHID-V-EX39-8CSB-D

## HID LED HIGH BAY LAMP

### ACCESSORIES (SOLD SEPARATELY)

#### MICROWAVE OCCUPANCY SENSOR

Catalog Number	Description	UPC	Easy Code
KTS-MW3-12V-PKO	Microwave occupancy sensor; Preset for 10 min hold time, no min standby time at 50% dim, daylight disabled	843654135212	TRM-32



#### PASSIVE INFRARED (PIR) OCCUPANCY SENSOR

Catalog Number	Description	UPC	Easy Code
KTS-PIR3-12V-PKO /G2	PIR occupancy sensor; Preset for 1 min hold time, 1 min standby time at 20% dim, daylight disabled	843654146447	GLF-99



#### REMOTE CONTROL

Catalog Number	Description	UPC	Easy Code
KTS-MW3-REMOTECONTROL	Remote Control for KTS-MW3-12V-XX and KTS-PIR-12V-XX Sensors. Sets/adjusts all sensor performance parameters	843654132020	XSR-61



#### SMART LOOP

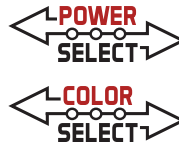
Catalog Number	Description	UPC	Easy Code
KTSL-FC3-12V-PKO-PIR	Bluetooth mesh wireless Smart Port LED controller for SmartLoop system with integrated daylight and PIR motion sensor.	843654138862	OCW-60
KTSL-FC4-12V-PKO	Bluetooth mesh wireless screw-in low voltage fixture controller for SmartLoop system	843654149066	RUN-10



KTSL-FC3-12V-PKO-PIR



KTSL-FC4-12V-PKO



# KT-LED115PSHID-V-EX39-8CSB-D

## HID LED HIGH BAY LAMP

### ORDERING INFORMATION

ORDER CODE	PACK QTY.	UPC	Easy Code
KT-LED115PSHID-V-EX39-8CSB-D	1	843654134918	OEA-36

### CATALOG NUMBER BREAKDOWN

# KT-LED115PSHID-V-EX39-8CSB-D

1 2 3 4 5 6 7 8 9 10 11

- 1 Keystone Technologies
- 2 LED Technology
- 3 Wattage
- 4 Power Select
- 5 Lamp Type
- 6 Vertical Orientation
- 7 Base Type
- 8 80 CRI
- 9 Color Select
- 10 Color Select Designation
- 11 Direct Drive

### 10 Color Select Designation

B	3000/4000/5000K
---	-----------------