



KT-LED33PSPAR38-F-8XX

REPLACEMENT FLOOD LAMP

DESCRIPTION

Commercial PAR38 Flood Lamp | Power-Selectable | 3000–5000K | >80 CRI



LAMP TYPE: Commercial PAR 38
BASE TYPE: E26 (Medium)
SELECTABLE WATTAGE: 33W, 25W, 18W
COLOR TEMPERATURE: 3000K, 4000K, 5000K
METAL HALIDE EQUIVALENT: 250W, 150W, 100W
COLOR RENDERING INDEX (CRI): >80
WARRANTY: 5 Years



PRODUCT FEATURES

- Features Keystone Power Select technology. Adjust power between 33W, 25W, or 18W
- Up to 75% energy saving compared to legacy equivalent lamps
- Can be used in base-up or base-down position
- Rated for open and recessed fixtures
- Large metal heatsink for optimal heat dissipation
- Ideal for recessed corridor and high-power flood lighting
- THD: <20%
- PF: >0.90
- Operating temperature range: -4°F/-20°C to 113°F/45°C
- Suitable for dry and damp location
- Meets Energy Star requirements
- UL 1993 and 1598C Rated
- Rated lifetime: L70 25,000 hours

PERFORMANCE SPECIFICATIONS

Catalog Number	CCT	Input Voltage	Selectable Power	Lumens	Efficacy	Light Distribution	Dimmable	Legacy Equivalency
KT-LED33PSPAR38-F-830	3000K	120-277V	33W	3,790	115 lm/W	40°	No	100-150W Metal Halide
			25W	3,100	124 lm/W			70-100W Metal Halide
			18W	2,370	132 lm/W			250W Halogen/70W Metal Halide
KT-LED33PSPAR38-F-840	4000K	120-277V	33W	4,050	123 lm/W	40°	No	100-150W Metal Halide
			25W	3,300	132 lm/W			70-100W Metal Halide
			18W	2,520	140 lm/W			250W Halogen/70W Metal Halide
KT-LED33PSPAR38-F-850	5000K	120-277V	33W	4,120	125 lm/W	40°	No	100-150W Metal Halide
			25W	3,350	134 lm/W			70-100W Metal Halide
			18W	2,550	142 lm/W			250W Halogen/70W Metal Halide

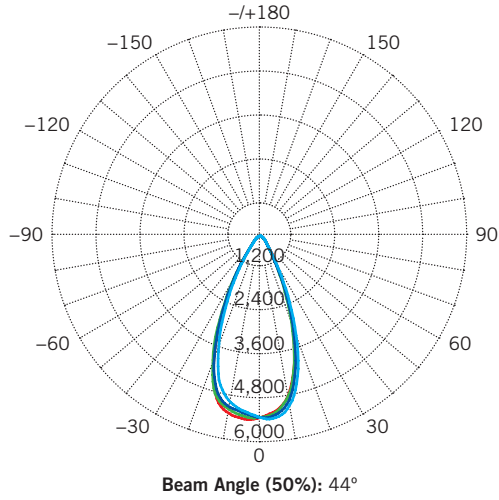


KT-LED33PSPAR38-F-8XX

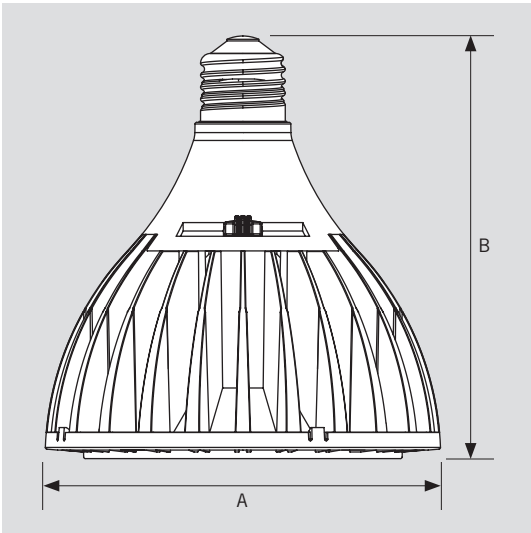
REPLACEMENT FLOOD LAMP

PHOTOMETRIC SPECIFICATIONS

POLAR CANDELA DISTRIBUTION



PHYSICAL CHARACTERISTICS



LAMP DIMENSIONS

A (Length)	5.04"
B (Diameter)	4.72"

BASE TYPE: E26 (Medium)



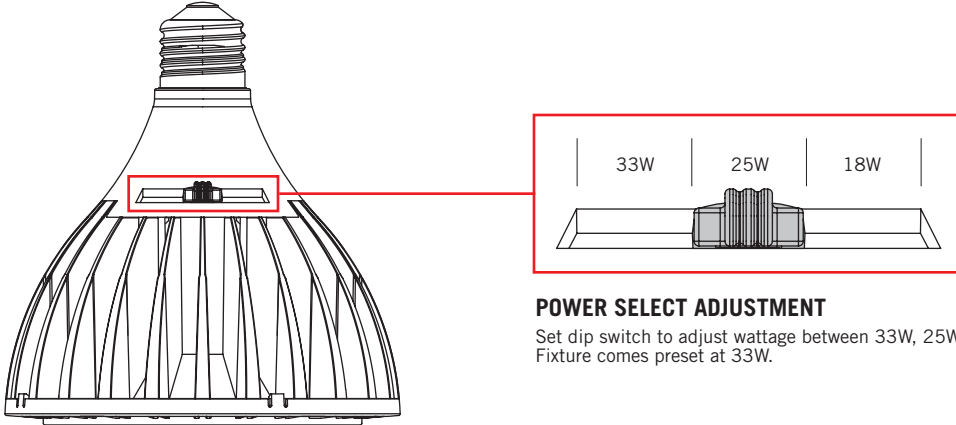
KT-LED33PSPAR38-F-8XX

REPLACEMENT FLOOD LAMP

POWER SELECT (WATTAGE) ADJUSTMENT

This fixture is equipped with Power Select technology.

1. Ensure power is off to the fixture.
2. Adjust dip switch to desired setting.



POWER SELECT ADJUSTMENT

Set dip switch to adjust wattage between 33W, 25W, and 18W. Fixture comes preset at 33W.

ORDERING INFORMATION

ORDER CODE	PACK QTY.	UPC	Easy Code
KT-LED33PSPAR38-F-830	1	843654135441	LUD-13
KT-LED33PSPAR38-F-840	1	843654135458	IOH-07
KT-LED33PSPAR38-F-850	1	843654135465	QSI-81

CATALOG NUMBER BREAKDOWN

KT-LED33PSPAR38-F-8XX

1
2
3
4
5
6
7
8
9

- 1** Keystone Technologies
- 2** LED Technology
- 3** Wattage
- 4** Power Selectable
- 5** Parabolic Aluminized Reflector
- 6** 4.75" Diameter
- 7** Standard Flood
- 8** 800 Series
- 9** Color Temperature