



# ESSENTIAL SERIES

GENERAL PURPOSE LED BULBS

## KT-LED8BR30-9XX

REPLACEMENT LAMP



### DESCRIPTION

8W BR30 Lamp | 2700–5000K | >90 CRI | Standard Flood

<b>LAMP TYPE:</b> BR30
<b>BASE TYPE:</b> E26 (Medium)
<b>WATTAGE:</b> 8W
<b>COLOR TEMPERATURE:</b> 2700–5000K
<b>COLOR RENDERING INDEX (CRI):</b> > 90
<b>WARRANTY:</b> 2 Years
<b>RATED LIFE:</b> L70 (15,000 Hours)



### TYPICAL APPLICATIONS

- Recessed Downlights
- Track Lighting
- Surface Mount Ceiling Fixtures

### PRODUCT FEATURES

- Energy Efficient, 80%+ Energy Savings over Legacy Equivalents
- Lower Heat Generation than Legacy Equivalents
- PF >0.90
- Complies with Part 15 of FCC
- Smooth diffused lens for comfortable glare free performance
- HiCRI LED's offer enhanced color rendering vs 80 CRI LED's, providing ideal clarity, representation, and uniformity of illuminated area/objects
- Title 24 JA8 compliant with 3000K and below
- Title 20 Compliant
- Operating temperature range –4°F/–20°C to 95°F/35°C
- Long Life minimizes replacement and maintenance costs
- ANSI complaint construction ensures fitment for intended applications
- Meets Energy Star requirements
- UL Listed
- Smooth, uniform dimming
- Durable Plastic housing lowers the risk for breakage

### ELECTRICAL AND PERFORMANCE SPECIFICATIONS

Keystone Catalog Number	Description	Color Temp	Input Voltage	Rated Lamp Wattage	Legacy Equivalent Wattage	Base Type	Lumens	CRI	Light Distribution	Dimmable	Efficacy
KT-LED8BR30-927	BR30 bulb. Standard flood, dimmable	2700K	120V	8W	65W halogen	E26	700	>90	120	Yes	88 lm/W
KT-LED8BR30-930	BR30 bulb. Standard flood, dimmable	3000K	120V	8W	65W halogen	E26	700	>90	120	Yes	88 lm/W
KT-LED8BR30-940	BR30 bulb. Standard flood, dimmable	4000K	120V	8W	65W halogen	E26	700	>90	120	Yes	88 lm/W
KT-LED8BR30-950	BR30 bulb. Standard flood, dimmable	5000K	120V	8W	65W halogen	E26	700	>90	120	Yes	88 lm/W



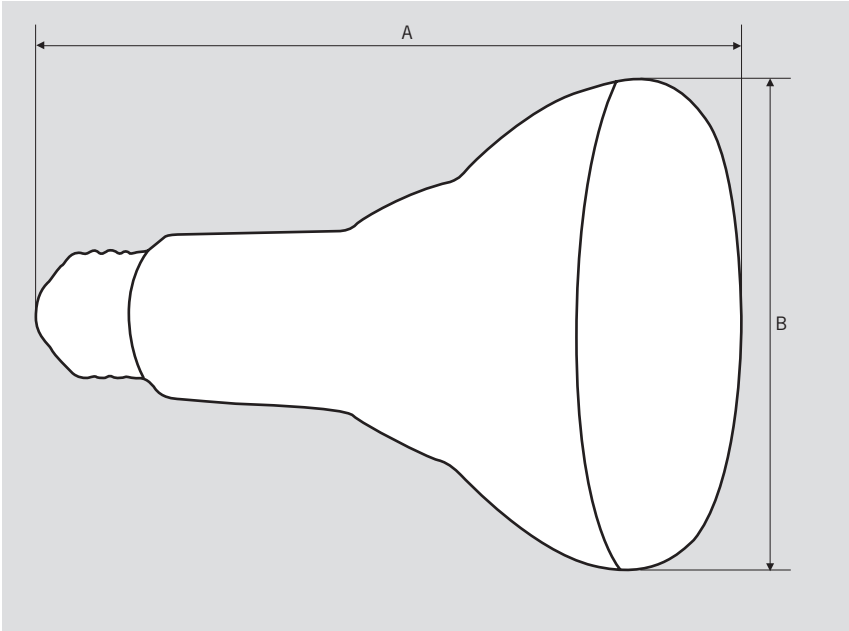
# ESSENTIAL SERIES

GENERAL PURPOSE LED BULBS

## KT-LED8BR30-9XX

REPLACEMENT LAMP

### PHYSICAL CHARACTERISTICS



### PACKAGING

Carton Quantity	24 pcs
Carton Dimensions	15.91" × 12.05" × 12.13"
Carton Weight	8.9 lbs

### LAMP DIMENSIONS

A (Length)	5.28"
B (Diameter)	3.74"

BASE TYPE: E26 (Medium)

### ORDERING INFORMATION

ORDER CODE	CARTON QUANTITY	ITEM STATUS
KT-LED8BR30-9XX	24 pcs	Active

### CATALOG NUMBER BREAKDOWN

# KT-LED8BR30-9XX

- 1
- 2
- 3
- 4
- 5
- 6

- 1 Keystone Technologies
- 2 LED Lamp
- 3 Wattage
- 4 Lamp Shape
- 5 900 Series
- 6 Color Temperature