

POLE-MOUNT TOP TENON ADAPTORS

DESCRIPTION

Pole-Mount Top Tenon Adaptors | Bronze Finish

APPLICATION

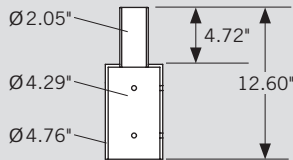
Maximum allowable load per tenon: 110 lbs.



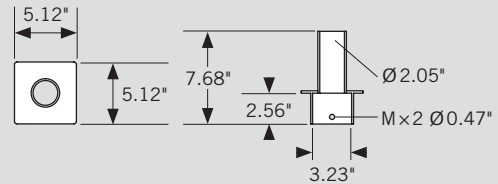
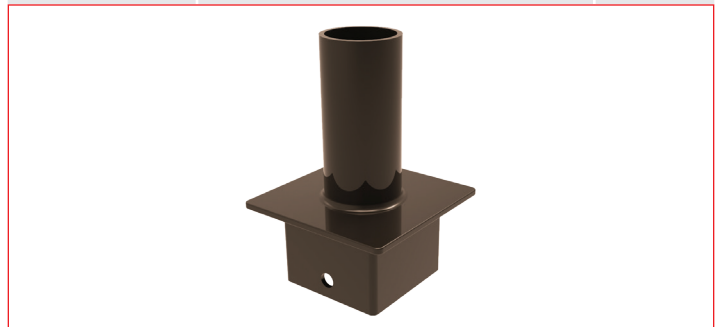
5 YEAR
WARRANTY

SPECIFICATIONS

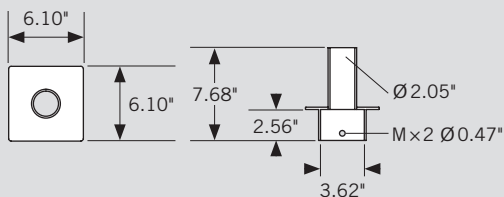
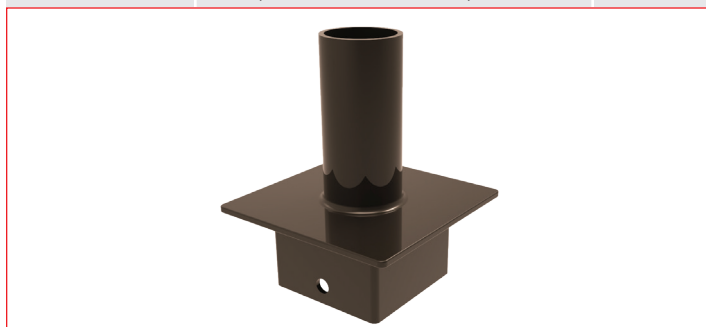
Catalog Number	Description	Finish Color
KT-PMTT-4R-SV	Pole-Mount Single 2 3/8" Tenon; Top-Mount Vertical for 4" Round Pole	Bronze



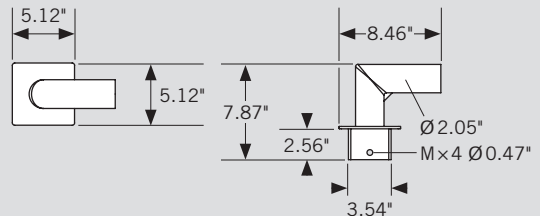
Catalog Number	Description	Finish Color
KT-PMTT-4SQ-SV	Pole-Mount Single 2 3/8" Tenon; Top-Mount Vertical for 4" Square Pole	Bronze



Catalog Number	Description	Finish Color
KT-PMTT-5SQ-SV	Pole-Mount Single 2 3/8" Tenon; Top-Mount Vertical for 5" Square Pole	Bronze



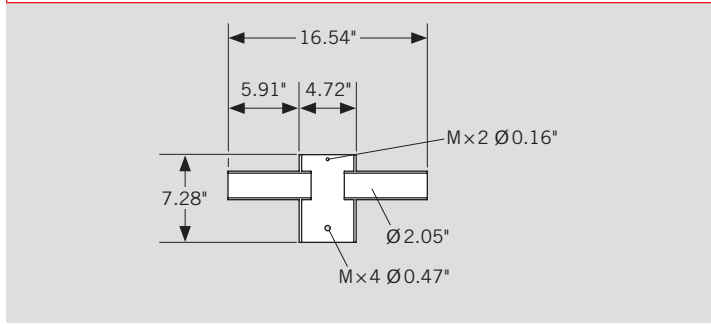
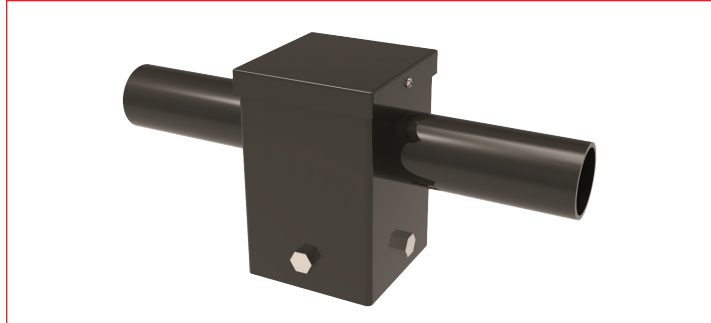
Catalog Number	Description	Finish Color
KT-PMTT-4SQ-S90	Pole-Mount Single 2 3/8" Tenon; Top-Mount Horizontal 90° for 4" Square Pole	Bronze



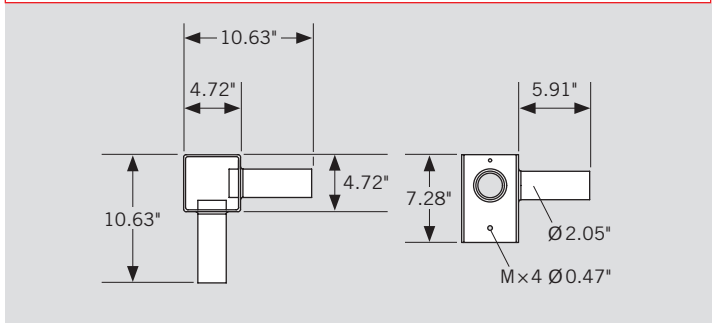
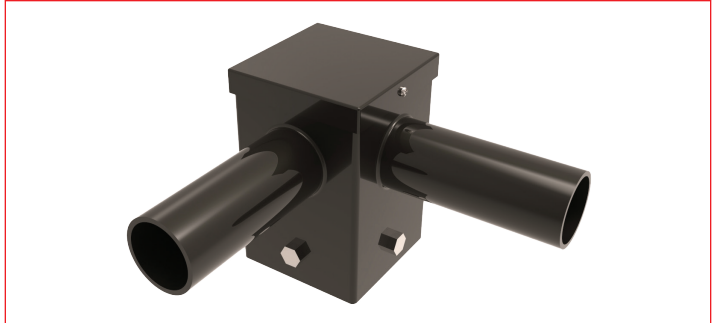
POLE-MOUNT TOP TENON ADAPTORS

SPECIFICATIONS (continued)

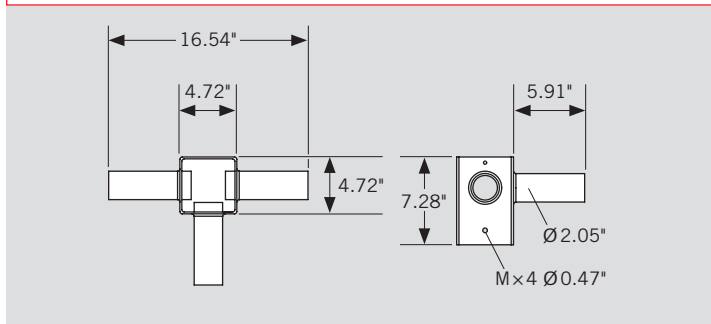
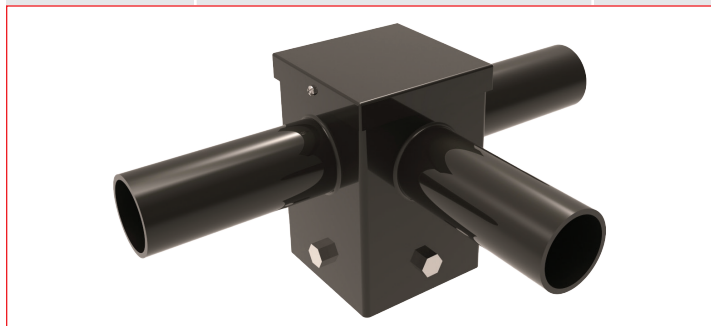
Catalog Number	Description	Finish Color
KT-PMTT-4SQ-D180	Pole-Mount Dual 2 3/8" Tenon; Top-Mount Horizontal 180° for 4" Square Pole	Bronze



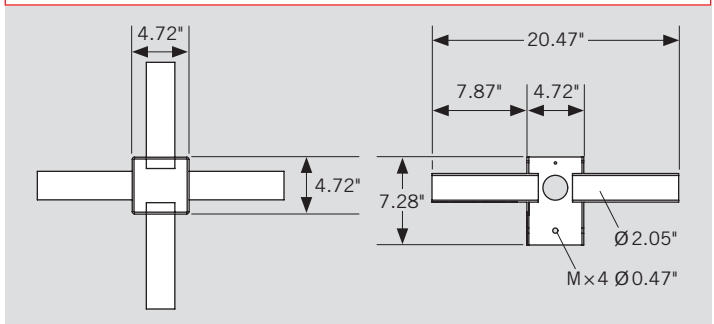
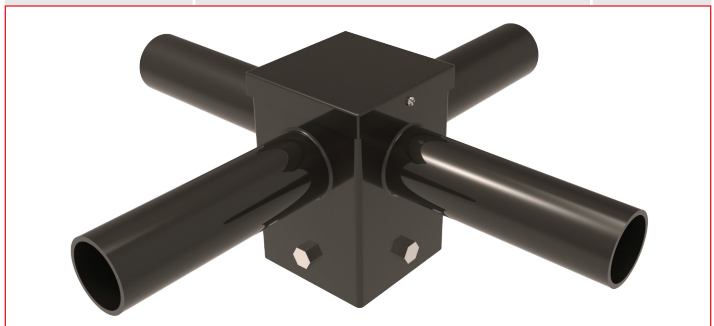
Catalog Number	Description	Finish Color
KT-PMTT-4SQ-D90	Pole-Mount Dual 2 3/8" Tenon; Top-Mount Horizontal 90° for 4" Square Pole	Bronze



Catalog Number	Description	Finish Color
KT-PMTT-4SQ-T90	Pole-Mount Triple 2 3/8" Tenon; Top-Mount Horizontal 90° for 4" Square Pole	Bronze



Catalog Number	Description	Finish Color
KT-PMTT-4SQ-Q90	Pole-Mount Quad 2 3/8" Tenon; Top-Mount Horizontal 90° for 4" Square Pole	Bronze





POLE-MOUNT TOP TENON ADAPTORS

ORDERING INFORMATION

ORDER CODE	PACK QTY.	UPC	Easy Code
KT-PMTT-4R-SV	1	843654131870	JAK-61
KT-PMTT-4SQ-SV	1	843654131887	AXO-59
KT-PMTT-5SQ-SV	1	843654131894	ZBQ-74
KT-PMTT-4SQ-S90	1	843654131900	TNS-19
KT-PMTT-4SQ-D180	1	843654131917	WRQ-19
KT-PMTT-4SQ-D90	1	843654131924	EBM-27
KT-PMTT-4SQ-T90	1	843654131931	WEU-95
KT-PMTT-4SQ-Q90	1	843654131948	LKO-88

CATALOG NUMBER BREAKDOWN

KT-PMTT-XX-XX

1 2 3 4 5 6 7

- 1 Keystone Technologies
- 2 Mounting Type
- 3 Mounting Position
- 4 Pole Diameter
- 5 Pole Shape
- 6 Mounting Configuration
- 7 Adaptor Position

2 Mounting Type

PM	Pole-Mount
----	------------

3 Mounting Position

TT	Top Tenon
----	-----------

4 Pole Diameter

4	4"
5	5"

5 Pole Shape

R	Round
SQ	Square

6 Mounting Configuration

S	Single
D	Dual
T	Triple
Q	Quad

7 Adaptor Position

V	Vertical
90	Horizontal 90°
180	Horizontal 180°