

KT-RHLED-JBOX-PM /G2

INSTALLATION INSTRUCTIONS

STEP 1

Open the side cover of the junction box and cut the tie. Take out the accessories as shown in *Figures 1 and 2*.

Figure 1

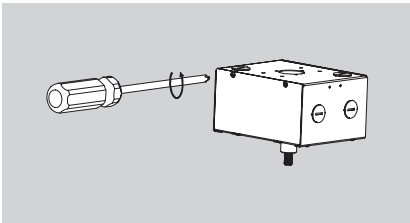
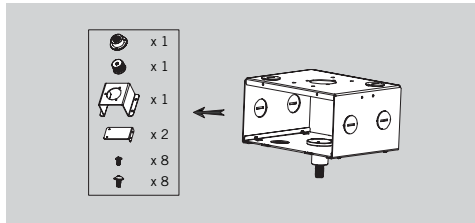


Figure 2



STEP 2

The included parts can be used for M10 threaded hole installation (for use with eyebolt included with fixture), as shown in *Figure 3*, or with 3/4" NPT, as shown in *Figure 4*. If not using a step-down transformer, insert and attach the outlet to the junction box for your specific application. Screw the fixture onto the bottom threads of the junction box and screw in appropriate setscrews. Installation is complete.

If using a step-down transformer, insert and attach the outlet through the bracket and attach the bracket to the junction box, as shown in *Figure 5*. Proceed to Step 3.

WITHOUT STEP-DOWN TRANSFORMER

Figure 3

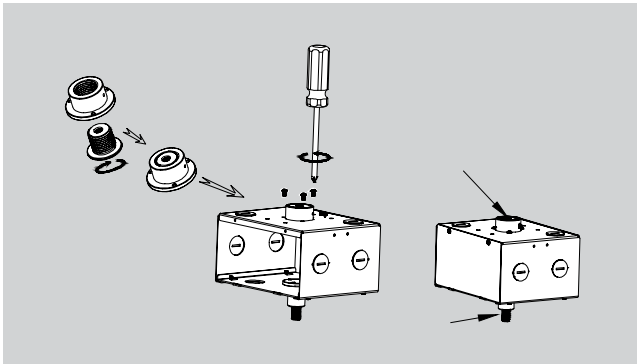
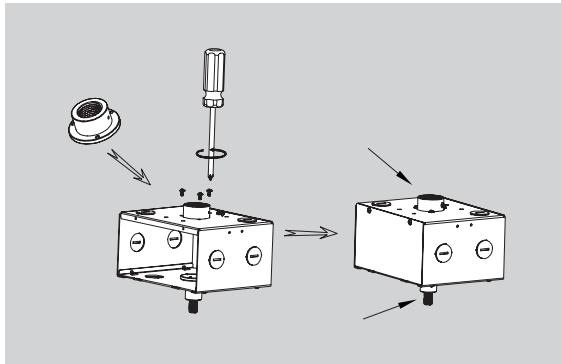
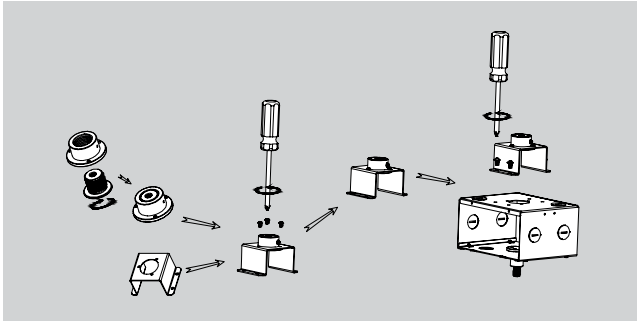


Figure 4



WITH STEP-DOWN TRANSFORMER

Figure 5



KT-RHLED-JBOX-PM /G2

STEP 3

Attach the extension brackets onto the sides of the junction box and screw the step-down transformer to the brackets, as shown in *Figure 6*. Screw the fixture onto the bottom threads and screw in appropriate setscrews. Installation is complete.

Figure 6

