



# KT-SWLED45PS-4A-8CSA-VDIM-P

## LED STAIRWELL FIXTURE

### DESCRIPTION

4' LED Stairwell Fixture | 120–277V Input | Frosted Lens | 0–10V Dimming | Premium Series

### APPLICATION

Used in commercial and retail applications. Ideal for use in stairwells, corridors, and hallways.



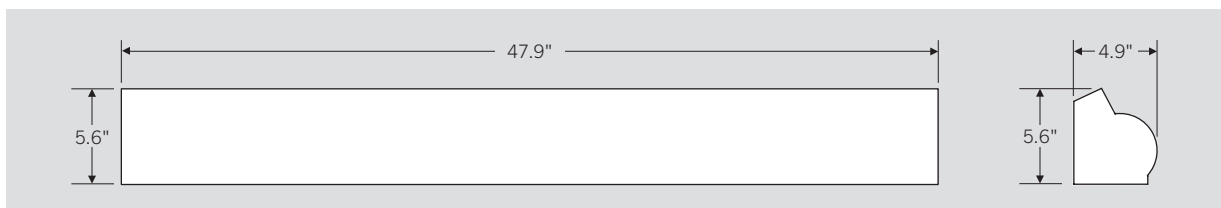
### PRODUCT FEATURES

- Powered by Keystone 0–10V dimming LED drivers
- Post-painted steel body; PMMA lens
- Smooth, diffused lens for an even appearance
- 0-10V dimming
- Compatible with Keystone SmartSafe emergency LED drivers: KT-EMRG-LED-5C-500 or KT-EMRG-LED-12C-1200 are optimal for fixture level installation
- Includes integrated ultrasonic dimming occupancy sensor
- Ambient operating temperature: –20°C/–4°F to 50°C/122°F
- UL Listed 1598: Suitable for damp locations
- THD: < 20%
- Power factor: > 0.95
- L70: > 50,000 hours
- DLC Listed
- Keystone Color Select Technology: Adjustable CCT (3500K, 4000K, or 5000K)
- Keystone Power Select Technology: Adjustable wattage (45W, 35W, or 30W)

### PRODUCT SPECIFICATIONS

Catalog Number	Wattage	CCT	Lumen Output	Efficacy	Input Voltage	CRI	Dimming	Lifetime
KT-SWLED45PS-4A-8CSA-VDIM-P	45W	3500K	5,490	122 lm/W	120-277V	> 80	0–10V Dim-to-Off	50,000 hrs
		4000K	5,535	123 lm/W				
		5000K	5,580	124 lm/W				
	35W	3500K	4,480	128 lm/W				
		4000K	4,515	129 lm/W				
		5000K	4,550	130 lm/W				
	30W	3500K	3,930	131 lm/W				
		4000K	3,960	132 lm/W				
		5000K	3,990	133 lm/W				

### PHYSICAL SPECIFICATIONS





# KT-SWLED45PS-4A-8CSA-VDIM-P

## LED STAIRWELL FIXTURE

### SENSOR INFORMATION

**Occupancy Sensing:** 0–10V dimmer connects to 0–10V control on the LED driver. When motion is detected the sensor will bring lighting up to 100% lumen output. When no motion is detected for the length of selected Time Delay, the sensor will send a signal to dim lighting to a specific level set by the end-user.

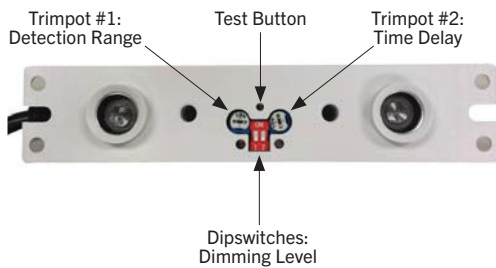
**Test Mode:** Test Mode sets the time delay to five seconds and runs for 5 minutes. LED flashes 2 times to indicate Test Mode started. After 5 minutes (or push the Test Mode button again), LED flashes 3 times, the sensor returns to the selected time delay. During test mode, full output when triggered, and dimming level reflects the dip switch setting.

**Relay Control:** Two additional High and Low motion outputs can be used to control relays or other control circuitry.

<b>Sensor Type</b>	Ultrasonic occupancy sensor
<b>Input Voltage   Current Consumption</b>	12–24VDC   45mA sensor
<b>0–10V Output</b>	100mA, up to 50 LED sink drivers
<b>High</b>	V <sub>in</sub> –2.5V 100mA source
<b>Low</b>	100mA sink current
<b>Mounting Height</b>	Fixture wall mount or ceiling mount at 8–12' (2.4–3.7m)
<b>[Low/Med/High] Max Range* (Wall-Mounted)</b>	13' (4.0m) / 18' (5.5m) / 35' (10.7m)
<b>Time Delays (TD1)</b>	1 min, 5 min, 20 min
<b>Operating Temperature</b>	–30°C/–22°F to 70°C/158°F
<b>Storage Temperature</b>	–40°C/–40°F to 80°C/176°F
<b>Relative Humidity</b>	90–95% non-condensing at 30°C/86°F
<b>Color</b>	White
<b>Warranty</b>	5 years

*\*Results may vary based on mounting height, angle, floor material, and line-of-sight.*

### SETTINGS ADJUSTMENTS

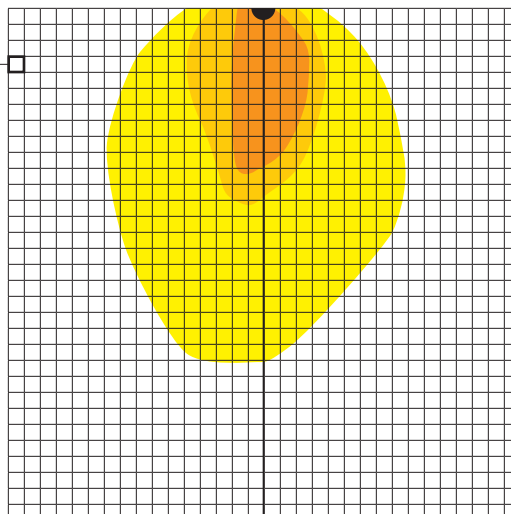


Dipswitch 1	Dipswitch 2	DIM Level
OFF	OFF	OFF
OFF	ON	10%
ON	OFF	25%
ON	ON	50%

### LIGHTING COVERAGE AND DISTRIBUTION PATTERN

- Photometric layout for general reference only
- Stairwell fixture wall-mounted at 7.9 ft
- Aerial view
- Grid dimension: 1.64 sq ft (0.5 sq m)

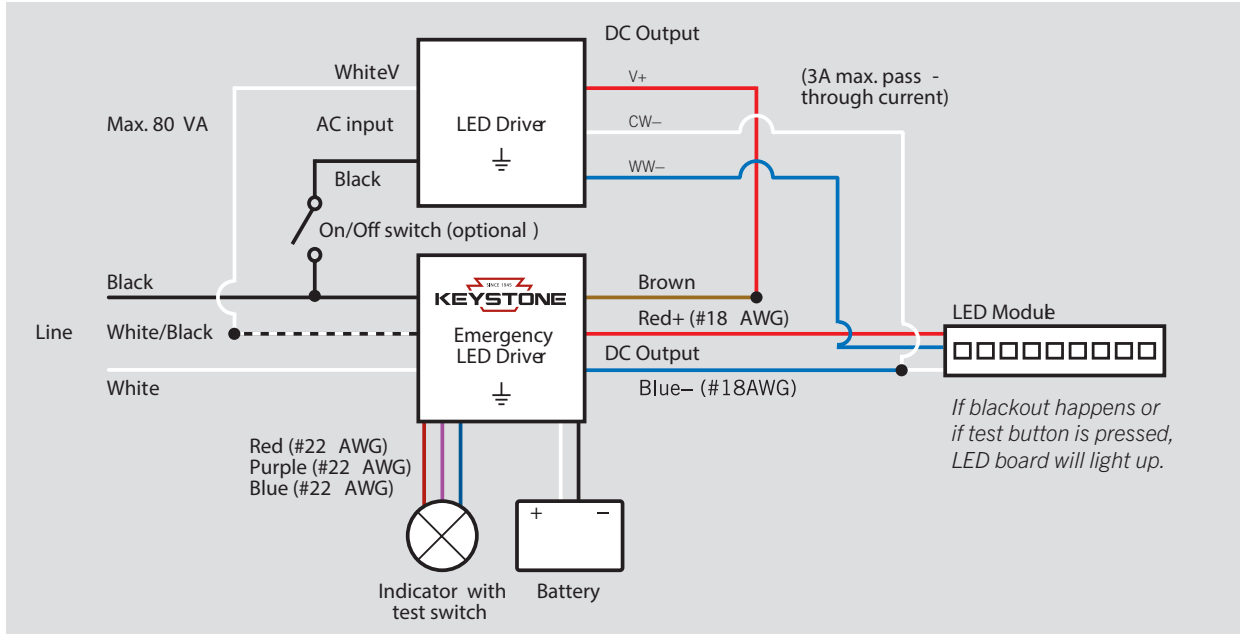
- High Coverage
- Medium Coverage
- Low Coverage



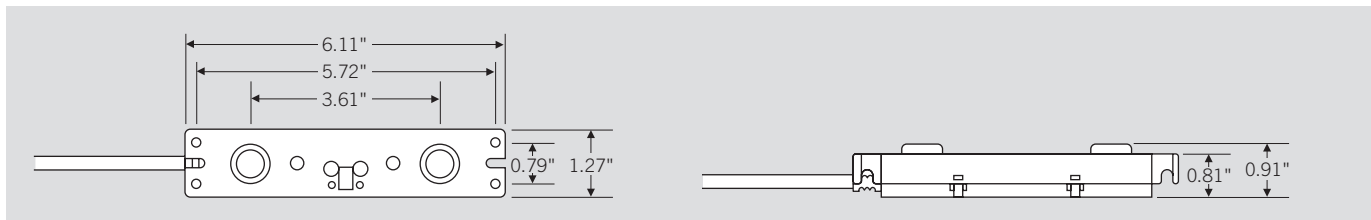
# KT-SWLED45PS-4A-8CSA-VDIM-P

## LED STAIRWELL FIXTURE

### EMERGENCY PACK WIRING DIAGRAM



### SENSOR SPECIFICATIONS





# KT-SWLED45PS-4A-8CSA-VDIM-P

## LED STAIRWELL FIXTURE

### ORDERING INFORMATION

Catalog Number	Pack Quantity	Easy Code	UPC
KT-SWLED45PS-4A-8CSA-VDIM-P	TBD	TBD	TBD

### ACCESSORIES (SOLD SEPARATELY)

Accessory	Catalog Number	Description
SmartSafe Emergency Battery Backup	KT-EMRG-LED-5C-500	5W, 500 lumen SmartSafe emergency battery backup with narrow battery
	KT-EMRG-LED-12C-1200	12W, 1200 lumen SmartSafe emergency battery backup with narrow battery
Wire Guard	KT-SWLED-WG-2-KIT	Wire Guard for 4A LED Stairwell fixture

### CATALOG NUMBER BREAKDOWN

# KT-SWLED45PS-4A-8CSA-VDIM-P

1
2
3
4
5
6
7
8
9
10
11
12

- 1** Keystone Technologies
- 2** LED Stairwell Fixture
- 3** Wattage
- 4** Power Select
- 5** 4' Nominal Length
- 6** Light Distribution Type
- 7** 800 Series
- 8** Color Select
- 9** Color Select Designation
- 10** 0–10V Dimming
- 11** Premium Series
- 12** Options

#### 9 Color Select Designation

<b>A</b>	3500K, 4000K, 5000K
<b>B</b>	3000K, 4000K, 5000K
<b>C</b>	3000K, 3500K, 4000K, 5000K

#### 12 Options

<b>Blank</b>	No Options
<b>/EMRG-5</b>	Factory-installed 5W Emergency Pack
<b>/EMRG-12</b>	Factory-installed 12W Emergency Pack