

# KT-VTLED75PS-4A-8CSA-VDIM

## LED VAPORTIGHT FIXTURE

### DESCRIPTION

4' LED Vaportight Fixture | 120–277V Input | Frosted Lens | 0–10V Dimming

### APPLICATION

Used for commercial and industrial rugged or outdoor applications



### PRODUCT FEATURES

- Features Keystone Color Select technology. Adjust CCT between 3500K, 4000K, or 5000K
- Features Keystone Power Select technology. Adjust power between 75W, 64W, and 44W
- Powered by Keystone 0–10V dimming LED drivers
- Traditional design, narrow body, Vapor Tight fixture, suitable for rugged, demanding applications
- Compatible with Keystone SmartSafe emergency LED drivers
- Compatible with Keystone occupancy sensors
- Ambient operating temperature: –20°C/–4°F to 50°C/122°F
- IP66, suitable for wet location
- ETL Sanitation Listed NSF/ANSI Standard 2 - Food Equipment, Splash Zone (Not for Direct Food Zone)
- THD: <20%
- Power factor >0.95

### POWER AND COLOR TEMPERATURE SELECTABILITY

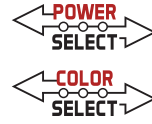
- Keystone Color Select Technology: Adjustable CCT (3500K/4000K/5000K)
- Keystone Power Select Technology: Adjustable Wattage (75W/64W/44W)

### PRODUCT SPECIFICATIONS

Catalog Number	Input Voltage	Wattage	Color Temperature	Lumens	Efficacy	Rated Life	CRI	Power Factor
KT-VTLED75PS-4A-8CSA-VDIM*	120-277V	75W	3500K	9,750	130 lm/W	50,000 hrs	>80	>0.9
			4000K	9,825	131 lm/W			
			5000K	9,900	132 lm/W			
		64W	3500K	8,512	133 lm/W			
			4000K	8,576	134 lm/W			
			5000K	8,640	135 lm/W			
		44W	3500K	6,160	140 lm/W			
			4000K	6,204	141 lm/W			
			5000K	6,248	142 lm/W			

**ONE CATALOG NUMBER WITH 9 DIFFERENT OPTIONS**

\* Preset to highest lumen output (75W / 5000K)  
 \* Color Uniformity: CCT (Correlated Color Temperature) range as per guidelines outlined in ANSI C78.377-2017.

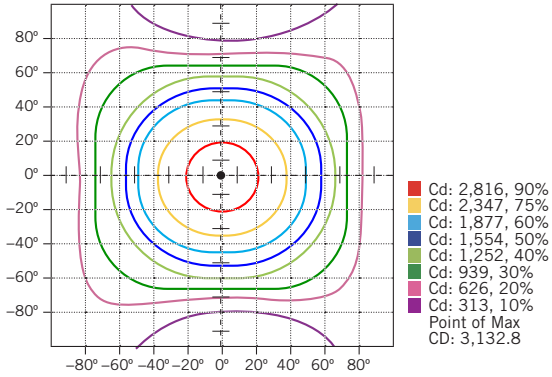


# KT-VTLED75PS-4A-8CSA-VDIM

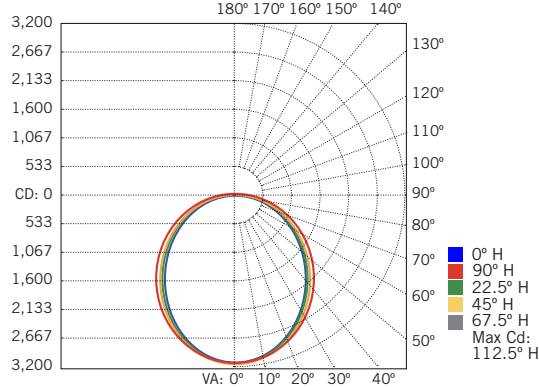
## LED VAPORTIGHT FIXTURE

### PHOTOMETRIC SPECIFICATIONS

ISOCANDELA PLOT



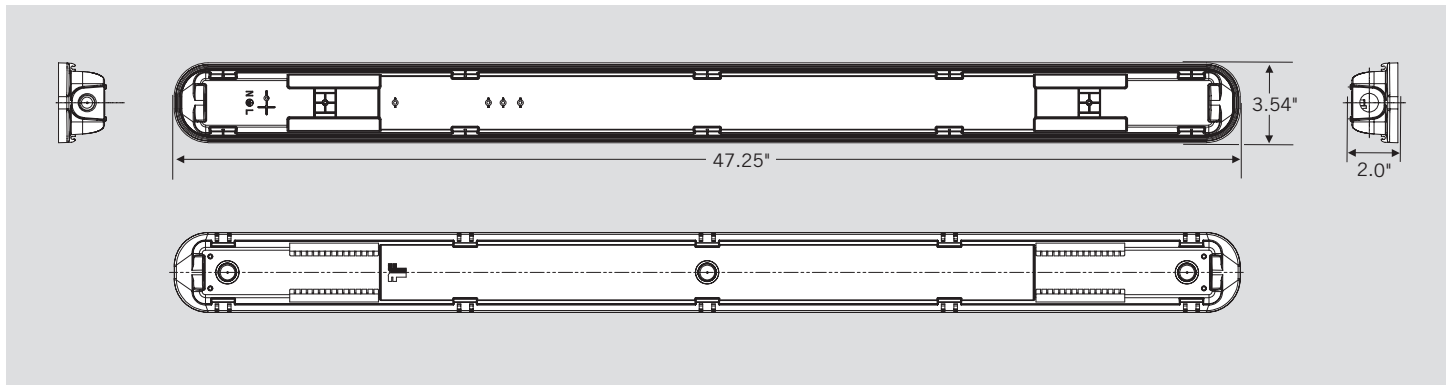
POLAR CANDELA DISTRIBUTION



ZONAL LUMEN SUMMARY

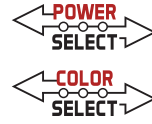
Zone	Lumens	% Luminaire
0-30	2,355.8	24.9%
0-40	3,815.7	40.3%
0-60	6,679.3	70.5%
60-90	2,294.3	24.2%
70-100	1,439.1	15.2%
90-120	439.3	4.6%
0-90	8,973.5	94.7%
90-180	499.7	5.3%
0-180	9,473.3	100%

### PHYSICAL SPECIFICATIONS



### ACCESSORIES (SOLD SEPARATELY)

Catalog Number	Description
KT-VTLED-45SM-1-KIT	45 Deg Surface Mounting Kit for LED Vapor Tight fixtures. Includes two brackets and 4 nuts and bolts
KT-VTLED-TPSCREW-KIT	Screw for tamper-proofing vapor tight fixture. Includes bag of 14 screws
KTS-MW3-UV-KO-K2	Microwave Sensor Kit, Includes 120-277V input to 12V DC convertor, IP65 12V input sensor head, nomex sleeve, extension neck
KT-EMRG-LED-5C-500	LED Emergency Back-Up, 5W Constant Wattage Design, Approx 500 lumens



# KT-VTLED75PS-4A-8CSA-VDIM

## LED VAPORTIGHT FIXTURE

**ORDERING INFORMATION**

Order Code	Pack Quantity	Easy Code	UPC
KT-VTLED75PS-4A-8CSA-VDIM	1	BTM-22	843654134468

**CATALOG NUMBER BREAKDOWN**

# KT-VTLED75PS-4A-8CSA-VDIM

<b>1</b>	<b>2</b>	<b>3</b>	<b>4</b>	<b>5</b>	<b>6</b>	<b>7</b>	<b>8</b>	<b>9</b>	<b>10</b>	<b>11</b>															
<b>1 Keystone Technologies</b>	<b>2 LED Vaportight Fixture</b>	<b>3 Wattage</b>	<b>4 Power Select</b>	<b>5 4' Nominal Length</b>	<b>6 Lamp Type</b>	<b>7 800 Series</b>	<b>8 Color Temperature</b>	<b>9 Color Select Designation</b>	<b>10 0-10V Dimming</b>	<b>11 Additional Options</b>															
							<table border="1" style="width: 100%; border-collapse: collapse;"> <tr> <td style="width: 20%; text-align: center;"><b>40</b></td> <td style="text-align: center;">4000K</td> </tr> <tr> <td style="text-align: center;"><b>50</b></td> <td style="text-align: center;">5000K</td> </tr> <tr> <td style="text-align: center;"><b>CS</b></td> <td style="text-align: center;">Color Select</td> </tr> </table>	<b>40</b>	4000K	<b>50</b>	5000K	<b>CS</b>	Color Select	<table border="1" style="width: 100%; border-collapse: collapse;"> <tr> <td style="width: 20%; text-align: center;"><b>A</b></td> <td style="text-align: center;">3500K, 4000K, 5000K</td> </tr> <tr> <td style="text-align: center;"><b>B</b></td> <td style="text-align: center;">3000K, 4000K, 5000K</td> </tr> <tr> <td style="text-align: center;"><b>C</b></td> <td style="text-align: center;">3000K, 3500K, 4000K, 5000K</td> </tr> </table>	<b>A</b>	3500K, 4000K, 5000K	<b>B</b>	3000K, 4000K, 5000K	<b>C</b>	3000K, 3500K, 4000K, 5000K	<table border="1" style="width: 100%; border-collapse: collapse;"> <tr> <td style="width: 20%;"></td> <td style="text-align: center;">No Option</td> </tr> <tr> <td style="text-align: center;"><b>/MW</b></td> <td style="text-align: center;">Microwave Occupancy Sensor Installed</td> </tr> </table>		No Option	<b>/MW</b>	Microwave Occupancy Sensor Installed
<b>40</b>	4000K																								
<b>50</b>	5000K																								
<b>CS</b>	Color Select																								
<b>A</b>	3500K, 4000K, 5000K																								
<b>B</b>	3000K, 4000K, 5000K																								
<b>C</b>	3000K, 3500K, 4000K, 5000K																								
	No Option																								
<b>/MW</b>	Microwave Occupancy Sensor Installed																								