



KT-WDLED8-4A-9CSF-FDIM-G

4" LED GIMBAL DOWNLIGHT

DESCRIPTION

4" LED Gimbal Downlight |
 Color Select Technology |
 Remote Driver with Built-in Junction Box

APPLICATION

Ideal for residential, hospitality, retail, office, and other retrofit and new construction applications



PRODUCT FEATURES

- Ideal for new construction, remodel, and retrofit applications
- Gimbal construction features up to 25° vertical tilt, 355° horizontal rotation
- Keystone Color Select technology offers SKU reduction and allows for easy, on-the-job adjustments
- Powered by Keystone TRIAC dimming LED driver, 10–100% dimming
- Utilizes a remote driver with built-in junction box and quick disconnect; Eliminates the need for a traditional, multi-piece fixture setup
- Suitable for use in wet locations
- Airtight and Type IC-rated
- Ambient operating temperature: –30°C/–22°F to 40°C/104°F
- Power factor: >0.90
- THD: <20%
- LED chip lifetime: L70 >50,000 hrs @ 25°C/77°F ambient fixture temp
- CEC Compliant Flicker Rate (CEC JA10 std.)
- FCC Part 15, Subpart B, Class B

PERFORMANCE SPECIFICATIONS

| Catalog Number | Input Voltage | Wattage | CCT (Selectable)* | Lumen Output | Efficacy | CRI | Power Factor | Beam Angle | Lifetime |
|--------------------------|---------------|---------|-------------------|--------------|----------|-----|--------------|------------|------------|
| KT-WDLED8-4A-9CSF-FDIM-G | 120V | 8W | 2700K | 650 | 81 lm/W | >90 | >0.9 | 110° | 50,000 hrs |
| | | | 3000K | 670 | 84 lm/W | | | | |
| | | | 3500K | 695 | 87 lm/W | | | | |
| | | | 4000K | 710 | 89 lm/W | | | | |
| | | | 5000K | 700 | 88 lm/W | | | | |

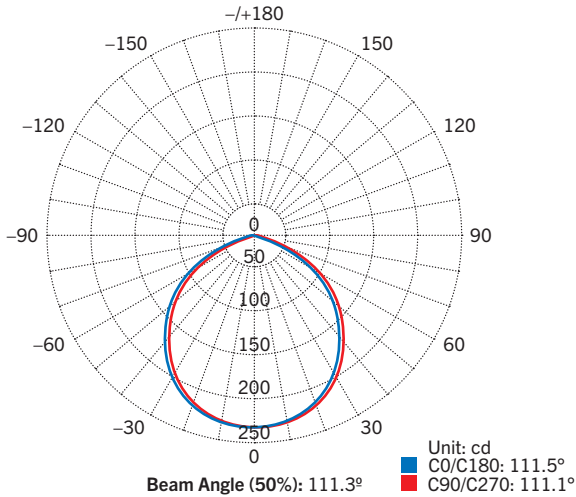
*Preset to 3000K
 Color Uniformity: CCT (Correlated Color Temperature) range as per guidelines outlined in ANSI C78.377-2017

KT-WDLED8-4A-9CSF-FDIM-G

4" LED WAFER DOWNLIGHT

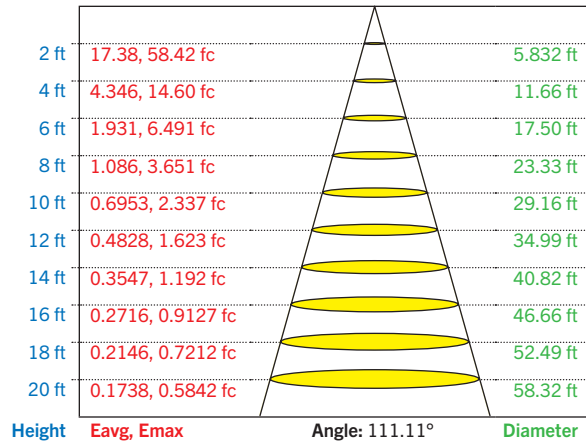
PHOTOMETRIC SPECIFICATIONS

POLAR CANDELA DISTRIBUTION



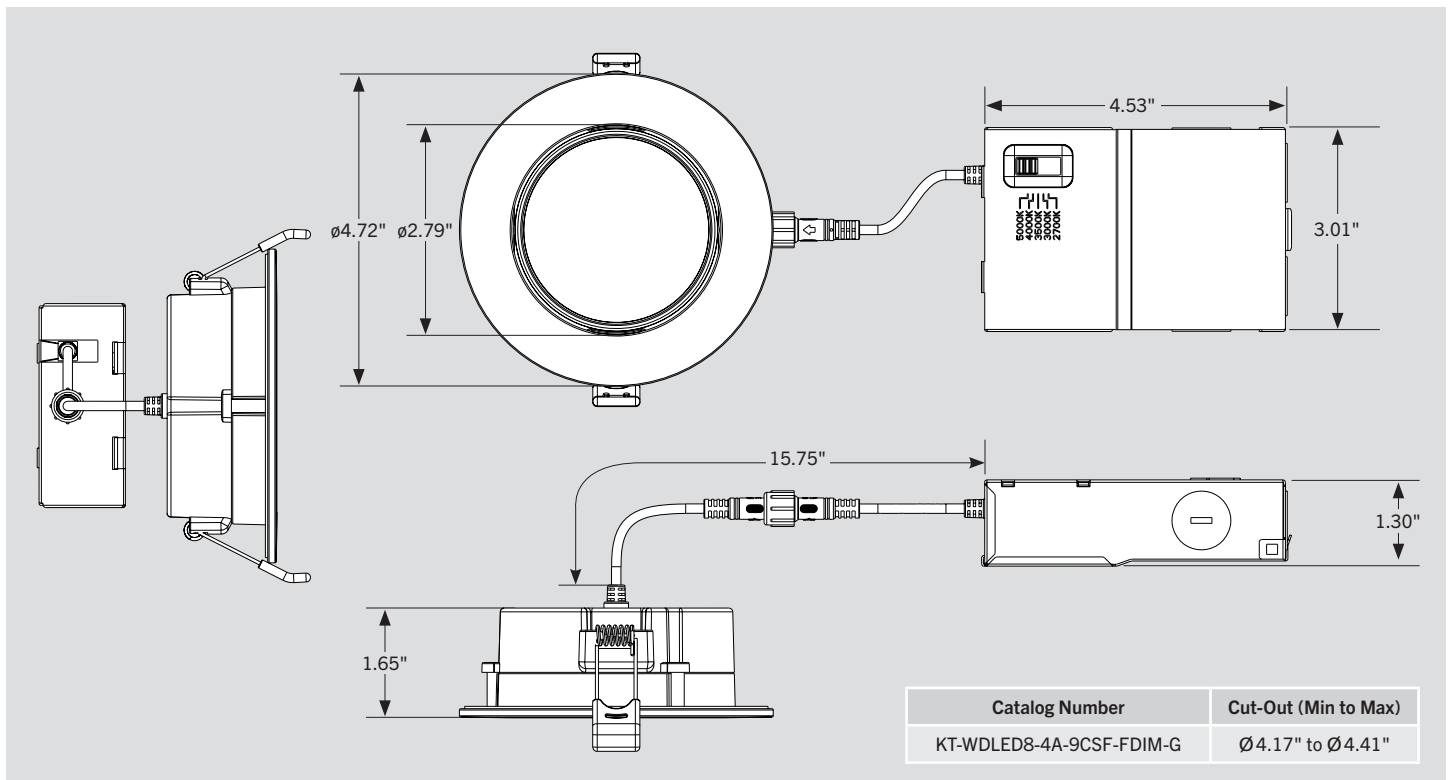
LUX DISTANCE CURVE

Flux Out: 480.1 lm



Curves show illuminated area and average illumination when lamp is at various distances.

PHYSICAL SPECIFICATIONS



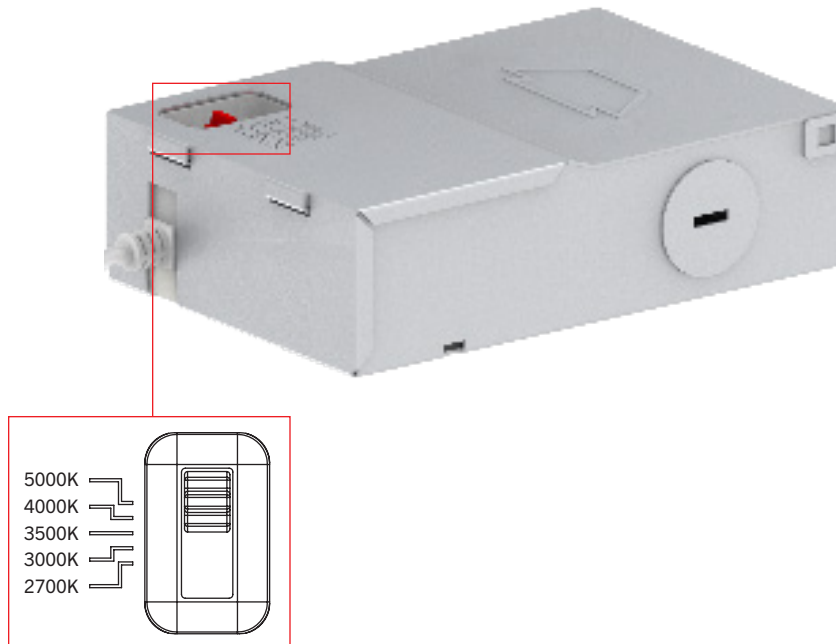
KT-WDLED8-4A-9CSF-FDIM-G

4" LED GIMBAL DOWNLIGHT

COLOR SELECT (CCT) ADJUSTMENT

This fixture is equipped with field-adjustable Keystone Color Select technology.

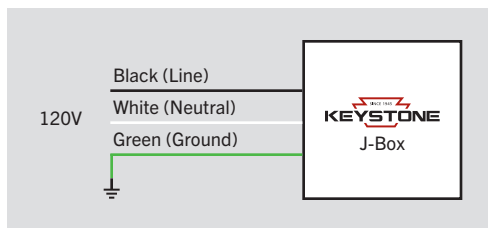
1. Ensure power is off to the fixture.
2. Adjust dip switch to desired setting.



COLOR SELECT ADJUSTMENT SWITCH

Set dip switch to adjust CCT between 2700K, 3000K, 3500K, 4000K, and 5000K. Fixture comes preset at 3000K.

WIRING DIAGRAM



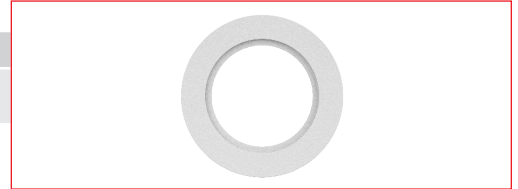
KT-WDLED8-4A-9CSF-FDIM-G

4" LED GIMBAL DOWNLIGHT

OPTIONAL ACCESSORIES (sold separately)

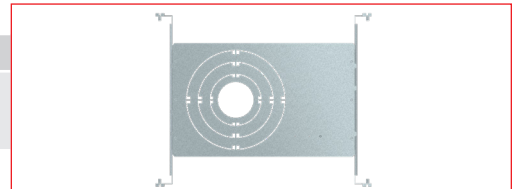
GOOF RING

| Catalog Number | Description | UPC | Easy Code |
|-------------------|--|--------------|-----------|
| KT-WDLED-4AB-GOOF | Goof Ring for 4A/4B LED Circa Downlights; 6" outer diameter | 843654139647 | FRG-59 |



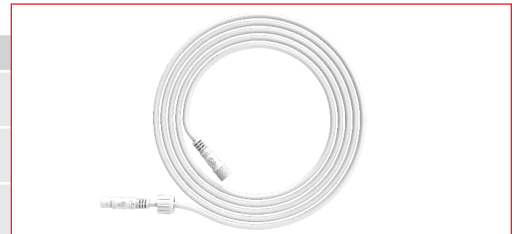
NEW-CONSTRUCTION PLATE

| Catalog Number | Description | UPC | Easy Code |
|------------------|---|--------------|-----------|
| KT-WDLED-PLATE-2 | New Construction Mounting Plate for all A and B LED Circa Downlights for joist and T-grid installations | 843654139791 | FZT-71 |



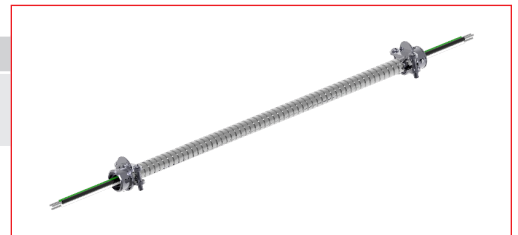
EXTENSION CABLES

| Catalog Number | Description | UPC | Easy Code |
|----------------|--|--------------|-----------|
| KT-WDLED-EC-6 | 6' Extension Cord for LED Circa Downlights | 843654139739 | GOK-14 |
| KT-WDLED-EC-12 | 12' Extension Cord for LED Circa Downlights | 843654139746 | ECE-88 |
| KT-WDLED-EC-20 | 20' Extension Cord for LED Circa Downlights | 843654139753 | JLM-06 |



METAL-CLAD CABLE

| Catalog Number | Description | UPC | Easy Code |
|-----------------|---|--------------|-----------|
| KT-MC-NP-1-18/3 | Metal-Clad Cable for LED Recessed Downlights; No plug; UL 16AWG 18/3 wire (live, neutral, ground) | 843654139777 | AYT-71 |





KT-WDLED8-4A-9CSF-FDIM-G

4" LED GIMBAL DOWNLIGHT

ORDERING INFORMATION

| Catalog Number | Pack Qty. | UPC | Easy Code |
|--------------------------|-----------|--------------|-----------|
| KT-WDLED8-4A-9CSF-FDIM-G | 1 | 843654154657 | AZN-56 |

CATALOG NUMBER BREAKDOWN

KT-WDLED8-4A-9CSF-FDIM-G

1
2
3
4
5
6
7
8
9
10
11

- 1** Keystone Technologies
- 2** Fixture Type

| | |
|----|-----------------|
| WD | Wafer Downlight |
|----|-----------------|
- 3** LED Technology
- 4** Maximum Wattage
- 5** Size

| | |
|---|------------|
| 4 | 4" Nominal |
|---|------------|
- 6** Style/Design Designation

| | |
|---|----------|
| A | Series A |
|---|----------|
- 7** CRI

| | |
|---|----|
| 9 | 90 |
|---|----|
- 9** Color Select Designation

| | |
|---|-----------------------------------|
| F | 2700K, 3000K, 3500K, 4000K, 5000K |
|---|-----------------------------------|
- 10** Dimming

| | |
|------|---------------|
| FDIM | Phase Dimming |
|------|---------------|
- 11** Gimbal Construction