



LED SPORTS LIGHT FLOOD

INSTALLATION INSTRUCTIONS

PLEASE FIND A QUALIFIED ELECTRICIAN FOR INSTALLATION. Please read the instructions before installation and use.

WARNING

- Before installing, servicing, or performing routine maintenance upon this equipment, follow these general precautions.
- Risk of fire or electric shock. LED fixture installation requires knowledge of luminaire electrical systems. If not qualified, do not attempt installation; contact a qualified electrician.
- To reduce the risk of death, personal injury or property damage from fire, electric shock, failing parts, cuts/abrasions, and other hazards, read all warnings and instructions with and on the fixture box and all fixture labels.
- To prevent wiring damage or abrasion, do not expose wiring to edges of sheet metal or other sharp objects.
- Do not make or alter any open holes in an enclosure of wiring or electrical components during kit installation.

WARNING

- Turn off electrical power at fuse or circuit breaker box before wiring fixture to the power supply.
- Turn off the power when you perform any maintenance.
- Verify that supply voltage is correct by comparing it with the luminaire label information.

CAUTION

- This fixture must be installed, inspected, and maintained by a qualified electrician in accordance with federal, state, and municipal electrical safety regulations.
- Please turn off the power before checking, installing or removing.
- Use wires that comply with UL standards.
- Do not install this fixture while it is raining.

NOTES

- Specifications and dimensions subject to change without notice.
- Suitable for wet locations.

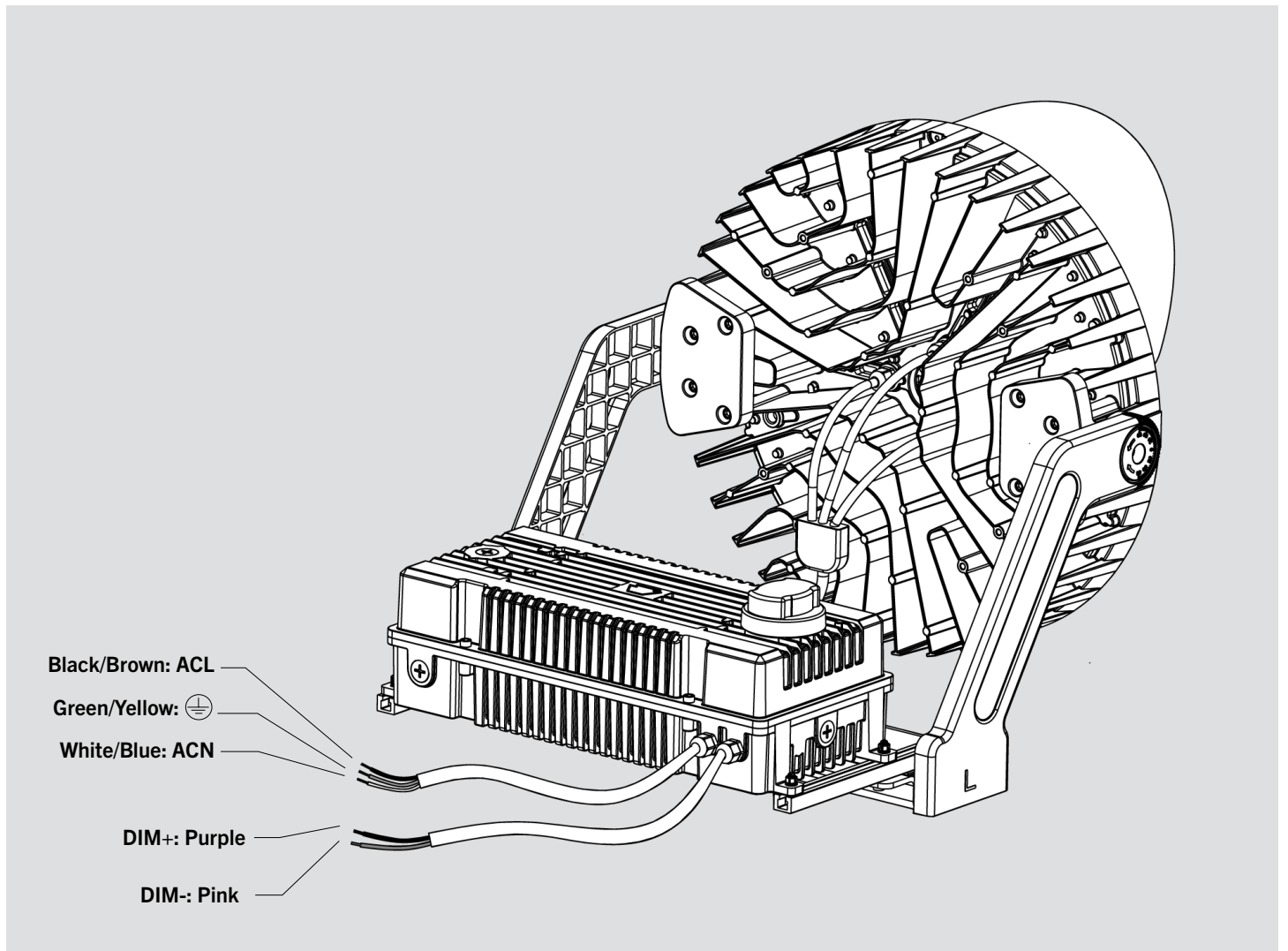
NOTE

This equipment has been tested and found to comply with the limits for a Class B digital device, pursuant to Part 15 of the FCC Rules. These limits are designed to provide reasonable protection against harmful interference in a residential installation. This equipment generates, uses and can radiate radio interference energy and, if not installed and used in accordance with the instructions, may cause harmful interference to radio communications. However, there is no guarantee that interference will not occur in a particular installation. If this equipment does cause harmful interference to radio or television reception, which can be determined by turning the equipment off and on, the user is encouraged to try to correct the interference by one or more of the following measures:

- Reorient or relocate the receiving antenna.
- Increase the separation between the equipment and receiver.
- Connect the equipment into an outlet on a circuit different from that to which the receiver is connected.
- Consult the dealer or an experienced radio/TV technician for help.

Caution: Before installing, make certain that AC power to the fixture is off.

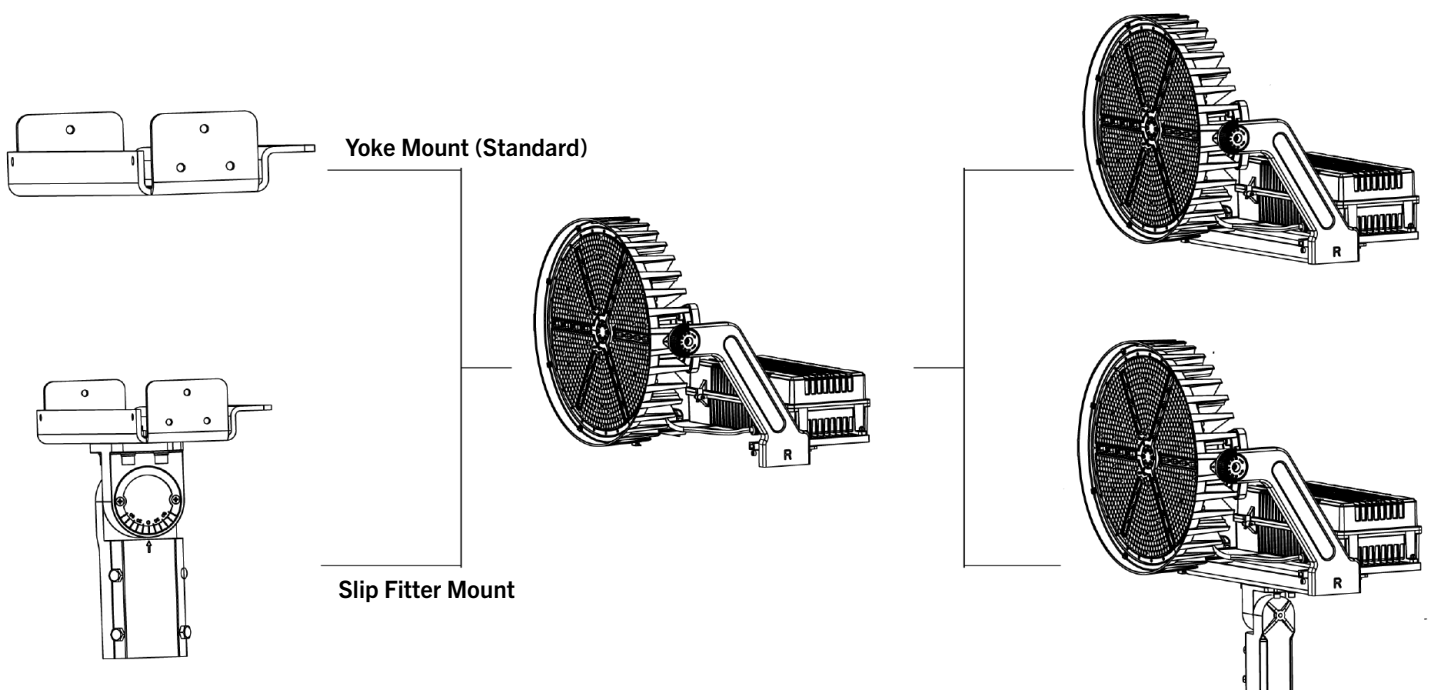
Caution: The electrical rating of this product is either 120-277V or 277-480V. See product label for verification. **INSTALLER MUST CONFIRM THAT THE PROPER INPUT VOLTAGE, EITHER 120-277V OR 277-480V, IS AT THE FIXTURE SITE BEFORE INSTALLATION.**



Class 1 wiring only.

MOUNTING OPTIONS

- There are two mounting options for this sports light: yoke mount and slip fitter mount. Detailed instructions are outlined on the following pages.



DRIVER BOX ADJUSTMENT

- To properly mount this sports light, the driver box must be moved from its pre-installed position. To move the driver box, loosen the (4) M6 nuts as shown in Figure 1.
- Slide the driver box along the guide rails until the entire support bracket is visible, as shown in Figure 2. Once in place, tighten the (4) M6 nuts.

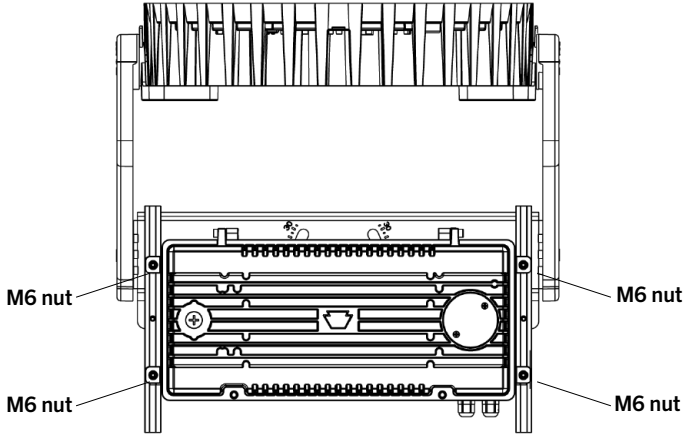


Figure 1

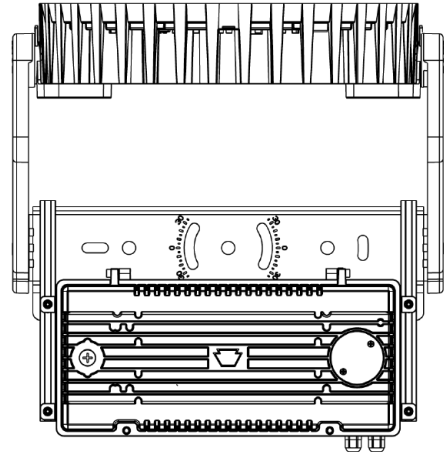


Figure 2

YOKE MOUNT INSTALLATION

Option 1: Rigid Mounting

For use on various cross arms and/or existing pole infrastructure where limited horizontal adjustments are needed.

- Shown below are the drill holes and measurements required for each sports light. Figure 3 shows patterns for KT-SLFLED750-S1-XX-YM-750-VDIM and KT-SLFLED750HV-S1-XX-YM-750-VDIM. Figure 4 shows KT-SLFLED500-S1-XX-YM-750-VDIM and KT-SLFLED500HV-S1-XX-YM-750-VDIM.
- Once the proper size sports light has been determined, drill holes into the mounting bar on the pole per the measurements shown below.

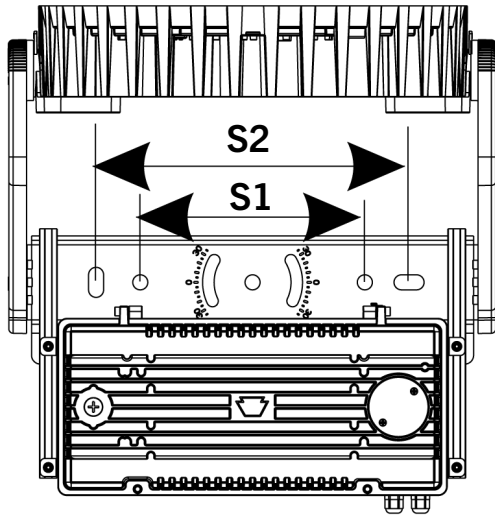


Figure 3

Distances
S1: 254 mm / 10 in
S1: 345 mm / 13.583 in

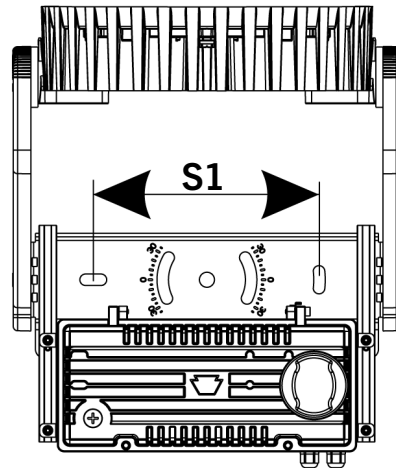


Figure 4

Distances
S1: 254 mm / 10 in

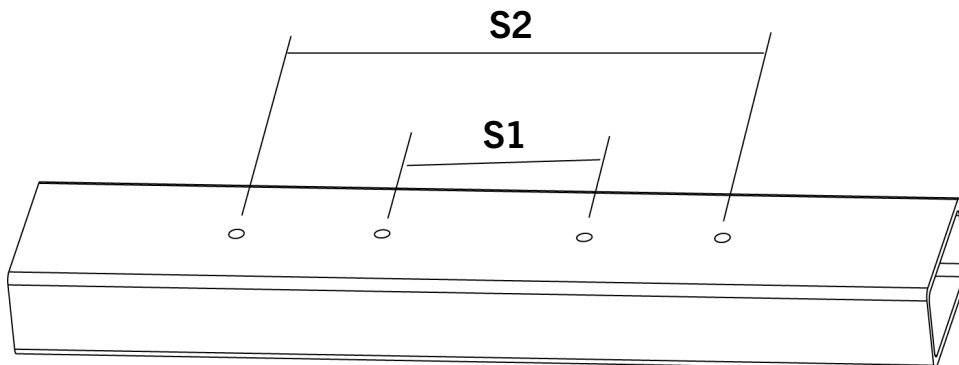


Figure 5

Option 2: Adjustable Rigid Mounting

For use on various cross arm mounting infrastructure where up to $\pm 30^\circ$ of horizontal adjustment is needed.

- The support bracket on the yoke mount comes with additional drill holes that allow for horizontal adjustment, as shown in Figure 6);
- Once the proper angle has been determined, use no fewer than (2) M12 nuts, bolts, and washers to fasten the fixture into place.

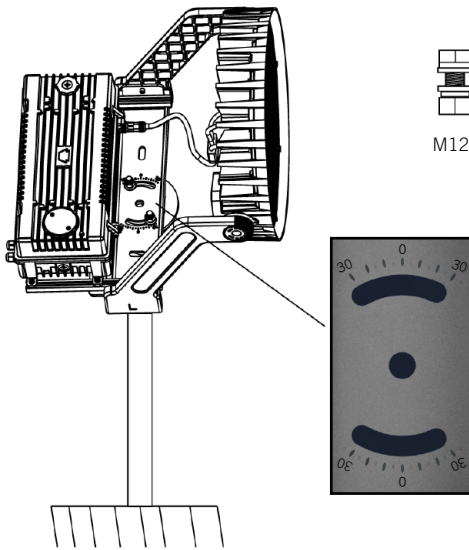


Figure 6

SLIP FITTER INSTALLATION (ACCESSORY SOLD SEPARATELY)

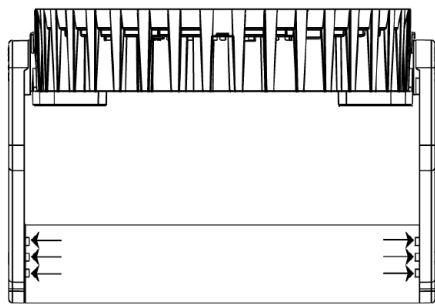


Figure 8

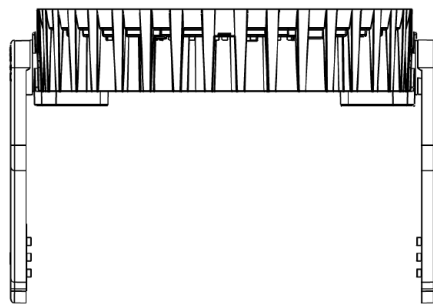


Figure 9

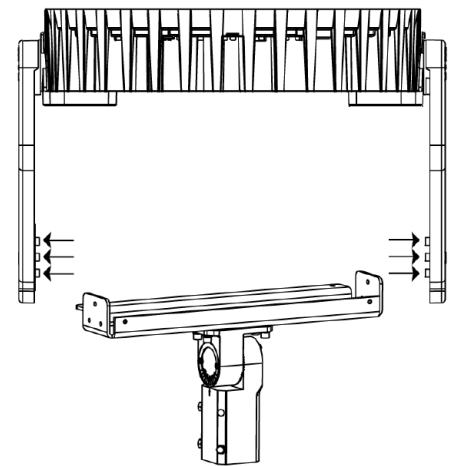


Figure 10

- To use the slip fitter on this sports light, the pre-installed support bracket of the yoke must be removed. Follow the instructions under **DRIVER BOX ADJUSTMENT**, and then fully remove the driver box and guide rails from the fixture.
- Once the driver box and guide rails have been removed, use a hex tool to remove the (6) bolts that connect the pre-installed mounting arm to the left and right side arms of the fixture (Figure 8).
- Once the pre-installed mounting arm has been removed (Figure 9), attach the slip fitter mounting arm in the same position as the previous mounting arm. The pre-drilled holes on the left and right side arm of the fixture will line up with the holes on the slip fitter arm (Figure 10).
- Attach the base of the slip fitter by aligning the (4) holes on the base with the (4) holes on the underside of the mounting arm. Then use M8 screws, washers, and nuts to tightly secure the base to the arm (Figure 10).
- After the slip fitter mount has been installed, the guide rails and driver box must be re-installed on the fixture body using the same hardware that was previously removed.

- Once the guide rails and driver box are re-installed, feed the wiring through the slip fitter and pull wires into pole. (Figure 11)
- Place the slip fitter mount on to the pole or tenon, and secure it into place with the provided hardware. (Figure 12)

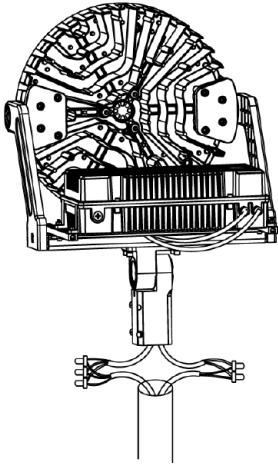


Figure 11

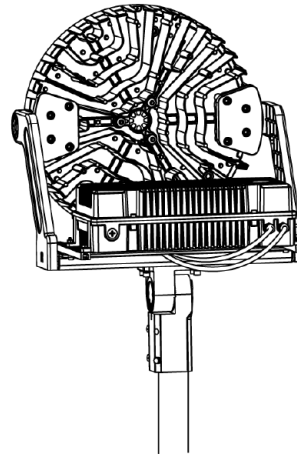


Figure 12

- Use an Allen wrench to loosen the dial on the slip fitter and adjust the fixture as needed. Once the angle has been determined, tighten the dial to secure the fixture in place.

Note: the fixture is adjustable $\pm 90^\circ$.

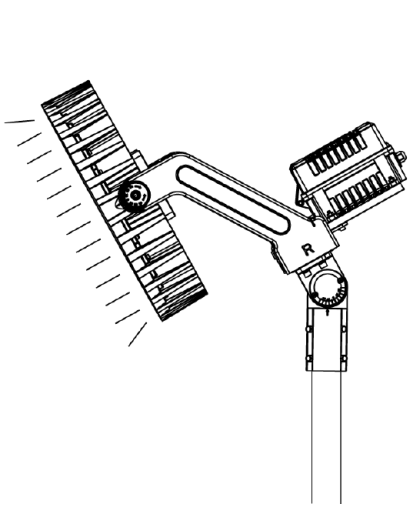


Figure 13

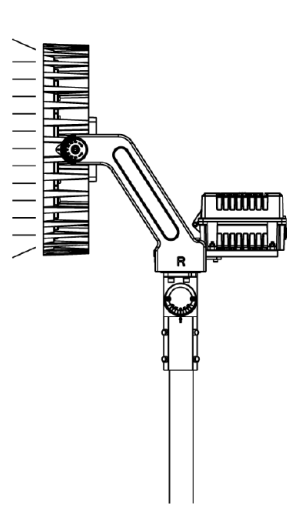


Figure 14

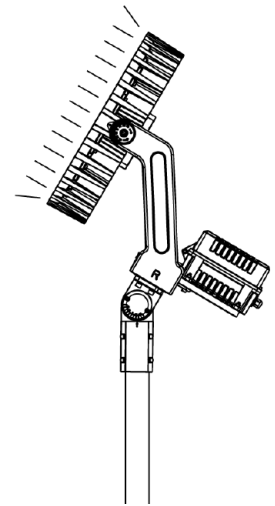


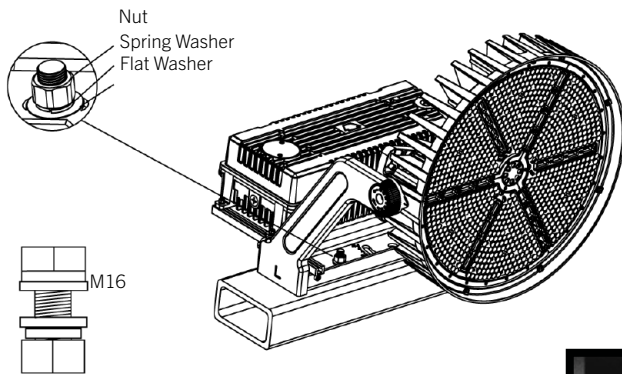
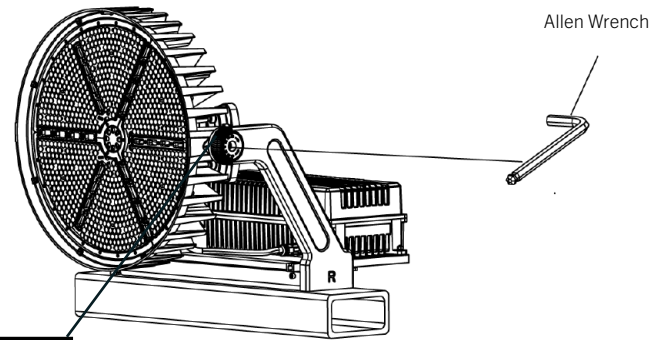
Figure 15

Catalog number	Description	UPC	Easy Code
KT-SLFLED-SF-S1-KIT	Slip fitter mount kit for 500W fixture	843654154930	JWV-40
KT-SLFLED-SF-M1-KIT	Slip fitter mount kit for 750W fixture	843654154947	XMK-23

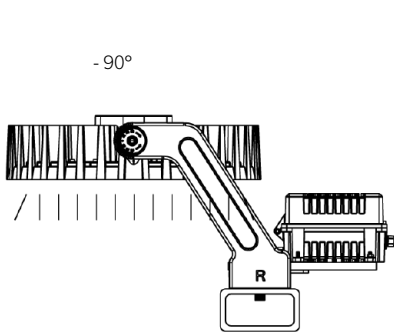
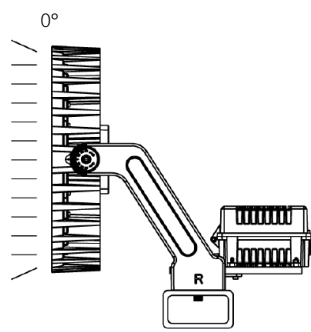
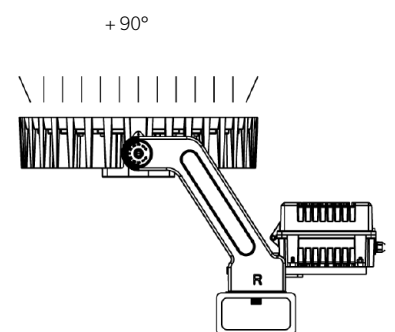
Not: Ensure pole, tenon, and all related bracketry in the total mounting configurations are sturdy enough to support the weight of slip fitter mounted fixture.

VERTICAL ADJUSTMENT

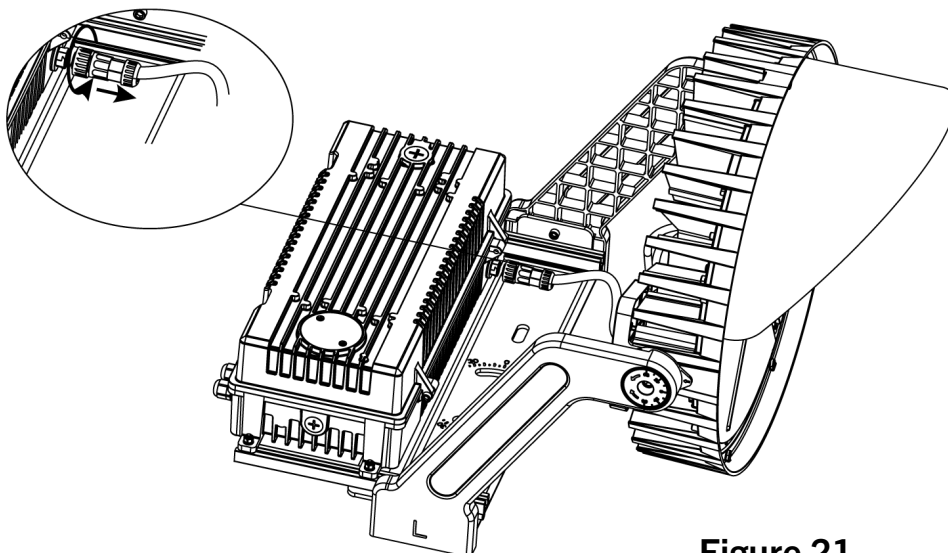
- Place the sports light on to the mounting bar, and secure it with M16 nuts, bolts, and washers. (Figure 16)
- To adjust the angle of the sports light, use an Allen wrench to loosen the adjustment dial, as shown in Figure 17. The fixture is adjustable $\pm 90^\circ$

**Figure 16****Figure 17**

- Once the desired angle is selected, tighten the adjustment dial using an Allen wrench.

**Figure 18****Figure 19****Figure 20****DRIVER BOX SEPARATION**

- Unplug the waterproof connector from the driver box, as shown in Figure 21

**Figure 21**

- Loosen the (4) M6 nuts from the driver box, as shown in Figure 22.

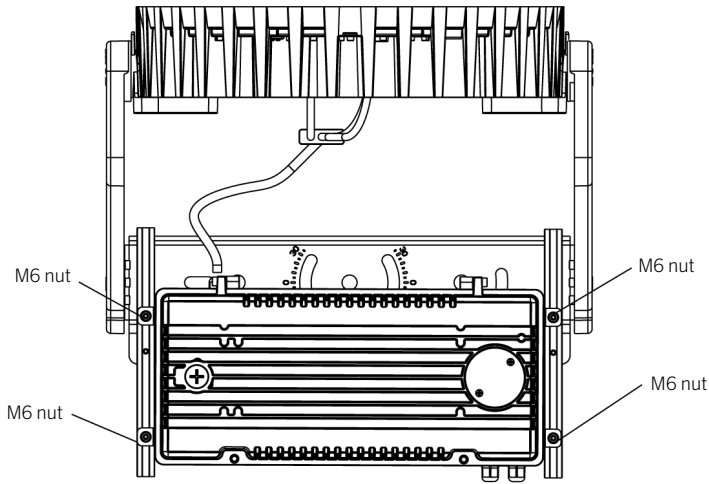


Figure 22

- Remove the driver box from the guide rails, as shown in Figure 23.

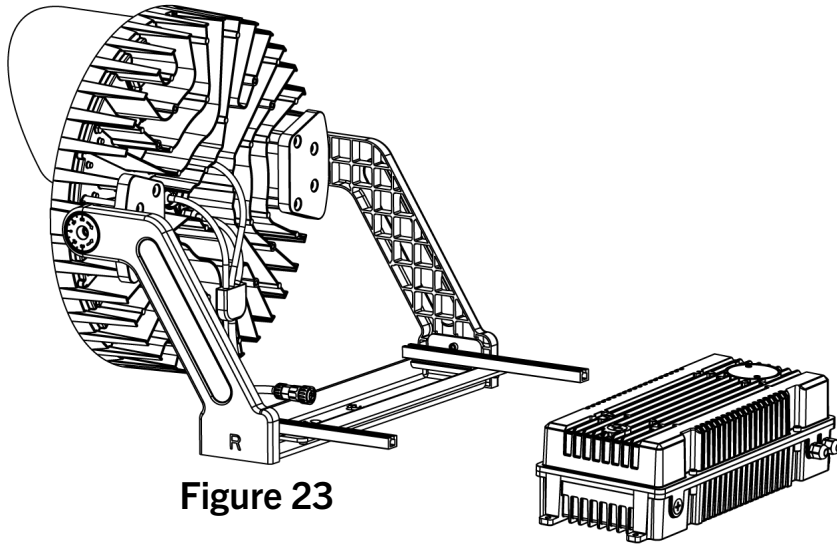


Figure 23

- Install the driver box in an appropriate junction box/cabinet, and secure it in place with the provided M6 screws. The placement of the screw holes is shown below.

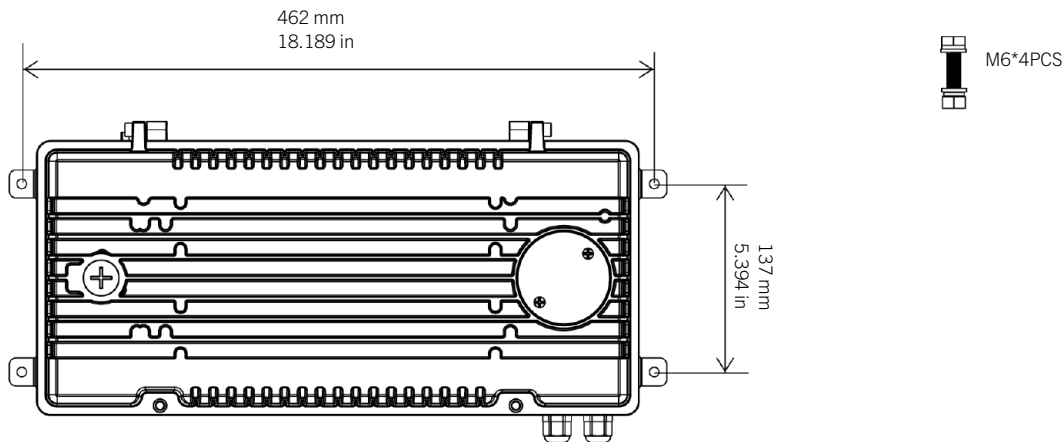


Figure 24

Connect the sports light head to the driver box with an extension cord (sold separately). (Figure 25)

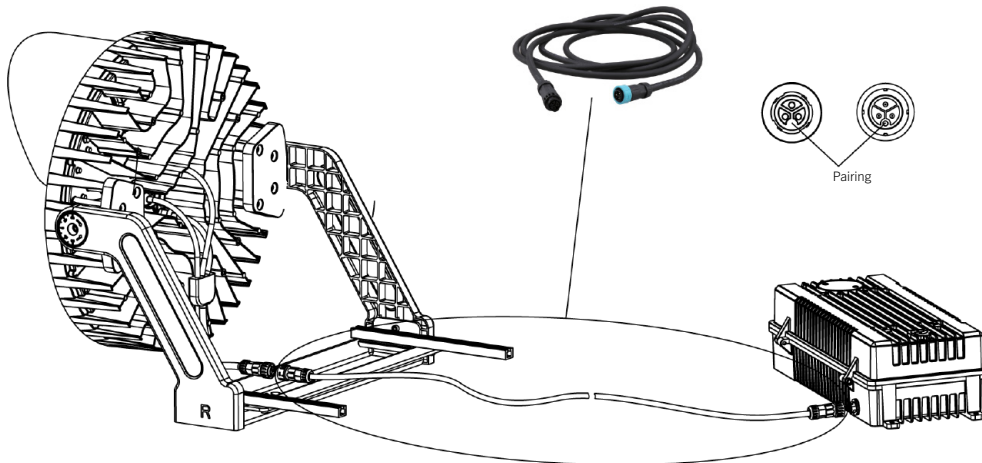


Figure 25

Available extension cords:

Catalog number	Description	UPC	Easy Code
KT-SLFLED-EC-35	35' extension cord	843654154992	OKK-79
KT-SLFLED-EC-65	65' extension cord	843654155005	QCB-67

Note: The maximum cord length 50m or 164ft

GLARE SHIELD

An optional use glare shield is included in all fixture packaging. If the glare shield is desired, use a screwdriver to attach the shield to the luminaire in the designated locations, as shown in Figure 26. Images of the sports light with and without the glare shield attached are displayed for reference.

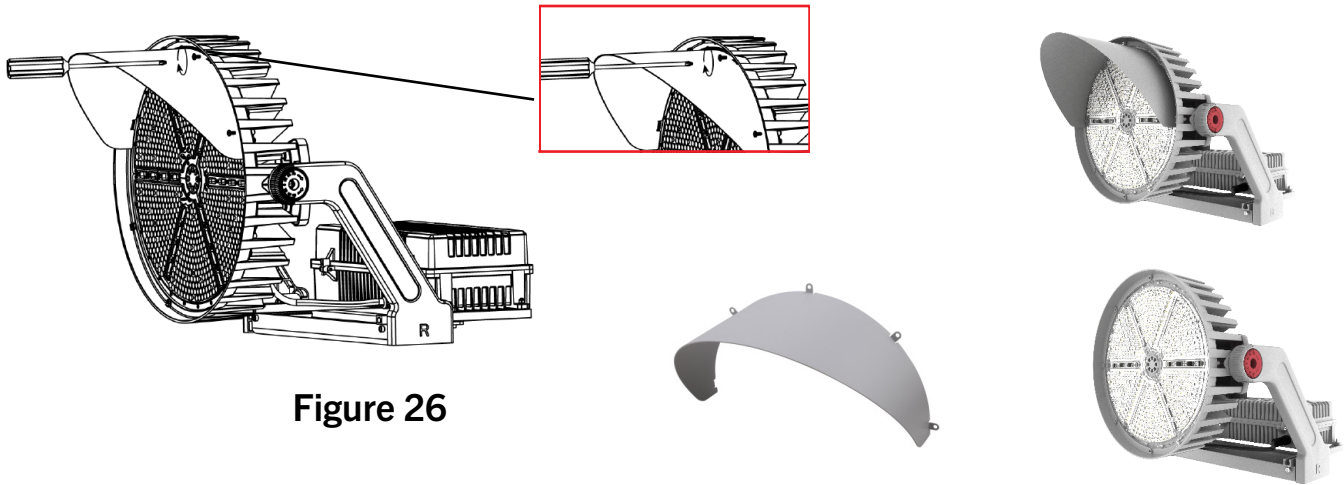


Figure 26

PHOTOCELL AND SHORTING CAP

If photocell function is required, the photocell (sold separately) should be installed in the receptacle on the back of the fixture. When the photocell is not required, the shorting cap must be installed in the receptacle. (Figure 27)

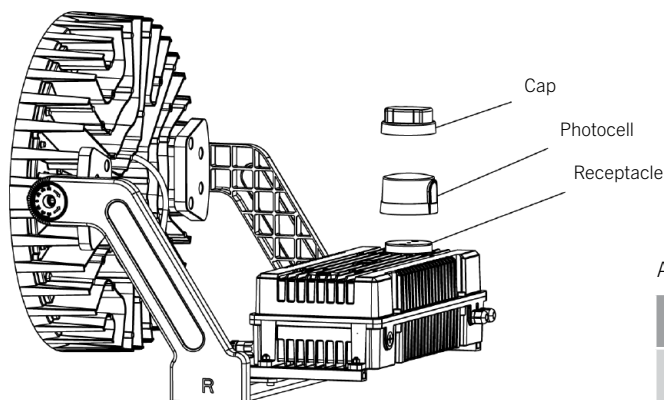


Figure 27

Available photocells:

Catalog number	Description	UPC	Easy Code
KT-TLP-UV-3PN	NEMA-Type 3-Pin Photocell; 120–277V; 1800VA max	843654131825	NQT-46
KT-TLP-HV-3PN	NEMA-Type 3-Pin Photocell; 277–480V; 1800VA max	843654131832	CGF-01