



WARNING

PLEASE READ ALL INSTRUCTIONS BEFORE ATTEMPTING INSTALLATION

- Before installation, please carefully check whether the fixture is damaged, and contact the supplier in time if there is any damage.
- To prevent personal injury or product damage only licensed electricians should install.
- To avoid electric shock or component damage disconnect power before attempting installation or servicing.
- This product must be installed in accordance with the national electric code (NEC) and all applicable federal, state and local electric codes and safety standards.
- Disconnect product and allow cooling prior to servicing.
- Any alteration or modification of this product is expressly forbidden as it may cause serious personal injury, death, property damage and/or product malfunction.
- To prevent product malfunction and/or electrical shock this product must be properly grounded.
- This luminaire is designed to operate in ambient temperatures ranging from -40°C to 50°C and to be horizontally mounted with the LEDs facing down.
- This product must be installed in accordance with the applicable installation code by a Person familiar with the construction and operation of the product and the hazards involved.
- Min 75°C supply conductors.
- CONSULT A QUALIFIED ELECTRICIAN TO ENSURE CORRECT BRANCH CIRCUIT CONDUCTOR.
- CAUTION - RISK OF FIRE.
- This product is not available for several special environments, such as places with corrosive gas liquids or high pressure water vapor.

NEW PROJECT INSTALLATION INSTRUCTION

Single top deck (Figure 1 → Figure 2):

1. Remove the fixture from the box and check it to make sure the label and parameters match, if the fixture is damaged, do not install it.
2. Cut a 4-inch round hole in the canopy deck.
3. Align luminaire with the 4-inch round hole (the conduit entry at the back of the luminaire should be positioned at the center of the 4-inch round hole). Use provided four (ST 4.8) self-drilling screws to attach luminaire to canopy deck.
4. Place the mounting plate on the canopy deck, make sure the four screws (around the conduit entry) through out four holes on this plate, and turn the mounting plate then fasten the four screws.
5. Feed the power cables through the provided 3/4" conduit, screw conduit into the conduit entry on back of luminaire and torque to ensure seal.
6. Use two (2) conduit nuts to assemble wet location rated provided junction box and knock down the corresponding hole on the junction box according to the actual wiring steel pipe size.
7. Complete the wiring according to the wiring diagram.
8. All mounting holes that penetrate the canopy deck and the 3/4-inch cable entry holes on the back of the lamp must be sealed with waterproof glue.

Double top deck (Figure 3):

1. Remove the fixture from the box and check it to make sure the label and parameters match, if the fixture is damaged, do not install it.
2. Cut a 4-inch round hole in the canopy deck.
3. Pull the cable out of the 4-inch round hole and complete the wiring according to the wiring diagram.
4. Align luminaire with the 4-inch round hole (the conduit entry at the back of the luminaire should be positioned at the center of the 4-inch round hole). Use provided four (ST 4.8) self-drilling screws to attach luminaire to canopy deck.

REPLACED INSTALLATION INSTRUCTION

Single top deck (Figure 4 → Figure 5 → Figure 6):

1. Remove the fixture from the box and check it to make sure the label and parameters match, if the fixture is damaged, do not install it.
2. Remove the fixture kit that needs to be replaced from the existing canopy deck.
3. Align luminaire with the 4-inch round hole (the conduit entry at the back of the luminaire should be positioned at the center of the 4-inch round hole). Use provided four (ST 4.8) self-drilling screws to attach luminaire to cover panel.
4. Place the mounting plate on the canopy deck, make sure the four screws (around the conduit entry) through out four holes on this plate, and turn the mounting plate then fasten the four screws.
5. Feed the power cables through the provided 3/4" conduit, screw conduit into the conduit entry on back of luminaire and torque to ensure seal.
6. Use two (2) conduit nuts to assemble wet location rated provided junction box and knock down the corresponding hole on the junction box according to the actual wiring steel pipe size.

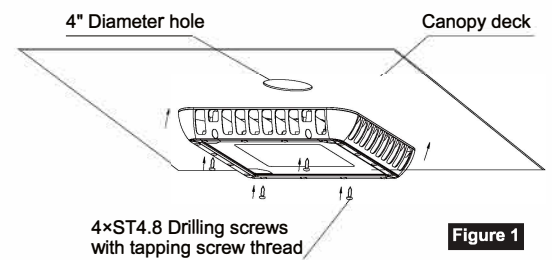


Figure 1

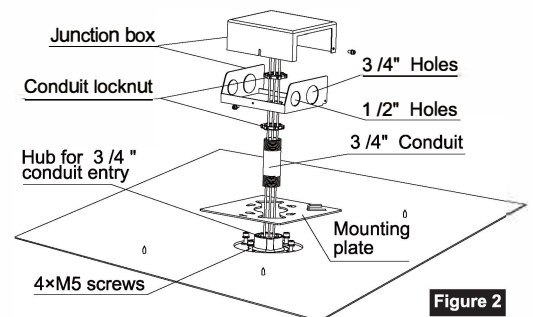


Figure 2

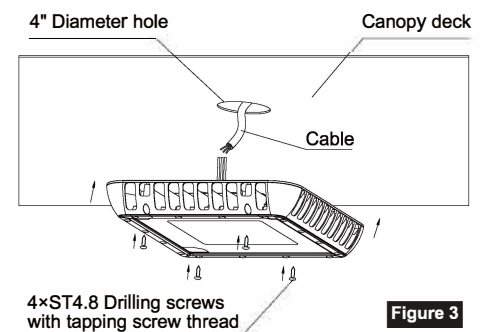


Figure 3

- Use waterproof glue between the cover panel and the canopy deck for sealing treatment and use the provided four (ST 6.3) self-drilling screws to fix the cover panel on the canopy deck (the original opening shall not be exposed).
- Complete the wiring according to the wiring diagram.
- All mounting holes that penetrate the canopy deck and the conduit entry at the back of the luminaire must be sealed with waterproof glue.

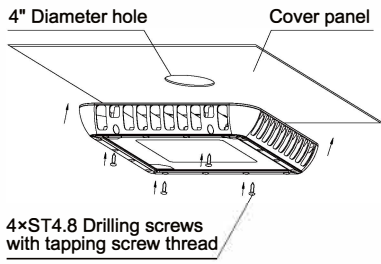


Figure 4

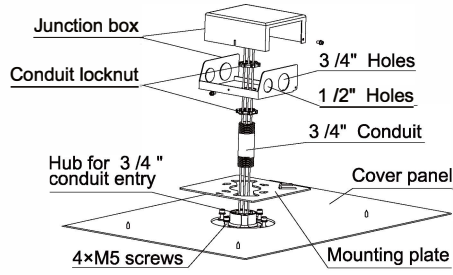


Figure 5

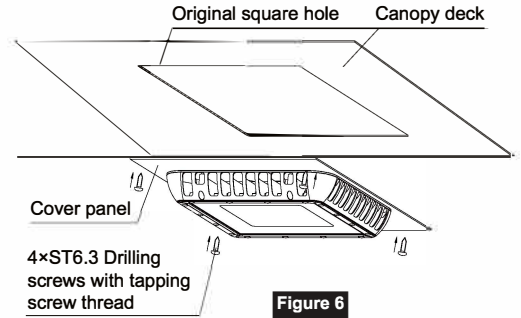


Figure 6

Double top deck (Figure 4 → Figure 7):

- Remove the fixture from the box and check it to make sure the label and parameters match, if the fixture is damaged, do not install it.
- Remove the fixture kit that needs to be replaced from the existing canopy deck.
- Align luminaire with the 4-inch round hole (the conduit entry at the back of the luminaire should be positioned at the center of the 4-inch round hole). Use provided four (ST 4.8) self-drilling screws to attach luminaire to cover panel.
- Pull the cables out of the original cut-out and complete the wiring according to the wiring diagram.
- Use waterproof glue between the cover panel and the canopy deck for sealing treatment and use the provided four (ST 6.3) self-drilling screws to fix the cover panel on the canopy deck (the original opening shall not be exposed).

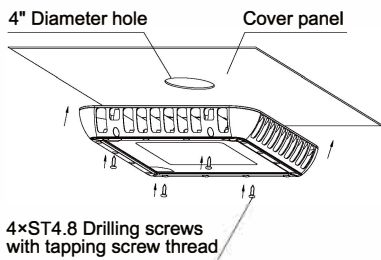


Figure 4

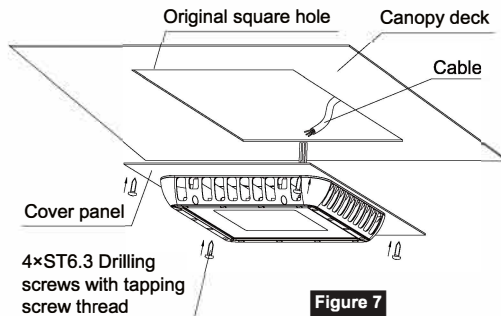
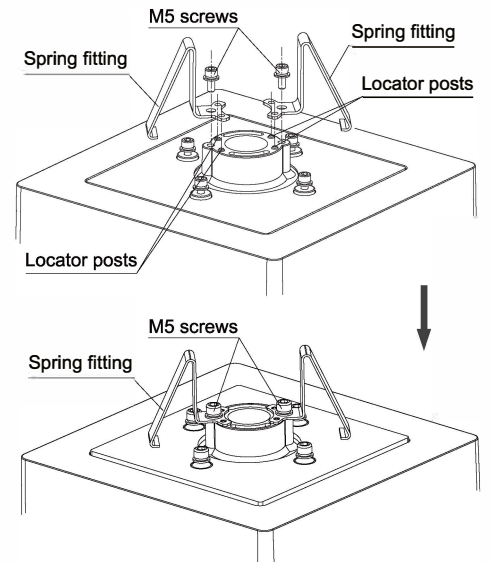


Figure 7

Spring fitting (Optional)

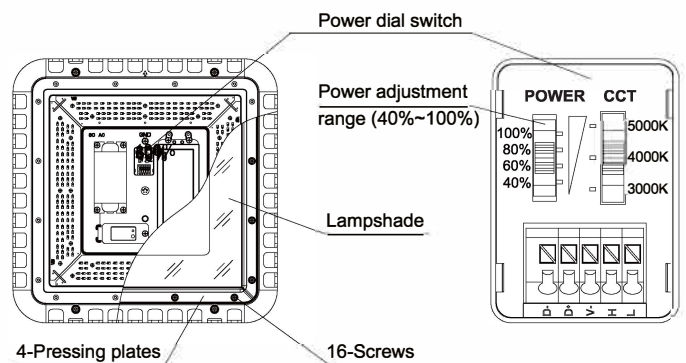
- Align the Spring fittings with the locator posts on luminaire.
- Use provided (M5) screws to attach the spring fittings to luminaire.



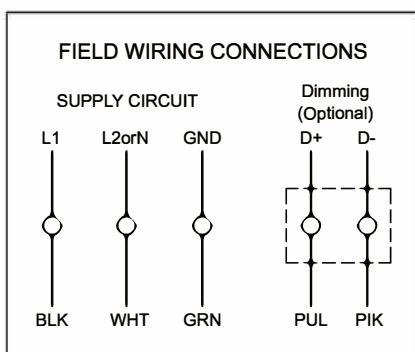
Power selectable version (Optional)

- Remove the screws on the pressure plate before the fixture is installed and remove the pressure plate and lampshade in turn.
- Adjust the power percentage DIP switch on the power regulator in the actual needs.
- Install the lampshade that has just been removed, the pressure plate, and the locking screws in turn.

Note: Do not displace the sealant gasket above the lampshade when disassembling it.



WIRING DIAGRAM



SCHEMATIC (Adjustment Dia Option / Motion Sensor Option)

