

# STRAITS® Installation Instructions

straitslighting.com

## Important

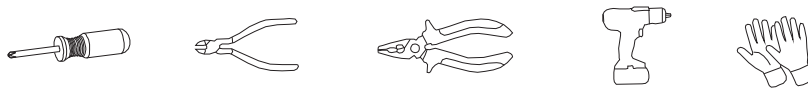
READ THIS INSTRUCTION CAREFULLY BEFORE INSTALLATION. KEEP IT FOR FURTHER REFERENCE  
MAKE ELECTRICAL AND GROUNDED CONNECTIONS IN ACCORDANCE WITH THE NATIONAL ELECTRICAL CODE AND ANY APPLICABLE CODE. ALWAYS TURN OFF THE POWER SUPPLY BEFORE INSTALLATION.  
THIS PRODUCT MUST BE INSTALLED IN ACCORDANCE WITH THE APPLICABLE INSTALLATION CODE BY A QUALIFIED ELECTRICIAN WHO IS FAMILIAR WITH THE CONSTRUCTION AND OPERATION OF THE PRODUCT AND THE HAZARDS INVOLVED.

### WARNING :

- ⚠ Risk of fire or electric shock. Fixture installation requires knowledge of luminaires electrical systems. If not qualified, DO NOT attempt installation. Contact a qualified electrician.
- ⚠ Risk of fire or electric shock. Suitable for wet locations. Always turn off the power supply before installation.
- ⚠ Risk of fire or electric shock. Suitable for non-insulated surface and frame. DO NOT cover fixture with insulation liner or similar material.
- ⚠ DO NOT install fixture on unstable, loose, or easily breakable surface.
- ⚠ DO NOT exert force on the surface of the fixture.

## Installation and Electrical Connection

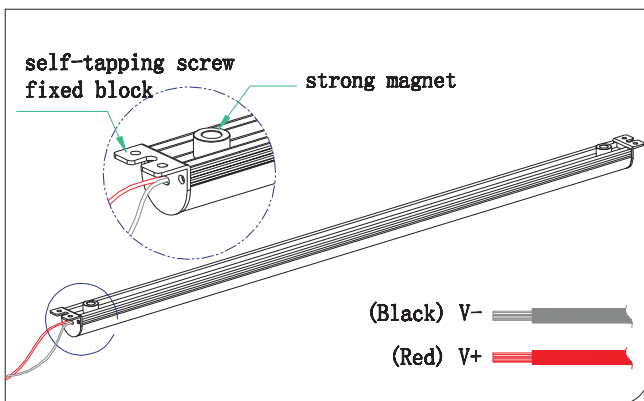
### Tools Requirements:



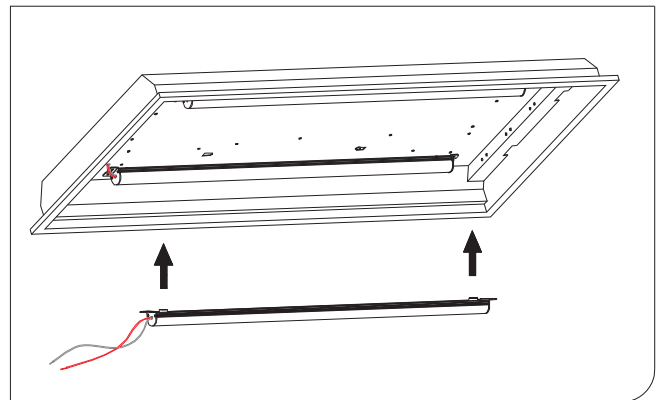
1. Turn off power and remove door frame and diffuser
2. Remove existing lamps, lamp holders, socket brackets, ballast cover, and electronic ballasts
3. Place LED driver in the location where the electronic ballast was, secure with self-tapping screws
4. Wire LED strips and driver according to wiring diagram
5. Connect input wires to driver with wire connectors
6. Place the original ballast cover back

### Application Place:

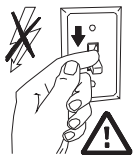
This product is suitable for use in areas such as troffer housing, wall, ceiling, bureau, freezer, etc.



1. INPUT: (Black) V- (Red) V+



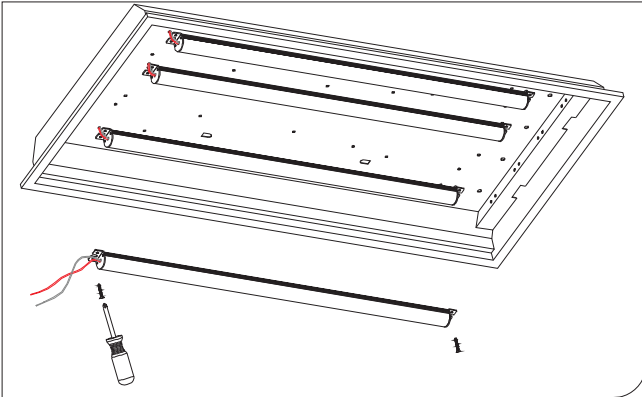
2 Tube is attached to the troffer housing by strong magnet.



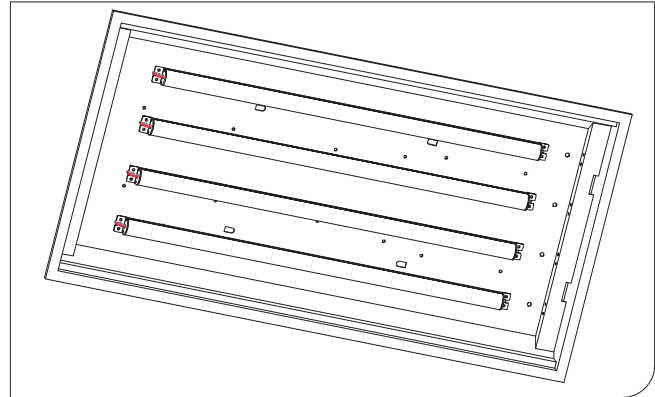
### WARNING

**RISK OF FIRE, ELECTRIC SHOCK, OR PERSONAL INJURY**  
Before installation, turn power off.

# Linear Retrofit Kit



3. Secure LED strips with self - tapping screws



4. Install lens & frame

## Connection of configurations:

