

Eres - XPR

Hazardous Location (C1D2) LED Area Light

Product Description

The Eres Hazardous Location LED Area Light is designed for installations where moisture, dirt, dust, corrosion and vibration may be present, or NEMA 3 and 4X areas where wind, water, snow or high ambient temperature can be expected. For use in locations made hazardous by the presence of flammable vapors, gases, or combustible dusts as defined by the NEC. Eres fixtures are available in 45W and 65W in class C1D2. The Eres is ideal for retrofit of existing HPS/MH and offers higher efficacy for increased energy savings, lower maintenance costs and shorter paybacks.

Certifications

- Class I Division 2, Group A, B, C, D
- Class II Division 1, Group E, F, G
- Class II Division 2, Group F, G
- Class III
- UL 844 Hazardous Location
- UL 1598 Wet Locations
- UL 1598A, Marine
- UL 8750 LED Safety
- IP66 Rated
- CSA C22.2 No. 250.0-08, 250.13
- IECEx
- Meets FCC Part 15, Subpart B, Class B standards for conducted and radiated emissions

Construction

- Die-cast, copper-free aluminum housing
- Chimney type structure design improves heat dissipation, increasing lifespan
- Stainless steel hardware
- Weight - 10.8 lbs
- 3/4" NPT threaded conduit/wire access port or multi-mount attachment points
- RoHS Compliant

Optical System

- Tempered glass creates uniform light distribution and maximizes lumen output
- Diffused lens optional**
- CCT: 5000K, 3000K**, or 4000K***
- CRI: 70+

Electrical

- Input voltage of 100-240/277VAC or 347-480VAC (45W only)**
- Input frequency of 50/60Hz
- Power Factor of ≥ 0.95
- THD <20%
- 10kA surge protector
- Reported L70 hours >50,000

Environmental

- Ambient Operating Temperature -40°F (-40°C) ~ 131°F (55°C)
 - C1D2 T4A at 131°F (55°C)
 - C2D1 T5 at 131°F (55°C)
 - C2D2 T5 at 131°F (55°C)
- Ambient Operating Humidity of 10%~90% RH

Finish

- RAL 7037 (Dusty Gray) polyester powder coat

Installation

- Mounting Options Include:
 - Multi-mount and associated accessories
 - Adjustable trunnion bracket for ceiling, wall, etc.
 - Pendant (3/4" NPT)
- For installations where power surge may be possible, NICOR recommends installing additional surge protection at the electrical distribution panel

Warranty

- 5-year limited system warranty standard
- Warranty does not cover product failure due to an overvoltage event (power surge)

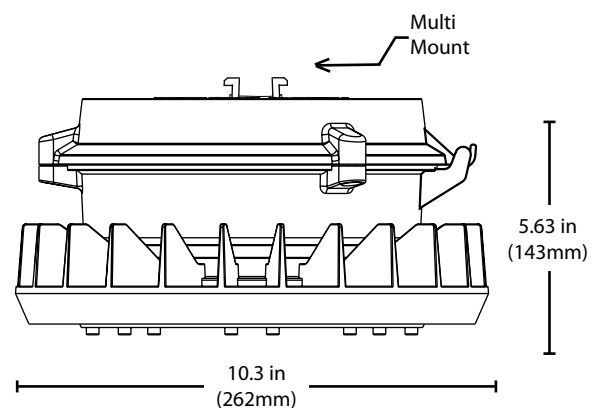
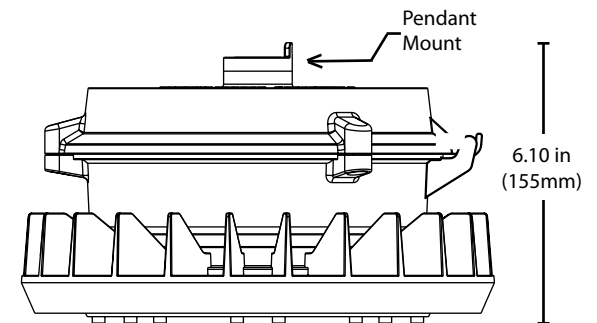
**Consult factory for lead time

Project

Catalog

Type

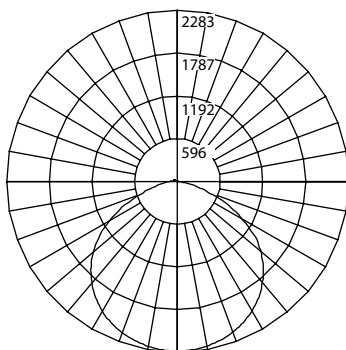
Date



Photometric Data

XPR 45W 5000K

Input Voltage (VAC)	120-277
System Level Power (W)	42.3
120V Current (A)	0.353
277V Current (A)	0.153
Delivered Lumens (Lm)	6499
System Efficacy (Lm/W)	153.6
Correlated Color Temp (K)	5061
Color Rendering Index (CRI)	72.73
Power Factor	0.9734
THD	13.1%
Beam Angle	114.5°
Spacing Criteria	1.32



Intensity Summary (Candle Power)

Angle	Mean CP
0	2314
5	2307
15	2247
25	2125
35	1934
45	1657
55	1275
65	771
75	251
85	15
90	2

CCT Data Multiplier

XPR1B045U30GR	0.952
---------------	-------

Cone of Light Tabulation

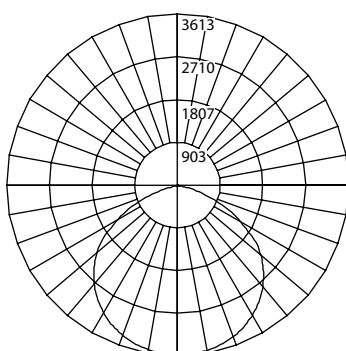
Mounted height (Feet)	Footcandles Beam Center	Diameter (Feet)
8	36.2	10.5
10	23.1	13.1
12	16.0	15.8
14	11.8	18.4
16	9.0	21.0
18	7.1	23.8
20	5.8	26.0

Zonal Lumen Summary

Zone	Lumens	% of Luminaire
0-30	1833	28.2%
0-40	3041	46.8%
0-60	5441	83.7%
0-90	6486	99.8%
90-180	13	0.2%
0-180	6499	100.0%

XPR 65W 5000K

Input Voltage (VAC)	120-277
System Level Power (W)	65.07
120V Current (A)	0.543
277V Current (A)	0.235
Delivered Lumens (Lm)	9892
System Efficacy (Lm/W)	152.01
Correlated Color Temp (K)	5073
Color Rendering Index (CRI)	72.87
Power Factor	0.976
THD	<20%
Beam Angle	114.2°
Spacing Criteria	1.32



Intensity Summary (Candle Power)

Angle	Mean CP
0	3523
5	3515
15	3423
25	3238
35	2942
45	2521
55	1934
65	1153
75	376
85	24
90	3

CCT Data Multiplier

XPR1B065U30GR	0.952
---------------	-------

Cone of Light Tabulation

Mounted height (Feet)	Footcandles Beam Center	Diameter (Feet)
8	55.0	10.5
10	35.2	13.1
12	24.5	15.7
14	18.0	18.3
16	13.8	20.9
18	10.8	23.5
20	8.8	26.0

Zonal Lumen Summary

Zone	Lumens	% of Luminaire
0-30	2794	28.2%
0-40	4633	46.8%
0-60	8285	83.8%
0-90	9866	99.7%
90-180	26	0.3%
0-180	9892	100.0%

Fixture tested per LM-79-08. Photometric data is of the performance of a representative fixture. Results may vary in the field.

Performance Data

Model Number	Lumens	Watts	Lumens/Watt
XPR1B045U40GR	6426	42.3	151.9
XPR1B045U50GR	6499	42.3	153.6
XPR1B065U40GR	9416	65.1	144.6
XPR1B065U50GR	9892	65.1	152.0

T Ratings

Class/Div	Ratings
C1D2	T4A
C2D1	T5
C2D2	T5

EPA

0.84 ft²

Ordering Information

Example: XPR1B045U50GRMD

Series	Version	Class/DIV	Wattage	Voltage	CCTs	Finish	Mounting	Lens
XPR	1 (Version 1)	B (C1D2)	045 (45W)	U (100-240/277VAC)	50 (5000 K)	GR (Gray)	M (Multi-Mount)*	— (Clear)
			065 (65W)***	H (347-480VAC)**	30 (3000 K)**		P (Pendant)	D (Diffused)**
					40 (4000 K) **			

*Multi-mount required for all mounting options except pendant and trunnion special order.

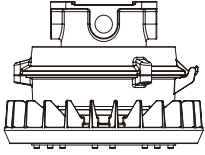
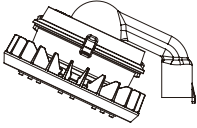
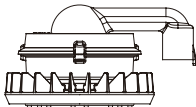
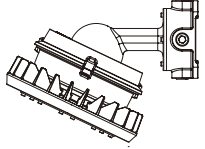
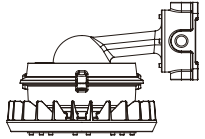
**Consult factory for lead time.

***Available in 100-240/277VAC only

Specifications and dimensions subject to change without notice.





Multi-Mount Accessories

Accessories Sold Separately

Ceiling Mount Junction Box	XPR1JBOX	
25° Stanchion (1.25") 25° Stanchion (1.50")	XPR1STANCHION25125 XPR1STANCHION25150	
90° Stanchion (1.25") 90° Stanchion (1.50")	XPR1STANCHION90125 XPR1STANCHION90150	
25° Wall Mount	XPR1WALLMOUNT25	
90° Wall Mount	XPR1WALLMOUNT90	

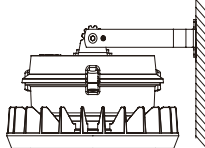
Safety Accessories

Accessories Sold Separately

3' Standard Safety Cable	XP1SAFETYCABLE-3	
Wire Guard	XPR1WG	
Drop Lens Wire Guard	XPR1WGDROPLENS	
Drop Lens	XPR1BDROPLENS	

Pendant Mount Accessories

Accessories Sold Separately

Trunnion Mount	XPR1BRACKET	
----------------	-------------	---

This device complies with part 15 of the FCC Rules. Operation is subject to the following two conditions: (1) This device may not cause harmful interference, and (2) this device must accept any interference received, including interference that may cause undesired operation.

NOTE: This equipment has been tested and found to comply with the limits for a Class A digital device, pursuant to part 15 of the FCC Rules. These limits are designed to provide reasonable protection against harmful interference when the equipment is operated in a commercial environment. This equipment generates, uses, and can radiate radio frequency energy and, if not installed and used in accordance with the instruction manual, may cause harmful interference to radio communications. Operation of this equipment in a residential area is likely to cause harmful interference in which case the user will be required to correct the interference at his own expense.