

# RP-SAL-G2 SOLAR AREA LIGHT



## INSTALLATION AND USERS GUIDE

**PRIOR TO INSTALLATION, PLEASE READ THE ENTIRE INSTALLATION INSTRUCTIONS**  
These instructions only apply to the RP-SAL-8W-G2 AND RP-SAL-30W-G2

### WARNINGS

THIS LIGHT SHOULD BE INSTALLED BY A QUALIFIED PROFESSIONAL.  
INSTALLER RESPONSIBLE TO ENSURE SAFE INSTALLATION, PROPER MAINTENANCE AND SAFETY CHECKS.  
NOT FOR EMERGENCY LIGHTING.  
NOT FOR USE IN ENVIRONMENTS WHERE EXPLOSIVE OR CORROSIVE GASES ARE PRESENT.  
NO USER SERVICABLE PARTS INSIDE FIXTURE. DO NOT DIS-ASSEMBLE OR MODIFY THE FIXTURE IN ANY WAY.

### NOTES

THIS SOLAR FIXTURE COMES WITH A 5 YEAR WARRANTY AGAINST MANUFACTURING DEFECTS.  
THIS WARRANTY DOES NOT COVER PHYSICAL DAMAGE, WEAR AND TEAR OR IMPROPER OPERATION.  
WARRANTY DOES NOT COVER NORMAL BATTERY PERFORMANCE LOSS OVER TIME.  
SOLAR FIXTURE PERFORMANCE IS HEAVILY INFLUENCED BY THE ENVIRONMENT. SUNLIGHT LEVEL, EXTREME TEMPERATURES, SNOW, DIRT, AND PROGRAM SLECTION WILL AFFECT PERFORMANCE.

IF THE LIGHT IS NOT OPERATING CORRECTLY, PLEASE REVIEW THE INSTRUCTIONS TO ENSURE THAT THE LIGHT IS PROPERLY SET UP. SET THE LIGHT TO SENSOR MODE 20% TO 80%. ENSURE THAT THE TEMPERATURE IS WITHIN RANGE. AFTER THESE ISSUES HAVE BEEN ADDRESSED, IF THERE IS STILL AN ISSUE CONTACT THE MANUFACTURER.



## INSTALLATION REQUIREMENTS

MODEL	INSTALLATION	BASE	TEMPERATURE RANGE
RP-SAL-8W-G2 RP-SAL-30W-G2	INSTALL ON 2 3/8 INCH TENON WITH SUPPLIED SLIP FITTER BRACKET OR USE OPTIONAL BRACKET.  CONFIRM THAT POLE OR STRUCTURE WILL SUPPORT RP-SAL-8W EPA 1.2 WEIGHT 12 LB RP-SAL-30W EPA 4.8 WEIGHT 30 LB	2 3/8" SLIP FITTER  OTHER MOUNTING BRACKETS ARE AVAILABLE	Operating Temperature: -4F to 122F  Battery Charge Temperature: 32F to 122F

## CONTENTS

- LIGHT FIXTURE WITH SLIP FITTER
- INSTRUCTIONS
- REMOTE CONTROL WITH BATTERIES
- WRENCH (TAMPER RESISTANT)
- AC/DC CHARGER

## PRE- INSTALLATION INSTRUCTIONS

### Pre-Installation Notes:

- 1) Confirm contents listed above.
- 2) Select a site that gets direct sunlight and is not blocked by trees, buildings, structures etc.
- 3) Confirm that no light sources will shine on the solar panel during the night-time hours. The solar panel functions like a photo-cell. If there is light on the solar panel, the LED lights will not come on.
- 4) The light needs 1-2 days to get on the proper charge/discharge cycle. Do not expect the best performance the first nights that the light is in operation.
- 5) Confirm that the pole is strong enough to support EPA and weight in table above. If any extreme, or abnormal conditions exist, please take these into account.
- 6) Review Solar Best Practice Guidelines on the Solera-Solar.com web site under Marketing Materials.
- 7) Charge light for 4 hours using the charger prior to installation.
- 8) The operating mode will need to be adjusted based on the environment. It may be necessary to change the program at different times of the year.

[solera-solar.com](http://solera-solar.com) • 847.380.3540

LIGHT EFFICIENT DESIGN HEADQUARTERS 188 S. Northwest Highway • Cary, IL 60013  
INNOVATION & MANUFACTURING CENTER 30 Log Bridge Road, Building 200 • Middleton, MA 01949  
847.380.3540 • led-llc.com

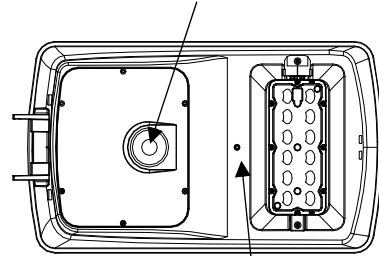
05.15.23 Information is subject to change without notice.



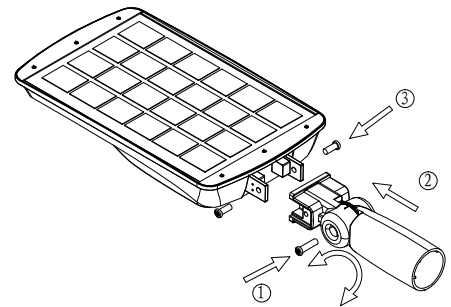
### INSTALLATION INSTRUCTIONS

- 1) Carefully remove light from packaging.
- 2) For best results, charge the light for 4 hours prior to installation using the included charger. Please see image on the right for charging port location.
- 3) Check the function of the light by placing it solar panel down on the carton or packing material. Do this in a way that prevents light from reaching the solar panel.
- 4) Ensure that the remote control has batteries in it.
- 5) Point the remote control at the sensor window and press the “On” button to turn the light on (see page 3).
- 6) The LED light panel should come on, and the red indicator light should be blinking slowly or on solid.
- 7) Once confirmed, turn the light off.
- 8) If using the included slip fitter, slide it onto the fixture and secure it using the included tamper resistant bolts and wrench. Please see diagram on the right.
- 9) The LED angle can be adjusted by loosening the screws, rotating the panel and then tightening the screws. Please see image on the right.
- 10) Install the fixture on the pole, bracket or mounting surface as shown. Several mounting examples are shown.
- 11) Using the remote control turn the fixture on and set the mode.
- 12) Ensure that the fixture receives direct sunlight, and is oriented so that the solar panel faces south (Northern Hemisphere) and that the solar panel has an angle of 15 degrees or more to allow for self-cleaning.
- 13) Tighten and Double Check that all mounting hardware has been properly tightened.
- 14) Check LED Light panel orientation, re-adjust if necessary. Ensure that the 2 locking screws are secure.
- 15) Please read next page for remote control operation and setting the mode and output of the light.

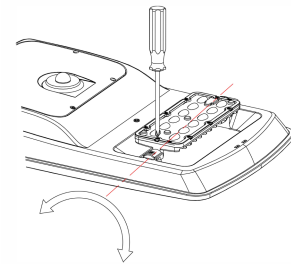
Sensor Window / Indicator Light



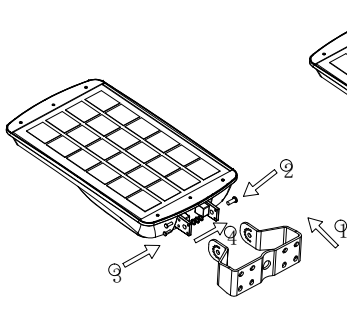
Charging Port



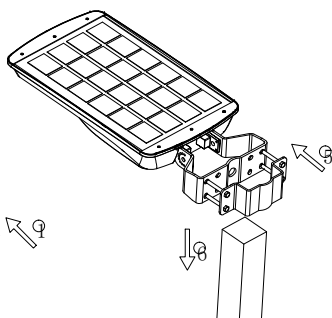
Slip Fitter Installation



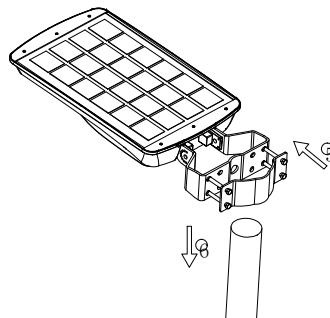
LED Panel Angle Adjustment



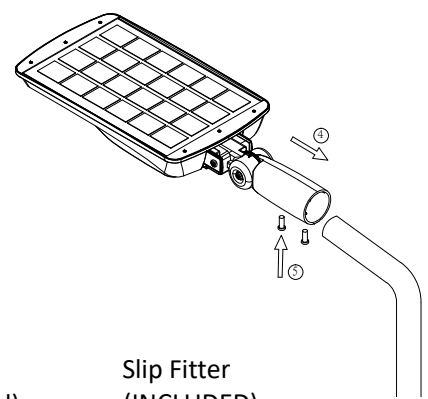
Trunnion Bracket  
(Optional, not included)



Square Pole Bracket  
(Optional, not included)

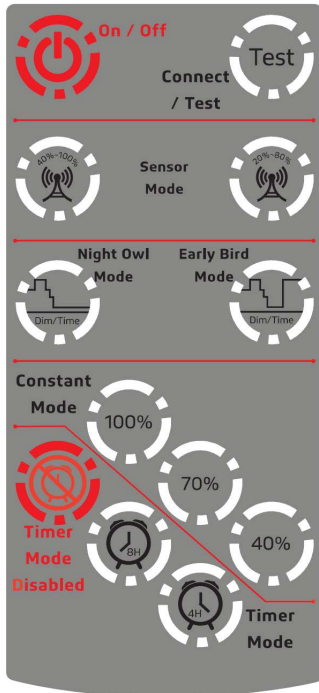


Round Pole Bracket  
(Optional, not included)



Slip Fitter  
(INCLUDED)

## INSTALLATION INSTRUCTIONS – Operating Mode



- ← Power and Test Buttons
- ← Sensor Mode (Recommended)  
Standard 2-minute dwell time.
- ← Time Control Mode
- ← Constant Mode  
100% or 70% suitable for long day, high sun conditions
- ← Timer Mode

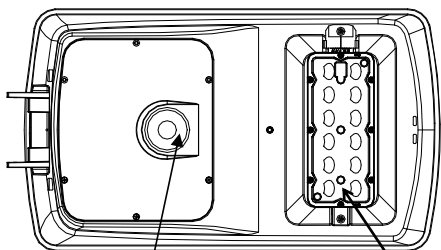
### Remote Control Operation

Use the Power button to turn the light on when it is installed. The solar panel will not charge the light, and it will not operate unless it is “on”.

To maximize battery life, choose the sensor mode with the 20% to 80% setting. This will operate the fixture at 20% output and increase to 80% when the sensor detects motion.

When Switching modes, the LED Light Panel will flash twice when the signal is received.

For best results, point the remote at the Sensor Window (Indicator). The remote has a range of 30+ feet.



Red and green indicator

Light module

### Indicator Light (Red)

The indicator light in the sensor window provides information on the charge state.

- Slow Blink – Regular Charging
- Fast Blink – Fault
- Solid Red Light – Fully Charged

### Sensor Range

At a mounting height of 20 feet, the sensor detection area is approximately a 25-foot diameter area.

