

LED RECESSED DOWNLIGHTS - 4" COLOR SELECTABLE INSTALLATION INSTRUCTIONS

Items:

RTL/400WH/7W/CTS-46

RTL/403WH/7W/CTS-46

WARNING – Risk of fire or electric shock. LED Retrofit Kit installation requires knowledge of luminaires electrical systems. If not qualified, do not attempt installation. Contact a qualified electrician.

WARNING – Risk of fire or electric shock. Install this kit only in the luminaires that have the construction features and dimensions shown in the photographs and/or drawings and where the input rating of the retrofit kit does not exceed the input rating of the luminaire.

-SUITABLE FOR TYPE IC OR NON-IC LUMINAIRES

-MIN. LAMP COMPARTMENT DIMENSIONS 3.95" Dia x 5.5" H

Do not make or alter any open holes in an enclosure of wiring or electrical components during kit installation.

-WARNING – To prevent wiring damage or abrasion, do not expose wiring to edges of sheet metal or other sharp objects.

THIS DEVICE IS NOT INTENDED FOR USE WITH EMERGENCY EXITS.

Installation

The LED retrofit luminaire conversion kit includes installation instruction, LED lamp and field-applied label.

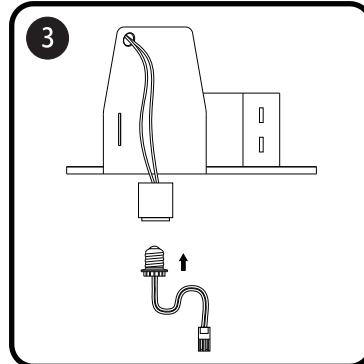
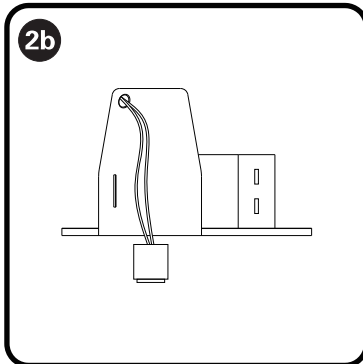
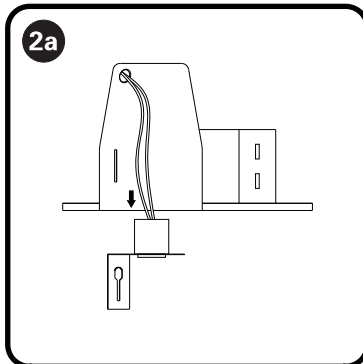
Step 1: Make sure the power is turned off at the source to the recessed housing that you are installing the downlight in. Remove existing bulb and trim. Attach the provided field applied label to the luminaire where readily visible by the user during relamping.

Step 1a: Prior to installation, move CCT select switch to the desired color temperature

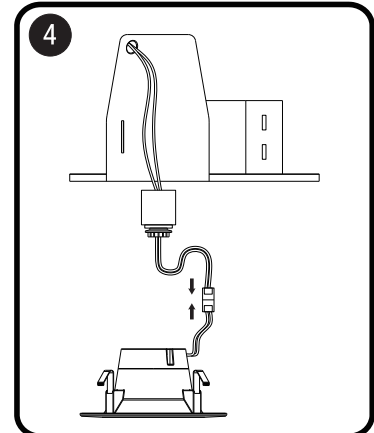
Step 2: If applicable, remove existing socket mounting plate from the recessed housing, then remove lamp socket from the plate.

Step 3: Disconnect the included Edison base adaptor from LED downlight and screw Edison base adaptor into socket in recessed housing.

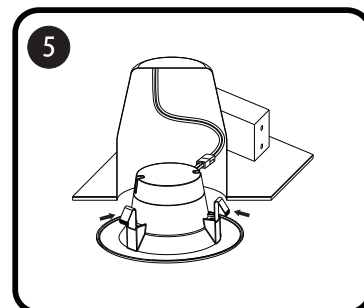
Step 4: Re-connect LED downlight to the Edison base adaptor.



*Please note, for LED-ready cans, remove Edison base adaptor and use quick-connects to connect directly to can



Step 5: Carefully route wires into fixture and press the three clips on the LED downlight towards the unit to insert downlight into recessed housing.



Step 6: Push recessed kit up until flush to ceiling surface.

