



INSTALLATION INSTRUCTIONS STREETLIGHT

MODELS:

SI923STF-SOW, SL923STF-100W, SI923STF-150W, SL923STF-200W

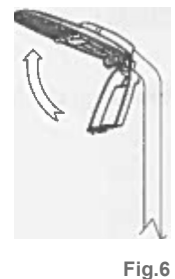
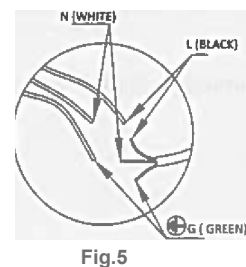
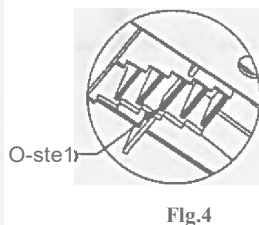
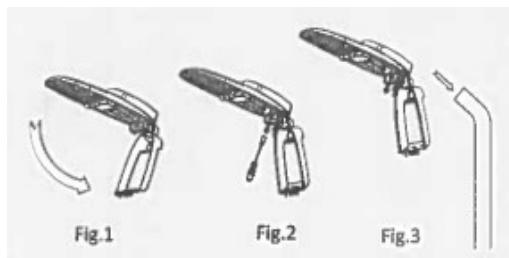
SAFETY INSTRUCTION

- Read instructions carefully before attempting to install fixture.
- Disconnect power before installing or servicing.
- This fixture must be wired in accordance with the National Electrical Code and applicable local codes and ordinances.
- All wiring should be performed by a qualified electrician.
- Suitable for using in the following locations:
Ambient Temp.: -40-+40°C; Wet Locations
- If the external flexible cable or cord of this luminaire is damaged, it shall be exclusively replaced by the manufacturer or his service agent or a similar qualified person in order to avoid a hazard.
- The light source of this luminaire is not replaceable; when the light source reaches its end of life the whole luminaire shall be replaced.
- Retain instruction for future reference.



INSTALLATION on 1.575" or 2.362" diameter pole

1. Open the front cover. (Fig. 1)
2. Use tool to loosen the two screws which were pre-installed on the lamp for fixing lamp to the pole. (Fig. 2)
3. Install the lamp on the pole. (Fig. 3)
4. Refer to step, adjust the lamp installation angle up or down (each step is 2.5°), see (Fig. 4).
Ensure the lamp was safely and firmly fixed.
5. Connect the lamp pole internal cable with the luminaire cable. The neutral line is connected to the neutral line. The ground line is grounded, and the live line is connected to the fire line. (Fig. 5)
6. Close the front cover, the installation is completed. (Fig. 6)
7. According to the lamp inner wiring schematic, connect wires safely (if needed). (Fig. 7)



WIRING DIAGRAM

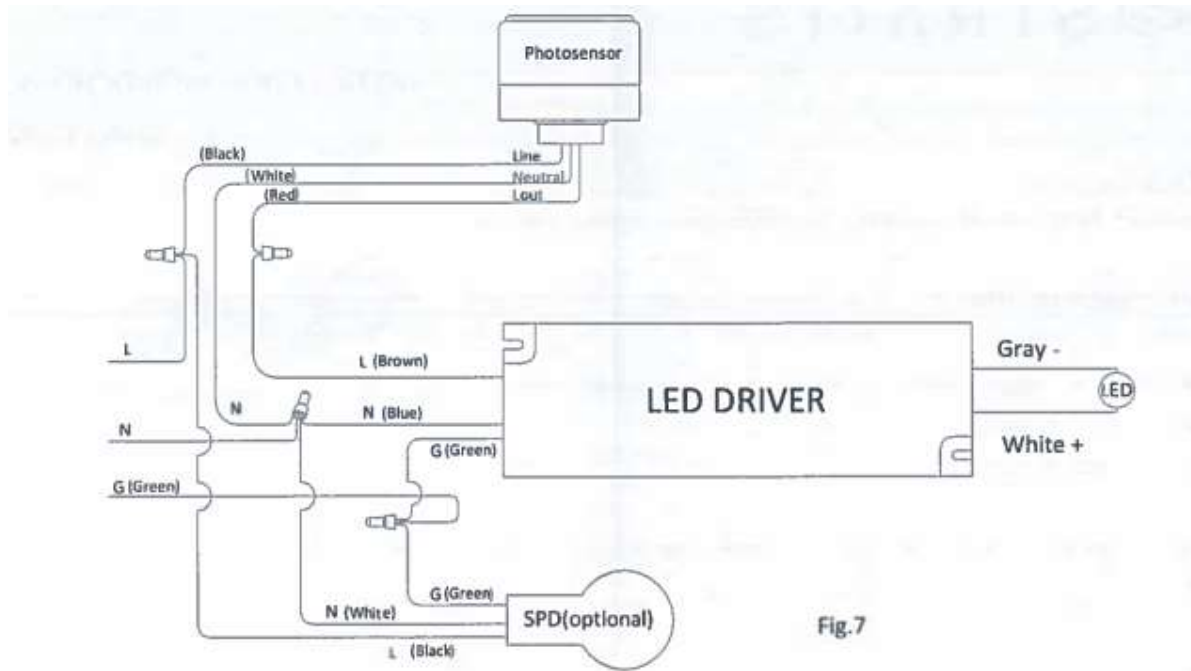


Fig.7

Model number parameter list:

MODEL	VOLTAGE	Power Factor	WATT	CURRENT Max.	Maximum Weight
SL923STF-50W	100-277V AC	>0.9	50W	0.65A	4.3kgs
SL923STF-80W	100-277V AC		80W	1.0A	4.3kgs
SL923STF-90W	277-480V AC		90W	0.5A	4.5kgs
SL923STF-100W	100-277V AC		100W	1.5A	4.5kgs
SL923STF-150W	100-277V AC		150W	1.65A	6.2kgs
SL923STF-150W	277-480V AC		150W	0.64A	6.2kgs
SL923STF-200W	100-277V AC		200W	2.25A	6.7kgs
SL923STF-200W	277-480V AC		200W	1.0A	6.7kgs

After installation, please

- ▶ check whether the lighting fixture is firmly fixed.
- ▶ check whether wires are connected correctly.

At fast, turn on the power, and check if the lighting fixture works well. If not, please turn off the power and contact with local dealer.

Warning: the luminaire shall be installed by a qualified electrician.