

STRAITS STREET LIGHT

PID: SL923STF



APPLICATIONS:

- STREET LIGHTING
- ROADWAYS
- LARGE PARKING LOTS

SPECIFICATIONS:

FEATURES

ADC12 Aluminum heat sink
 Outdoor powder coating
 Aluminum LED board
 Min. starting temperature -40°F (-40°C)
 Max. starting temperature 104°F (40°C)

ENERGY DATA

Internal Driver: 100-277V
 Power Factor > 0.90
 Total Harmonic Distortion < 20%
 Surge protection 6~10KV

LED MODULES

LUMILEDS LED chips
 Available Kelvin temperature of 30K, 40K and 50K
 Lens Type II and Type III
 CRI > 70
 50,000 hour rated life

ADD ONS

Photocell

CERTIFICATIONS

UL certified
 LM79 tested
 IP65 Rated

WARRANTY

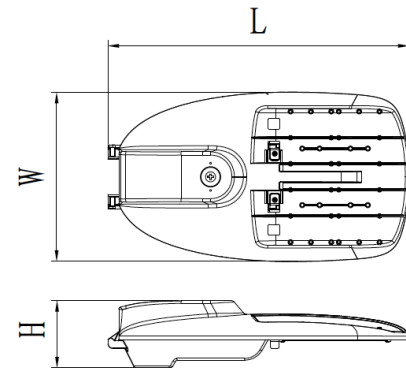
5 year warranty

PRODUCT DETAILS

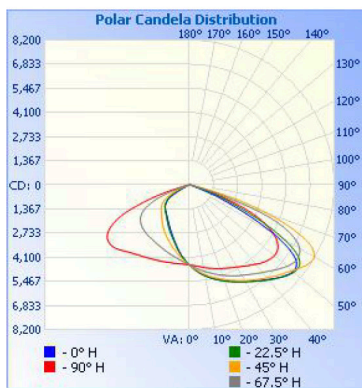
| Product | Watts | Input | Lumens ^{1,2} | CCT ¹ | Amps | BUG | Dimmable | Lens Type |
|----------|-------|----------|-----------------------|------------------|-------|----------|----------|-----------|
| SL923STF | 30W | 100-277V | 3,900 | 40K, 50K | .5A | B4-U0-G3 | 0-10V | Type III |
| | 50W | | 6,500 | | .65A | | | |
| | 80W | | 10,800 | | 1.0A | | | |
| | 90W | 277-480V | 12,500 | | .5A | | | Type II |
| | 100W | 100-277V | 13,500 | | 1.5A | | | |
| | 150W | | 21,000 | | 1.65A | | | |
| | 150W | 277-480V | 21,500 | | .64A | | | Type III |
| | 200W | 100-277V | 27,500 | | 2.25A | | | |
| | 200W | 277-480V | 28,500 | | 1.0A | | | |

PRODUCT DIMENSIONS

| Wattage | Length (Inches) | Width (Inches) | Height (Inches) |
|---------|--------------------|-------------------|--------------------|
| 30W | 14.6" | 6.8" | 3.1" |
| 50W | | | |
| 80W | 18.2" | 8.9" | 4.6" |
| 90W | | | |
| 100W | | | |
| 150W | 21.8" | 12.2" | 4.8" |
| 200W | | | |



LM79 REPORT Results based on 150W



| Center Beam fc | Beam Width | |
|----------------|------------|----------|
| | Left | Right |
| 17.0ft | 15.7 ft | 31.5 ft |
| 34.0ft | 3.92 ft | 62.9 ft |
| 51.0ft | 1.74 ft | 94.4 ft |
| 68.0ft | 0.98 ft | 125.8 ft |
| 85.0ft | 0.63 ft | 157.3 ft |
| 102.0ft | 0.44 ft | 188.7 ft |

■ Vert. Spread: 85.5°
■ Horiz. Spread: 114.9°

| Zone | Lumens | % Lamp | % Luminaire |
|--------|----------|--------|-------------|
| 0-30 | 3,849.6 | 20.3% | 20.3% |
| 0-40 | 6,804.9 | 35.9% | 35.9% |
| 0-60 | 15,017.7 | 79.3% | 79.3% |
| 60-90 | 3,918.8 | 20.7% | 20.7% |
| 70-100 | 730.9 | 3.9% | 3.9% |
| 90-120 | 0 | 0% | 0% |
| 0-90 | 18,936.5 | 100% | 100% |
| 90-180 | 0 | 0% | 0% |
| 0-180 | 18,936.5 | 100% | 100% |

| Zone | Lumens | % Total | Zone | Lumens | % Total |
|-------|---------|---------|---------|--------|---------|
| 0-10 | 433.7 | 2.3% | 90-100 | 0 | 0% |
| 10-20 | 1,289.8 | 6.8% | 100-110 | 0 | 0% |
| 20-30 | 2,126.1 | 11.2% | 110-120 | 0 | 0% |
| 30-40 | 2,955.2 | 15.6% | 120-130 | 0 | 0% |
| 40-50 | 3,810.2 | 20.1% | 130-140 | 0 | 0% |
| 50-60 | 4,402.6 | 23.2% | 140-150 | 0 | 0% |
| 60-70 | 3,187.9 | 16.8% | 150-160 | 0 | 0% |
| 70-80 | 677.5 | 3.6% | 160-170 | 0 | 0% |
| 80-90 | 53.4 | 0.3% | 170-180 | 0 | 0% |

ORDERING GUIDE

| ORDER CODE | WATTS | VOLTAGE | CCT | MOUNT TYPE | COLOR | DIMMING | ACCESSORY |
|------------|--|----------------------------|---|-----------------|---|-------------|---------------|
| SL923STF | 30W 50W 80W 90W 100W 150W 200W | SU=100-277V HV=277-480V | 30K = 3000K 40K = 4000K 50K = 5000K | SA = Street Arm | WH=White BK=Black BR=Brown YE=Yellow SV=Silver GR=Gray | D = Dimming | P = Photocell |

ORDER EXAMPLE: SL923STF-50W-SU-40K-SA-WH-D-P

1. CCT Range complies with ANSI C78.377-2008
2. Rated average life based on engineering testing and probability analysis
3. Lifetime test consistent with IESNA LM80 lumen maintenance procedure
4. Wattage, Lumens, and Lamp Efficacy are dependent upon efficiency of existing ballast.