



Eagle Series 2nd Generation LED Area Light

PROJECT INFORMATION

| | |
|----------------|-------------------------------|
| JOB NAME | |
| FIXTURE TYPE | Small Eagle Series Area Light |
| CATALOG NUMBER | SLPS |
| APPROVED BY | |

SPECIFICATIONS

Construction:

Designed for commercial and industrial applications, providing cooler operating temperatures, brighter light and longer LED life. The die cast aluminum housing utilizes external airflow fins allow for greater heat dissipation. The easy access driver compartment is a thermally independent compartment, separate from LED generated heat, for cooler operation and longer driver life.

Optics:

Atlas Eagle fixtures utilize precision engineered individual lenses for maximum light intensity. The lens is made of optical grade polycarbonate. Advanced one piece optic board engineered for maximum light intensity. Types II, V and Forward Throw distributions are available. Types II and Forward Throw optics are rotatable allowing for optimal placement of the fixtures on the perimeter of any layout.

Mounting:

The easy mount bracket makes installation to any style pole quick and easy. Tenon and other mounting accessories also available. For round poles 500-SLPMRPA is required.

Thermal Management:

Atlas Eagle fixtures are designed as a complete system to optimize LED life and light output. The thermal stacking heat removal technology extracts heat from within the housing moving it away from LEDs and components. The lower temperatures result in long LED life (200,000+ hrs¹) and component life and also allows for higher light output.

Selectable Lumens:

Atlas Eagle selectable area lights are quick and easy to select and set up. Selectable lumens range in 6,000 / 8,000 / 12,000.

Listings:

Luminaire is certified to UL/cUL Standards for Wet Locations DesignLights Consortium qualified luminaire, eligible for rebates from DLC member utilities. *See chart on last page for qualifying products.*

AC Input: 120/208/240/277/347/480 V

Driver:

Constant current, 120-277 VAC, 50-60 Hz
High Efficiency – min. 88%
O-State Power: 0 Watts
0-10 V Dimming

LEDs:

Available in 4000K, 4500K and 5000K, CCT
Epoxy Guard™ protective conformal coated boards

Reduced Glare:

Positioning of the LED modules within the housing result in light directed to desired locations and reduces offensive light.

Testing:

Atlas LED luminaires have been tested by an independent laboratory in accordance with IESNA LM-79 & LM-80.

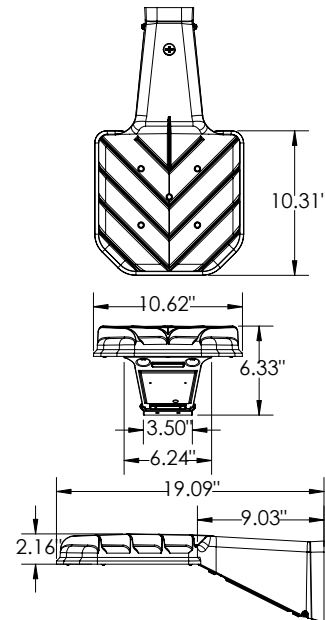
Warranty: Five-year limited warranty

¹LED Life Span Based Upon LM-80 Test Results

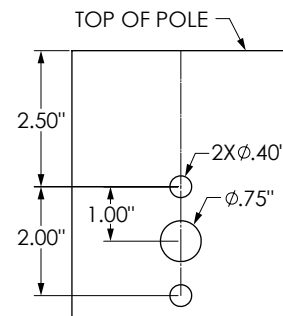


DIMENSIONS

Weight: 12 lbs.
EPA: 0.40



DRILL PATTERN



For round poles 500-SLPMRPA is required.

Rebates and Incentives are available in many areas. Contact an Atlas Representative for more information.

*The majority of Atlas Lighting Products are assembled in USA facilities by an American Workforce utilizing both Domestic and Foreign components. Meets Buy American requirements within the ARRA.



Eagle Series

2nd Generation LED Area Light



ORDERING INFORMATION

| SLPS | S | 6-12L | T2 | 4K | | | | |
|--------------------------------------|----------------|---|--|---|--------------------------------|-----------------|---|---|
| PRODUCT SERIES | SELECTABLE | LUMEN PACKAGE | DISTRIBUTION | COLOR TEMP. | VOLTAGE | COLOR RENDERING | FIXTURE COLOR | OPTIONS |
| SLPS = Small Eagle Series Area Light | blank = Fixed | 6L = 6,000 Lumens 9L = 9,000 Lumens 12L = 12,000 Lumens | T2 = Type 2 T5 = Type 5 FT = Forward Throw T2L = Type 2 Rotated Left FTL = Forward Throw Rotated Left T2R = Type 2 Rotated Right FTR = Forward Throw Rotated Right | 4K = 4000K 45K = 4500K 5K = 5000K | Blank = 120-277 4 = 347/480 | Blank = 70CRI | Blank = Bronze BK = Black SL = Silver WT = White | PR = 7 Pin Photocell Receptacle SP = Surge Protection IC = Integrated Motion Control* <i>*Only available in 120-277V / Not available on Selectable Units</i> |
| SLPS = Eagle Series Area Light | S = Selectable | 6-12L = 6,000, 8,000, 12,000 Lumens Selectable | | | | | | |

PERFORMANCE DATA

| LUMEN PACKAGE | DISTRIBUTION | CRI | 4000K CCT | | 4500K CCT | | 5000K CCT | | WATTAGE | BUG RATING | REPLACES UP TO |
|---------------|--------------|-----|------------------|----------------|------------------|----------------|------------------|----------------|---------|------------|----------------|
| | | | DELIVERED LUMENS | EFFICACY (LPW) | DELIVERED LUMENS | EFFICACY (LPW) | DELIVERED LUMENS | EFFICACY (LPW) | | | |
| FIXED | | | | | | | | | | | |
| 6L | T2 | 70 | 6,297 | 154 | 6,288 | 153 | 6,288 | 153 | 41 | B1-U0-G1 | 175W MH |
| | FT | 70 | 6,005 | 146 | 5,839 | 144 | 5,839 | 144 | 41 | B1-U0-G1 | |
| | T5 | 70 | 6,025 | 147 | 6,016 | 147 | 6,016 | 147 | 41 | B3-U0-G1 | |
| 9L | T2 | 70 | 9,041 | 144 | 8,859 | 142 | 8,859 | 142 | 63 | B2-U0-G2 | 175W MH |
| | FT | 70 | 8,717 | 139 | 8,541 | 136 | 8,541 | 136 | 63 | B2-U0-G2 | |
| | T5 | 70 | 8,639 | 138 | 8,465 | 135 | 8,465 | 135 | 63 | B3-U0-G2 | |
| 12L | T2 | 70 | 12,028 | 136 | 11,822 | 133 | 11,822 | 133 | 89 | B2-U0-G2 | 250W MH |
| | FT | 70 | 11,417 | 129 | 11,222 | 127 | 11,222 | 127 | 89 | B2-U0-G2 | |
| | T5 | 70 | 11,578 | 131 | 11,380 | 129 | 11,380 | 129 | 89 | B4-U0-G2 | |

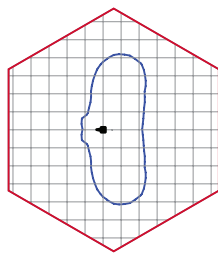
| LUMEN PACKAGE | DISTRIBUTION | CRI | 4000K CCT | | 4500K CCT | | 5000K CCT | | WATTAGE | BUG RATING | REPLACES UP TO |
|-------------------|--------------|-----|------------------|----------------|------------------|----------------|------------------|----------------|---------|------------|----------------|
| | | | DELIVERED LUMENS | EFFICACY (LPW) | DELIVERED LUMENS | EFFICACY (LPW) | DELIVERED LUMENS | EFFICACY (LPW) | | | |
| SELECTABLE | | | | | | | | | | | |
| 6L-12L | T2 | 70 | 6,036 | 143 | 6,036 | 143 | 6,036 | 143 | 42 | B2-U0-G2 | 175W MH |
| | FT | 70 | 5,899 | 140 | 5,859 | 139 | 5,859 | 139 | | B2-U0-G2 | |
| | T5 | 70 | 5,812 | 138 | 5,812 | 138 | 5,812 | 138 | | B4-U0-G2 | |
| | T2 | 70 | 8,946 | 142 | 8,946 | 142 | 8,946 | 142 | 63 | B2-U0-G2 | 175W MH |
| | FT | 70 | 8,743 | 138 | 8,684 | 137 | 8,684 | 137 | | B2-U0-G2 | |
| | T5 | 70 | 8,614 | 136 | 8,614 | 136 | 8,614 | 136 | | B4-U0-G2 | |
| | T2 | 70 | 11,755 | 137 | 11,755 | 137 | 11,755 | 137 | 86 | B2-U0-G2 | 250W MH |
| | FT | 70 | 11,488 | 134 | 11,410 | 133 | 11,410 | 133 | | B2-U0-G2 | |
| | T5 | 70 | 11,319 | 132 | 11,319 | 132 | 11,319 | 132 | | B4-U0-G2 | |



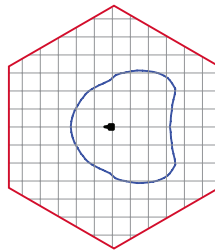
ACCESSORY ORDERING INFORMATION

| | | | PART NUMBER | DESCRIPTION | FINISH | STD. PKG. |
|--|--|--|-----------------|---|--------|-----------|
| | | | TLRA-7P | 7 Pin Photocell Receptacle | Bronze | 1 |
| | | | 80-SP | Surge Protection 120-277V | n/a | 1 |
| | | | 80-SP480 | Surge Protection 480V | n/a | 1 |
| | | | 80-SLMS | Line Voltage Bi-Level Occupancy Sensor | Bronze | 1 |
| | | | HSSS | House Side Shield for SLPS | Bronze | 1 |
| | | | HSSM | House Side Shield for SLPM | Bronze | 1 |
| | | | 500-SLPMRPA | Round Pole Adapter | Bronze | 1 |
| | | | 500-WBBZ | Wall Bracket | Bronze | 1 |
| | | | 500-WPBBZ | Wooden Pole Bracket | Bronze | 1 |
| | | | 500-SAB | Spoke Arm Bracket | Bronze | 1 |
| | | | 500-AAB | Adjustable Angled Bracket | Bronze | 1 |
| | | | 500-15BSQBZ | 15° Angled Bracket | Bronze | 1 |
| | | | 500-SPTABZ | Square Pole Tenon Adapter | Bronze | 1 |
| | | | 500-RPT90BZ | Square or Round Pole w/Tenon 4 @ 90° | Bronze | 1 |
| | | | 500-RPT120BZ | Square or Round Pole w/Tenon 3 @ 120° | Bronze | 1 |
| | | | 500-RPT243490BZ | Round Pole Top Adapter 4 @ 90° 2.3" - 3.4" Pole Top O.D. | Bronze | 1 |
| | | | 500-RPT35490BZ | Round Pole Top Adapter 4 @ 90° 3.5" - 4" Pole Top O.D. | Bronze | 1 |
| | | | 500-RPT354120BZ | Round Pole Top Adapter 3 @ 120° 3.5" - 4" Pole Top O.D. | Bronze | 1 |

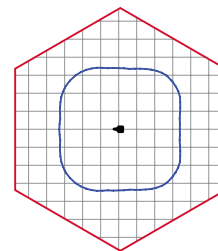
MULTIPLE DISTRIBUTION PATTERNS - ROTATABLE OPTICS



TYPE II



TYPE FT



TYPE V



Eagle Series
2nd Generation LED Area Light



DLC PRODUCT INFORMATION:

| LUMEN PACKAGE | DISTRIBUTION | 4000K CCT | | 4500K CCT | | 5000K CCT | |
|---------------|--------------|----------------|----------------|----------------|----------------|----------------|----------------|
| | | DLC PRODUCT ID | CLASSIFICATION | DLC PRODUCT ID | CLASSIFICATION | DLC PRODUCT ID | CLASSIFICATION |
| FIXED | | | | | | | |
| 6L | T2 | PQWOQO9D | Standard | PXAHRNV6 | Standard | P1GRIUCD | Standard |
| | FT | PAY0VYAV | Standard | PXF4SIUD | Standard | P5QCENSF | Standard |
| | T5 | P0DMQOVI | Standard | P83YWNY8 | Standard | PD4VM47O | Standard |
| 9L | T2 | PUV7WJ61 | Standard | PK37XOG7 | Standard | PNFUPK5T | Standard |
| | FT | PL8ME6NS | Standard | PO7XU14A | Standard | PXVK7P7T | Standard |
| | T5 | P040BRWG | Standard | PUKJHVL9 | Standard | PO2FNUVI | Standard |
| 12L | T2 | PUJMYPND | Standard | PWXFXL19 | Standard | PXWNH38J | Standard |
| | FT | PBHJ66QB | Standard | P1Z84DCL | Standard | PI5NTZ6D | Standard |
| | T5 | PZD6IX8V | Standard | PPBWIPC2 | Standard | PS69WB74 | Standard |

| UNIT | DISTRIBUTION | 4000K CCT | | 4500K CCT | | 5000K CCT | |
|-------------------|--------------|----------------|----------------|----------------|----------------|----------------|----------------|
| | | DLC PRODUCT ID | CLASSIFICATION | DLC PRODUCT ID | CLASSIFICATION | DLC PRODUCT ID | CLASSIFICATION |
| SELECTABLE | | | | | | | |
| 6L-12L | T2 | PCW6I3LZ | Standard | P087LQQG | Standard | P5WGHW42 | Standard |
| | FT | PND4LNM1 | Standard | PB5NA8JN | Standard | PENRJG85 | Standard |
| | T5 | PQAWJSQJ | Standard | P476XOX4 | Standard | PPIJHSF5 | Standard |