

LED CANOPY (MCP07)



DESCRIPTION

MESTER MCP07, is a cost-effective, energy-saving LED light fixture for surface mount applications in commercial buildings, retail, and educational facilities. Thin design, though, the housing provides excellent heat dissipation which prolongs its lifespan. The precision-designed optical lens reduces glare, improves optical performance and provides comfortable lighting effects. The MCP07 is equipped with an external quick-mounting plate suitable for standard J-BOX mount and also compatible with 3/4" pendant mount, with 1/2" knock-out holes reserved on three sides, suitable for surface conduit wiring installation. MCP07 also has high return benefits, it supports 4 lumen package selectable (100%, 80%, 60%, 40%); and Three CCTs selectable (3000K, 4000K, 5000K).



SPECIFICATION FEATURES

Construction

- One-piece die-cast aluminum housing secures the thermally conductive LED panel and electrical chamber.
- Casting thermally conducts LED heat to optimize performance and long life.
- With corrosion-resistant powder coating that provides protection and architectural appearance while adapting well to the environment in the garage.

Optics

- Light engines are available in color tunable version, the CCT can be changed to 3000K/4000K/5000K.
- Scalable Lumen Packages from 3,700 to 8,400 Lumens.
- Anti-UV prismatic translucent lens is designed to shape the light distribution and uniformity.

Electrical

- Universal 120-277 or 120-347 VAC input voltage.
- 0-10V Dimming.
- Both drivers have a power factor >90%, THD <20%.
- Operating Temperature Range: -40°C to 40°C (-40°F - + 104°F).
Note: Operating with emergency battery temperature range: 10°C to 40°C (+50°F - + 104°F).

Controls

- Optional PIR sensor
- Optional Emergency Battery

Lifespan

- Estimated 50,000-hour LED lifespan based on IES LM-80 results and TM-21 calculations.

Warranty

- Five-year warranty.

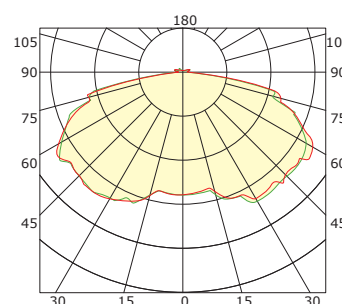
Certifications

- UL cUL wet location listed.
- DesignLights Consortium™ Qualified.
Note: Please refer to the DLC website for specific product qualifications at www.designlights.org.

Note

- Actual performance may differ as a result of end-user environment and application. All values are design or typical values, measured under laboratory conditions at 25°C (±5°C) specifications subject to change without notice.

PHOTOMETRICS



ACCESSORIES(OPTION)



Emergency Battery Backup
Description: 5W 800lm 90min



PIR Sensor, 120-277V
Description: External sensor can be pre-installed in factory or field installed.



Microwave Sensor, 12V
Description: Sensor can be built-in fixture.

PERFORMANCE DATA

SYSTEM WATTS	VOLTAGE	CRI	LUMENS (3000K)	LPW (3000K)	LUMENS (4000K)	LPW (4000K)	LUMENS (5000K)	LPW (5000K)
60W	120-277VAC	70	7800lm	130lm/W	8400lm	140lm/W	8000lm	133lm/W
60W	120-347VAC	70	7800lm	130lm/W	8400lm	140lm/W	8000lm	133lm/W

ADJUSTABLE LUMEN OUTPUT TABLE

SETTING	SETTING WATTS	LUMENS (3000 K)	LPW (3000 K)	LUMENS (4000 K)	LPW (4000 K)	LUMENS (5000 K)	LPW (5000 K)
100 %	60W	7800lm	130lm/W	8400lm	140lm/W	8000lm	133lm/W
80 %	48W	6500lm	135lm/W	7000lm	146lm/W	6600lm	138lm/W
60 %	36W	5200lm	144lm/W	5600lm	156lm/W	5300lm	147lm/W
40 %	25W	3700lm	148lm/W	4000lm	160lm/W	3800lm	152lm/W

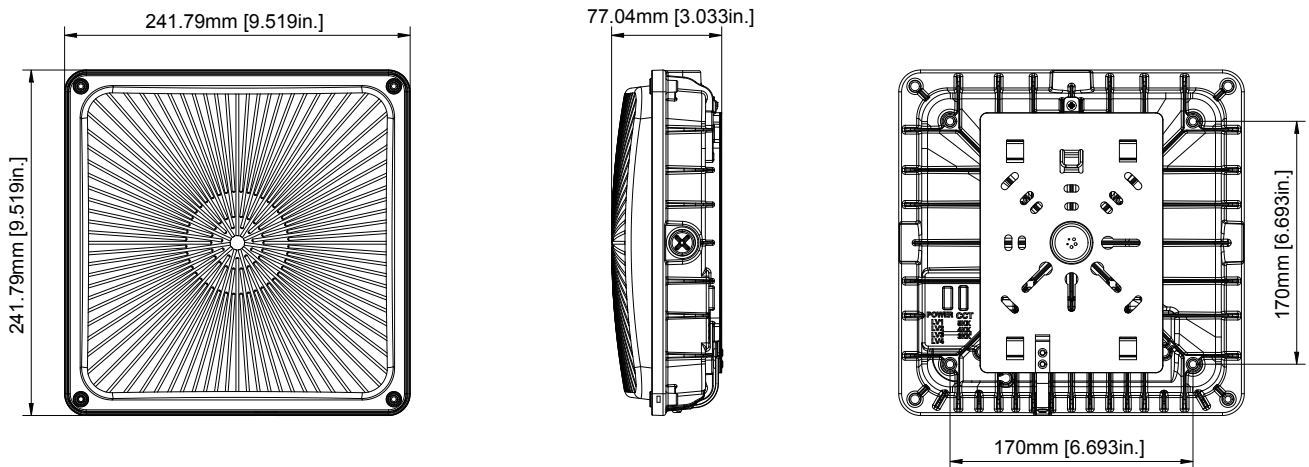
ELECTRICAL DATA

Number Of Drivers	Driver Current (mA)	Nominal Power (W)	INPUT VOLTAGE (V)	CURRENT (Amps)
1	900	60	120	0.50
		60	208	0.29
		60	240	0.25
		60	277	0.22
		60	347	0.17

DIMENSIONS

unit: mm/inch

Net Weight: 3.88 lbs



ORDERING GUIDE

Example: MCP07 60W 27V DDK Y Y Y Y Y

Fixture Type	Wattage	Voltage	CCT	Finish	Photocell (Option)	Sensor (Option)	Emergency Battery (Option)	Surge Protector(Option)	CCT and Power Adjustable	Internal Code
<input type="checkbox"/>	<input type="checkbox"/>	<input type="checkbox"/>	<input type="checkbox"/>	<input type="checkbox"/>	<input type="checkbox"/>	<input type="checkbox"/>	<input type="checkbox"/>	<input type="checkbox"/>	<input type="checkbox"/>	<input type="checkbox"/>
MCP07 Canopy Series	60 60W	27V 120-277V 34V 120-347V	DDK¹ Adjustable color temperature	D Dark Bronze B Black W White	P With Photocell Blank Without Photocell	M With Sensor Blank Without Sensor	B² Emergency Battery Blank Without Emergency Battery	S With Surge Protector Blank Without Surge Protector	AD¹ With Adjustment Dial Blank Without Adjustment Dial	Blank Alphanumeric

Note: 1. CCT and power adjustable.
2. Battery only suitable for 120-277V.