



# LED OUTDOOR WALL SCONCE

► **DESIGN** - LED OUTDOOR WALL SCONCE has a modern, multipurpose design and a stylish look with efficient lighting. Durable housing resistant to rust and impact provides many years of service. The UV resistant PMMA lens with a 125° beam angle grants you even light distribution. It is designed to operate on 120V circuits.

► **PHOTOCELL** - The built-in Dusk to Dawn Photocell will automatically turn the fixture on/off depending on the time of day.

► **COLOR SELECTABLE** - You can choose either a 3,000K warm white, 4,000K cool white or 5,000K daylight color temperature.

► **APPLICATION** - The fixture is rated for Wet Locations, making it perfect for indoor and outdoor projects such as decks, front doors, porches, patios, corridors, walkways, or any other common areas.

► **ADVANTAGES** - With a lifespan of 50,000 hours, these fixtures are made to last decades under normal operation! ASD provides a 5-year limited warranty along with ETL certification to guarantee top quality products and safety!

Catalog number	
Notes	
Type	



Finish:  White  Bronze  Black

Model	Size	Watts	Voitage	Dimmable	Lumens	CCT	Finish	Dimensions (LxWxH)	Option
ASD-OLWS-23-8D12CC-WH	8 inch	12W	120 V	TRIAC	up to 909 lm	3CCT (3,000/4,000/5,000 K)	White	6" x 3-1/8" x 8"	-
ASD-OLWS-23-8D12CC-BZ	8 inch	12W	120 V	TRIAC	up to 909 lm	3CCT (3,000/4,000/5,000 K)	Oil rubbed bronze	6" x 3-1/8" x 8"	-
ASD-OLWS-23-8D12CC-BK	8 inch	12W	120 V	TRIAC	up to 909 lm	3CCT (3,000/4,000/5,000 K)	Black	6" x 3-1/8" x 8"	-
ASD-OLWS-23-14D20CC-WH	14 inch	20W	120 V	TRIAC	up to 1,909 lm	3CCT (3,000/4,000/5,000 K)	White	6" x 3-1/8" x 14"	-
ASD-OLWS-23-14D20CC-BZ	14 inch	20W	120 V	TRIAC	up to 1,909 lm	3CCT (3,000/4,000/5,000 K)	Oil rubbed bronze	6" x 3-1/8" x 14"	-
ASD-OLWS-23-14D20CC-BK	14 inch	20W	120 V	TRIAC	up to 1,909 lm	3CCT (3,000/4,000/5,000 K)	Black	6" x 3-1/8" x 14"	-
<b>OLWS-23-PC WITH PHOTOCELL</b>									
ASD-OLWS-23-14N20CC-PC-BZ	14 inch	20W	120 V	-	up to 1,909 lm	3CCT (3,000/4,000/5,000 K)	Oil rubbed bronze	6" x 3-1/8" x 14-5/8"	Photocell
ASD-OLWS-23-14N20CC-PC-BK	14 inch	20W	120 V	-	up to 1,909 lm	3CCT (3,000/4,000/5,000 K)	Black	6" x 3-1/8" x 14-5/8"	Photocell

For detailed luminous flux information please refer to Annex, page 3.

## ORDERING INFORMATION

Model	UPC	Pcs. per carton	Carton size	Carton weight	GTIN 14
ASD-OLWS-23-8D12CC-WH	810050737784	4	13.2" x 7.3" x 9.1"	10.6 lbs	10810050737781
ASD-OLWS-23-8D12CC-BZ	810050737777	4	13.2" x 7.3" x 9.1"	10.6 lbs	10810050737774
ASD-OLWS-23-8D12CC-BK	810050738842	4	13.2" x 7.3" x 9.1"	10.6 lbs	10810050738849
ASD-OLWS-23-14D20CC-WH	810050737791	4	13.2" x 7.3" x 15"	13.2 lbs	10810050737798
ASD-OLWS-23-14D20CC-BZ	810050736442	4	13.2" x 7.3" x 15"	13.2 lbs	30810050736443
ASD-OLWS-23-14D20CC-BK	810050738859	4	13.2" x 7.3" x 15"	13.2 lbs	10810050738856
<b>OLWS-23-PC WITH PHOTOCELL</b>					
ASD-OLWS-23-14N20CC-PC-BZ	810050736756	4	13.2" x 7.3" x 15.8"	13.6 lbs	30810050736757
ASD-OLWS-23-14N20CC-PC-BK	810128110532	4	13.2" x 7.3" x 15.8"	13.6 lbs	10810128110539

For most up-to-date spec sheets please refer to [asd-lighting.com](http://asd-lighting.com)



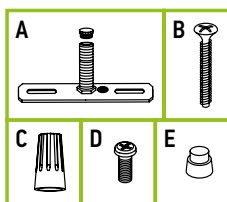
# LED OUTDOOR WALL SCONCE

## PRODUCT SPECIFICATIONS:

Construction & Materials		Electrical system				
Housing	Aluminium	Input voltage	120 V			
Lens	Acrylic	Max input current	0.185 A	for 8 inch models: 0.11 A		
Finish	White, Oil rubbed bronze, Black	Inrush current (Action time)	0.16 A (0.1 S)	for 8 inch models: 0.1 A (0.1 S)		
Weight	for 8" models: 1.9 lbs (0.9 kg)	Off state power	0W			
	for 14" models: 2.7 lbs (1.2 kg)	Power consumption	20W	for 8 inch models: 12W		
	for PC models: 2.8 lbs (1.3 kg)	Power factor	> 0.9			
Environmental system		Output voltage	30 V	for 8 inch models: 33 V		
Work environment	Suitable for Wet Locations	Max output current	0.58 A	for 8 inch models: 0.3 A		
Operating temperature	-40°F to 113°F (-40°C to 45°C)	Surge protection DM/CM	1.25 kV / 1.25 kV			
	for PC models: -4°F to 113°F (-20°C to 45°C)	Dimming compatible controls				
L-70 Life	> 50,000 hrs	Brand	Lutron	Leviton		
Optical system		Models	MACL-153MLH-WH	DVCL-153PR	R02-DW6HD-2RW	DSL06
Color temperature	3CCT switch (3,000/4,000/5,000 K), 3,000 K by default		STCL-153PH-WH	P-PKG1W	R00-RNL06-0TW	
CRI	> 80		PD-6WCL-WH-R		R68-06674-P0T	
Regular and voluntary certifications						
5-year limited warranty	cETLus certified 4001256					

## PACKAGE CONTENTS:

Description	Q-ty
LED Outdoor Wall Sconce	1
Crossbar (A)	1
Mounting screw (B)	2
Wire nut (C)	3
Black screw (D)	4
Photocell cap (E) only for PC models	1
Box	1



## BUILT-IN PHOTOCELL INFORMATION

Specifications	
Light level to turn ON	30 ~ 150 lux (2.8 - 14 fc)
Light level to turn OFF	200 ~ 800 lux (18.6-74.4 fc)
Operating temperature	-4°F to 122°F (-20°C to 50°C)

The dusk-to-dawn sensor automatically turns the fixture off during daylight hours.

## INSTALLATION GUIDE

### IMPORTANT SAFETY INFORMATION:

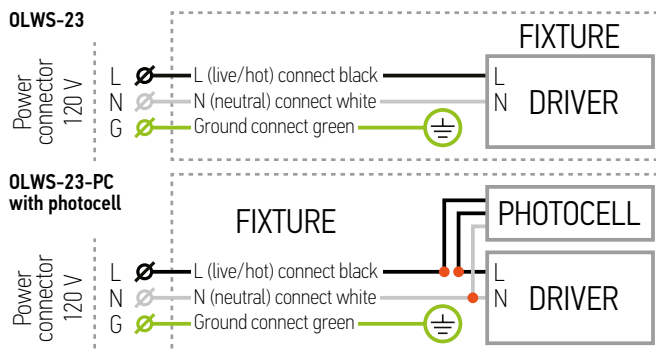
Please read all the instructions below before installation.

- ▶ Make sure that the supply voltage corresponds to the rated product voltage.
- ▶ The product must be installed by a qualified electrician in accordance with the National Electrical Code and corresponding local codes.
- ▶ If the product is damaged, do not use it.

### ⚠ WARNING

**RISK OF PERSONAL INJURY – READ and follow all WARNINGS and installation instructions.** Keep or give to the owner for future reference.  
**Risk of cuts:** Wear gloves to prevent cuts or abrasions when removing from carton, handling, installing, and maintaining this product.  
**Risk of electric shock:** This product must be installed in accordance with the applicable installation code by a person familiar with the construction and operation of the product and the hazards involved.  
**Risk of Fire:** Minimum 194°F supply conductors. Consult a qualified electrician to ensure correct branch circuit conductor.  
 ASD® assumes no responsibility for claims arising out of improper or careless installation or handling of this product.

### ELECTRICAL SCHEMATIC DIAGRAM:



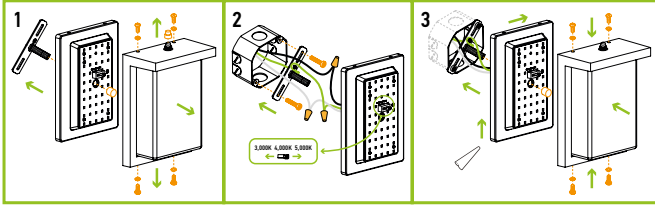
For most up-to-date spec sheets please refer to [asd-lighting.com](http://asd-lighting.com)



# LED OUTDOOR WALL SCONCE

## INSTALLATION STEPS:

1. Remove the lens from the fixture body. In models with photocell option remove the photocell cap to make the dusk-to-dawn sensor operate.
2. Attach the crossbar to the outlet box using mounting screws. Place the fixture body over the outlet box onto the mounting nipple and adjust it by tightening inward or out from the mounting bracket. Secure the fixture body position with cap nut. Connect the wires: Black to Black, White to White, Green to Green. Secure the connection with wire nuts. Choose needed color temperature by adjusting the switch position.
3. Reattach the lens to the fixture body using 4 screws. For outdoor locations please use silicone (not included) shown in the picture below.



\* This fixture is not rated for heavy salt water exposure or high salt content in the air. It may cause parts of the fixture to Rust. Will void the warranty of the fixture if installed in a coastal area.

## ANNEX 1

Model	Watts	3,000 K	4,000 K	5,000 K
ASD-OLWS-23-8D12CC-WH ASD-OLWS-23-8D12CC-BZ ASD-OLWS-23-8D12CC-BK	12W	805 lm	909 lm	842 lm
ASD-OLWS-23-14D20CC-WH ASD-OLWS-23-14D20CC-BZ ASD-OLWS-23-14D20CC-BK ASD-OLWS-23-14N20CC-PC-BZ ASD-OLWS-23-14N20CC-PC-BK	20W	1,703 lm	1,909 lm	1,758 lm

For most up-to-date spec sheets please refer to [asd-lighting.com](http://asd-lighting.com)