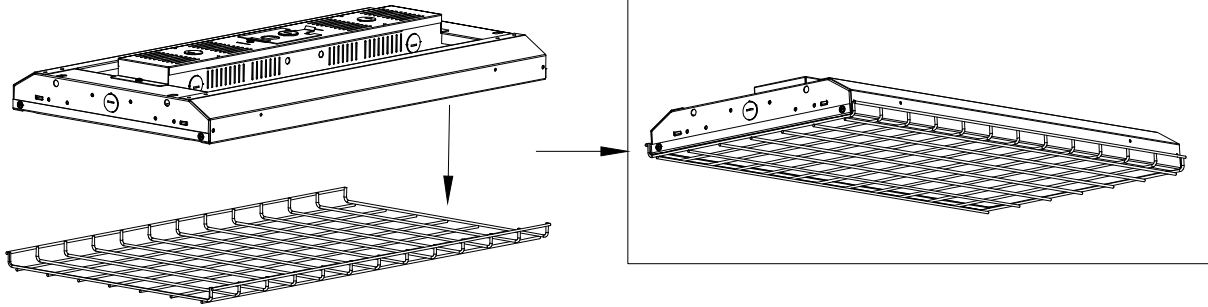
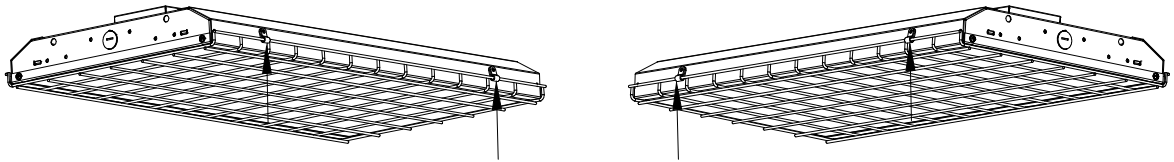


INSTALLATION INSTRUCTIONS FOR LED LINEAR HIGH BAY WIRE GUARD

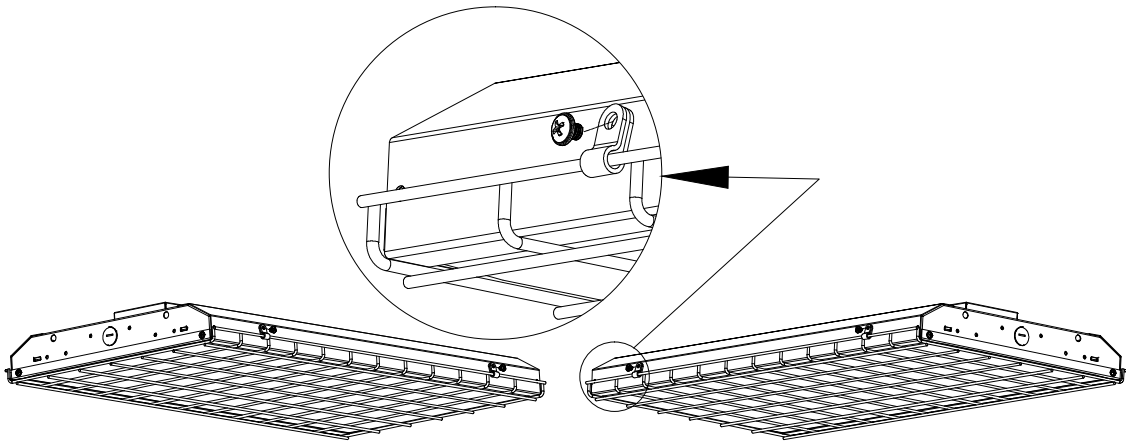
1. Put the wire guard into the light, please note that the wire guard should be aligned with the ends of the lamp.



2. Fit the 4pcs buckle into the wire guard, please note that the buckle hole position is flush with the light body.



3. Fasten the lamp body and the wire guard in turn with the 4pcs M4 screws.



4. Impression drawing after installation.

