

ADJUSTABLE LINEAR HIGHBAY CAGE

Model: 65-652, 65-653

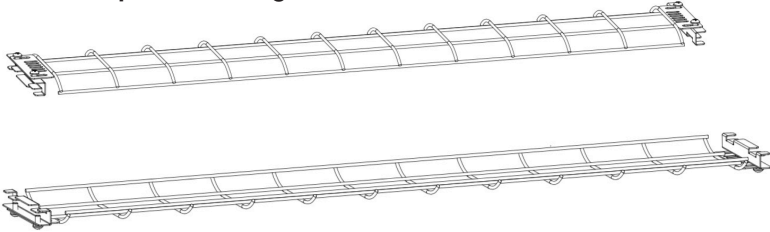


INSTALLATION INSTRUCTIONS

IMPORTANT: Read before installing fixture. Retain for future reference.

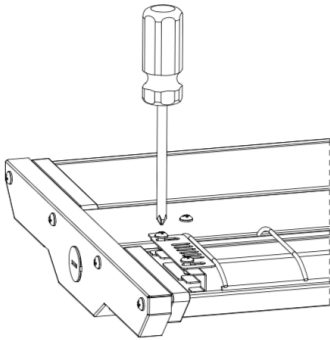
FIXTURE

Each fixture requires two cages.

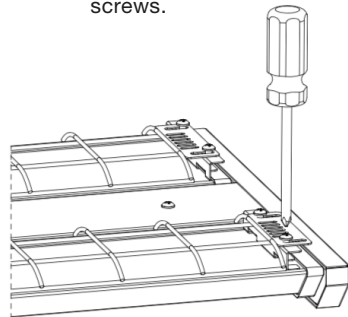


INSTALLATION

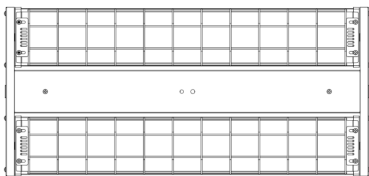
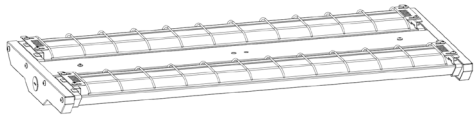
STEP 1 - Align cage with the fixture module, tighten the screws.



STEP 2 - Recess the metal plate into the fixture end cap, tighten screws.



STEP 3 - Repeat step one and step two for second cage.



Completed fixture with cages.