

# J1 & J2 & L2 Series Sports Light

## Brief Description

J1 & J2 & L2 series LED sports light produces ideal light distribution with the highest reliability level - incredibly high over 93% total efficiency, while saving up to 80% energy compared with traditional lighting. With die-cast aluminum(AL1070) housing, rugged and weather-tight design, this durable luminaire can withstand the most demanding elements, ideal for use in high vibration areas and extreme outdoor conditions.

## Application

Suitable for use as flood and area lighting:  
Sporting facility, stadium, container loading area, shipping yard, high mast roadway, airport, industrial lighting, parking lot, railway, port, public square.

## Key Features

- RGB/RGBW optional.
- External power supply and built-in power supply are optional.
- DALI, DMX512 wireless control.
- Adjustable output current (AOC).
- Die-cast aluminum housing with polyester powder coated finish, excellent heat dissipation and corrosion resistance.
- Laser aiming device (optional) provides precise control in angling and aiming to exact optimal position.
- Special circuit design for each module part to work separately.
- High-quality optical material and various light distribution angles deliver ideal illumination and visual comfort.

### J1 J2 series



Built-in power supply

External power supply



Built-in power supply

External power supply

### L2 series

Model Number	SP-J1xxxW XUYZCC				SP-J2xxxW XUYZCC				SP-L2xxxW XUYZCC				
Wattage	300W	400W	500W	600W	720W	800W	1000W	1200W	1000W	1200W	1500W	1600W	1800W
Efficiency (CRI:Ra70)	160lm/W	170lm/W	155lm/W	155lm/W	165lm/W	160lm/W	150lm/W	135lm/W	165lm/W	155lm/W	145lm/W	140lm/W	135lm/W
Efficiency (CRI:Ra80)	155lm/W	165lm/W	150lm/W	150lm/W	160lm/W	155lm/W	145lm/W	130lm/W	160lm/W	150lm/W	140lm/W	135lm/W	130lm/W
Power Supply	Inventronics/Sosen												
Input Voltage	AC120-277V/120-347V/277-480V, 50/60Hz												
Power Factor	0.95												
THD	<15%												
LED Type	3737(15°); 5050(other beam angles )								3737(15°); 3030(other beam angles )				
CCT	2700K-6500K/RGB/RGBW												
Intelligent Control	DMX512/DALI wireless control												
CRI	Ra70(Standard); Ra80(Optional)												
Beam Angle	15°/20°/30°/45°/60°				15°/20°/30°/40°/60°/80°				15°/30°/45°				
Lifespan	50,000 Hours												
Ingress Protection	IP66												
IK Rating	IK09												
Surge Protection	10kV (Standard) /20kV (Optional)												
Ambient Temp.	-40°C to 50°C (-40°F to 122°F)												
Housing	Cold Forging Aluminum (Al1070)												
Lens Material	Anti-UV PC Optical Material												

\* The CRI value of 3737 led chip(15°) is limited to Ra70.

# J1 & J2 & L2 Series Sports Light

## Ordering Guide

Product Category	Product Series	Wattage	Dimming Option	CCT	Beam Angle	Sensor Option	Input Voltage	Driver Option*
SP	J1/J2/L2	xxxW	X	U	Y	Z	CC	I
Sports Light	J1 series J2 series L2 series	J1:300/400/500/600W J2:720/800/1000/1200W L2: 1000/1200/1500/ 1600/1800W	D: Dimmable N: Non-dimmable	22 = 2200K 27 = 2700K 30 = 3000K 40 = 4000K 50 = 5000K 57 = 5700K 60 = 6000K 65 = 6500K RGBW RGB	15=15° 20=20° 30=30° 40=40° 45=45° 60=60° 80=80°	N: without sensor G: with sensor	120-277V 120-347V 277-480V	1: with built-in driver 2: with external driver

Example: SP-J1300W D5020N(120-277V)2

SP	J1	300W	D	50	20	N	(120-277V)	2
Sports Light	J1 Series	300W	Dimmable	5000K	20°	no sensor	120-277V	external driver

\*: Suffix not within nomenclature as per ETL Certification, for marketing purpose only

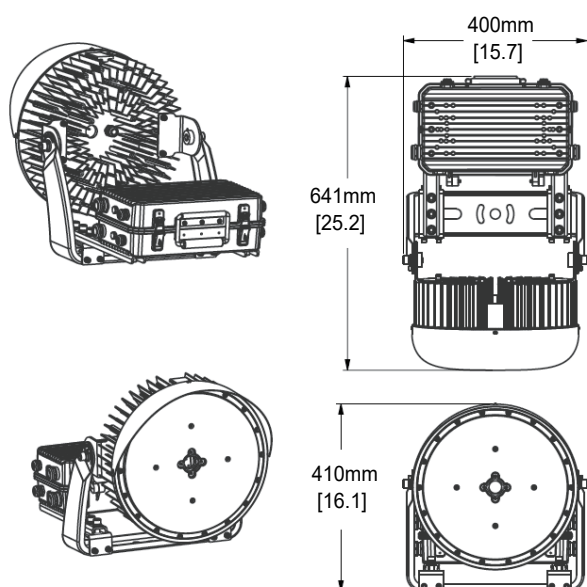
## Packing Information

Model	Qty/Carton	Package Dimension (LxWxH)	Net Weight	Gross Weight
SP-J1xxxW UXYZCC1	1 pc	515x415x400mm (20.27x16.34x15.75inch)	16.36kg (36.07lbs)	18.16kg (40.03lbs)
SP-J2xxxW UXYZCC1	1 pc	635x535x465mm (25.00x21.06x18.31inch)	25.79kg (56.86lbs)	28.88kg (63.67lbs)
SP-L2xxxW UXYZCC1	1 pc	820x750x525mm (32.28x29.53x20.67inch)	51.96kg (114.55lbs)	57.47kg (126.70lbs)
SP-J1xxxW UXYZCC2	1 pc	535x415x330mm (21.06x16.34x12.99inch)	10.96kg (24.16lbs)	12.98kg (28.61lbs)
SP-J2xxxW UXYZCC2	1 pc	635x535x340mm (25.00x21.06x13.38inch)	14.78kg (32.58lbs)	18.58kg (40.96lbs)
SP-L2xxxW UXYZCC2	1 pc	820x750x400mm (32.28x29.53x15.75inch)	33.16kg (73.10lbs)	39.62kg (87.35lbs)
External Power Supply (for 300W/400W/500W/600W/ 720W/800W/900W/1000W)	1 pc	535x325x210mm (21.06x12.79x8.27inch)	6.6kg (14.55lbs)	7.8kg (17.19lbs)
External Power Supply (for 1100W/1200W/1500W/ 1600W/1800W)	1 pc	550x190x170mm (21.65x7.48x6.69inch)	6.1kg (13.45lbs)	7.0kg (15.43lbs)

## Dimensions Unit: mm [inch]

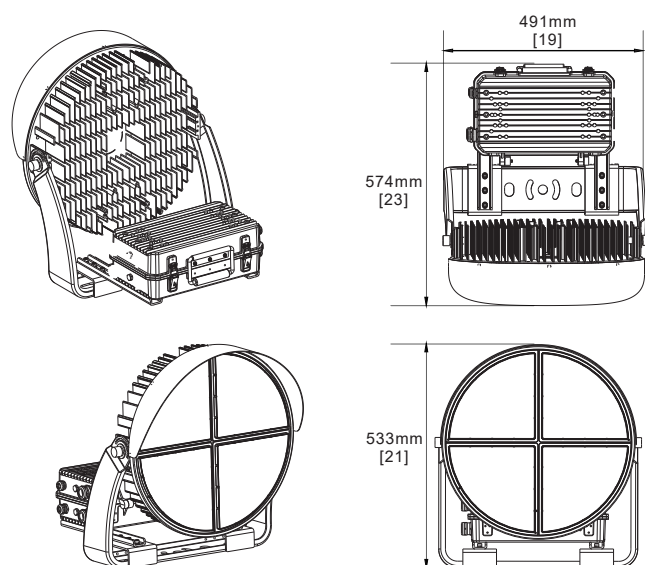
With External Power Supply:

J1: 300-600W



With External Power Supply:

J2: 720-1200W

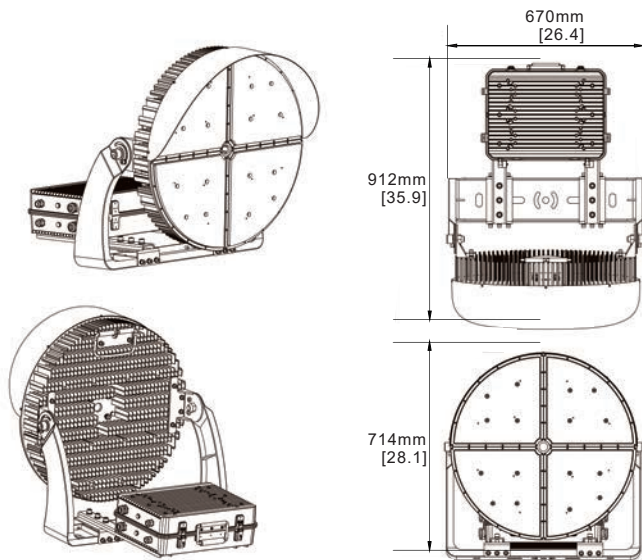


# J1 & J2 & L2 Series Sports Light

## Dimensions Unit: mm [inch]

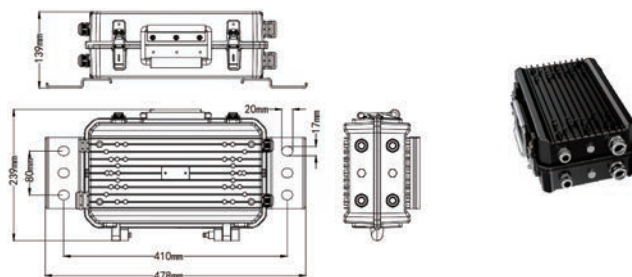
With External Power Supply:

L2: 1000-1800W

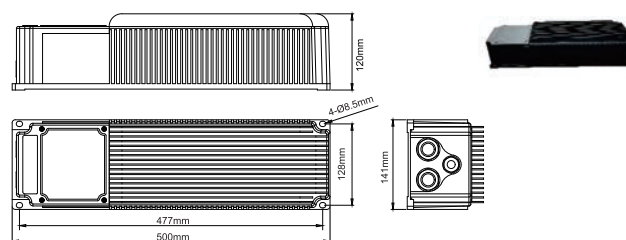


External Power Supply

for 300W/400W/500W/600W/720W/800W/900W/1000W:

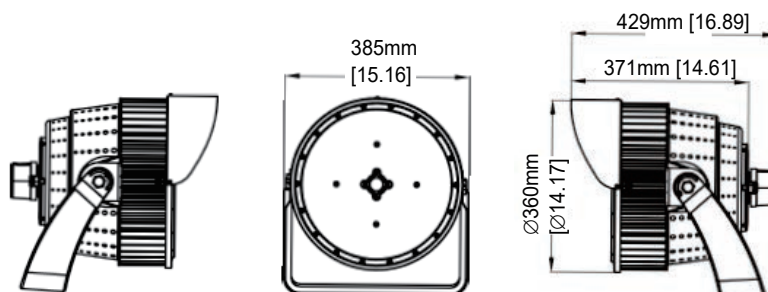


for 1100W/1200W/1500W/1600W/1800W:



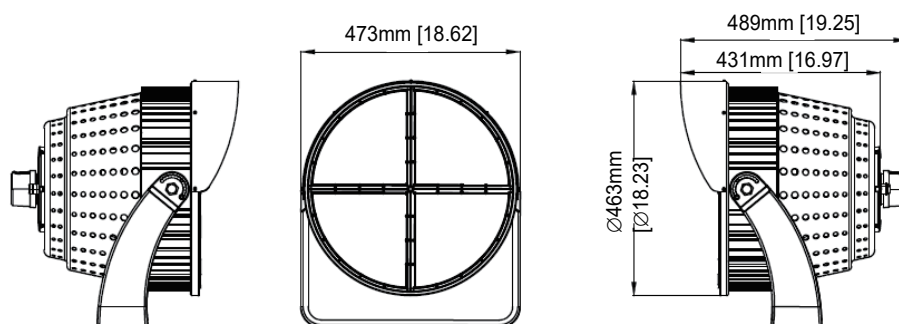
With Built-in Power Supply:

J1: 300-600W



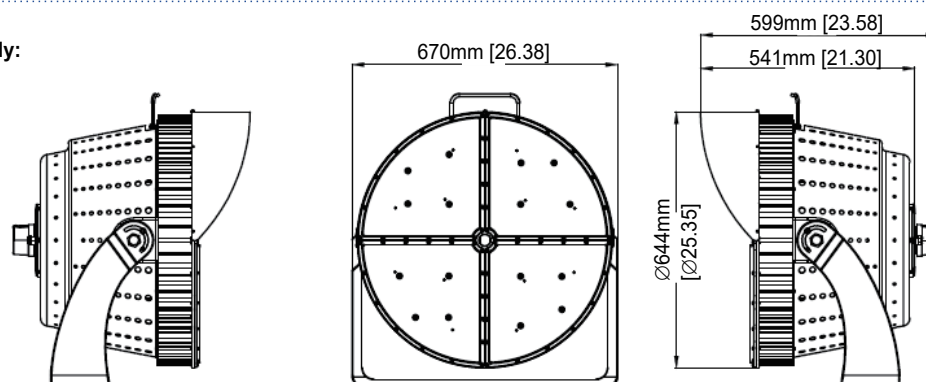
With Built-in Power Supply:

J2: 720-1200W



With Built-in Power Supply:

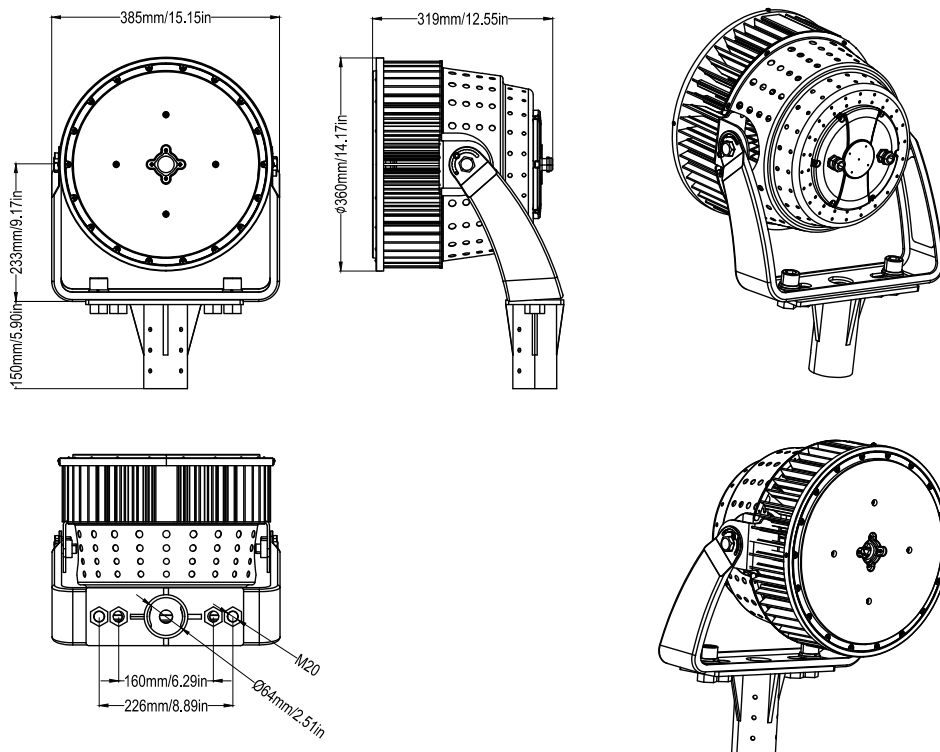
L2: 1000-1800W



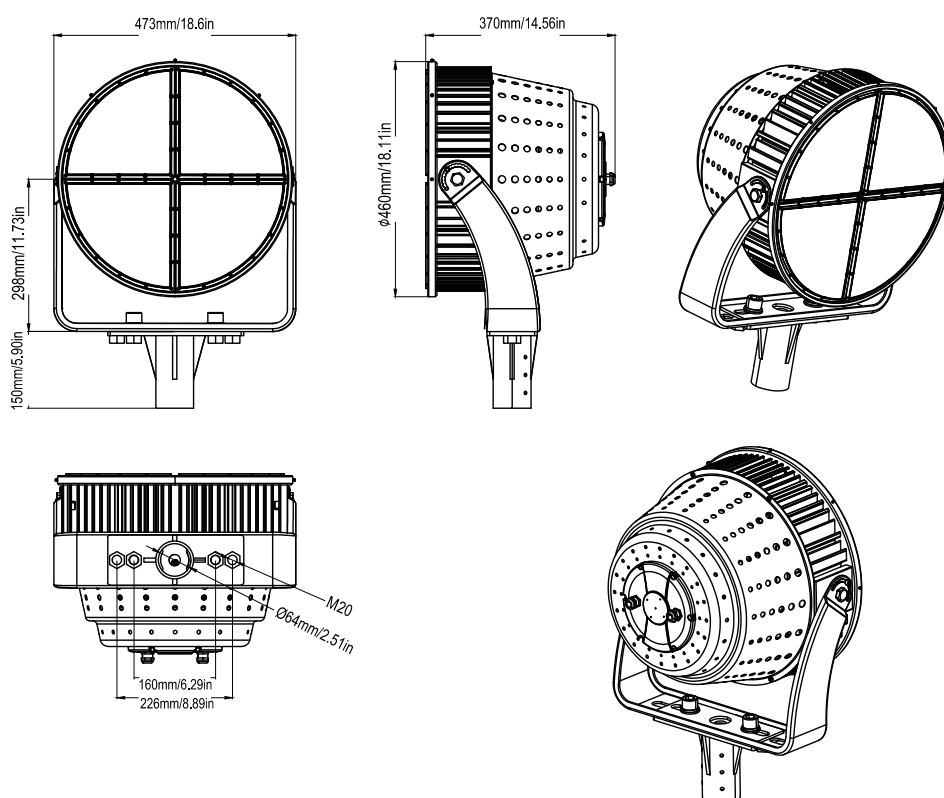
# J1 & J2 & L2 Series Sports Light

## Dimensions with Sleeve Bracket (without Visor)

J1: 300-600W



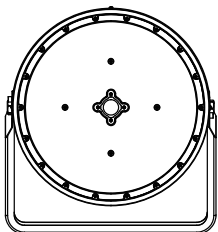
J2: 720-1200W



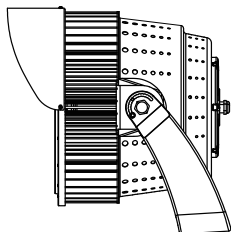
**J1 & J2 & L2 Series Sports Light**

**EPA (with Visor)**

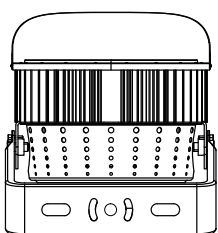
**J1: 300-600W**



EPA: 1.25

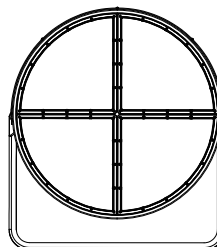


EPA: 1.16

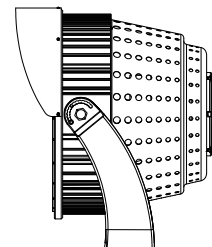


EPA: 1.57

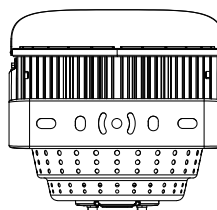
**J2: 720-1200W**



EPA: 2.01

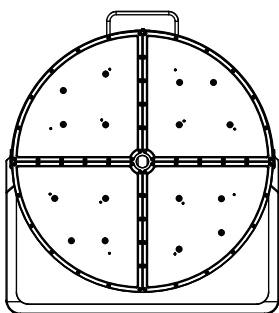


EPA: 1.72

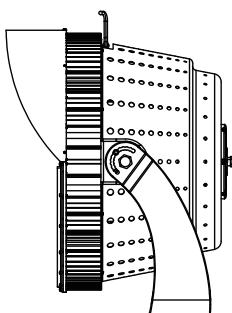


EPA: 1.97

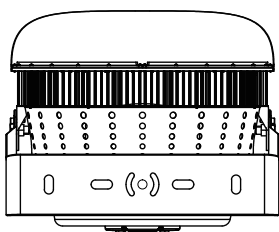
**L2: 1000-1800W**



EPA: 4.03



EPA: 2.79



EPA: 3.59