

# TRI-LINE LED Fixture

## SL913T3 INSTALLATION INSTRUCTIONS

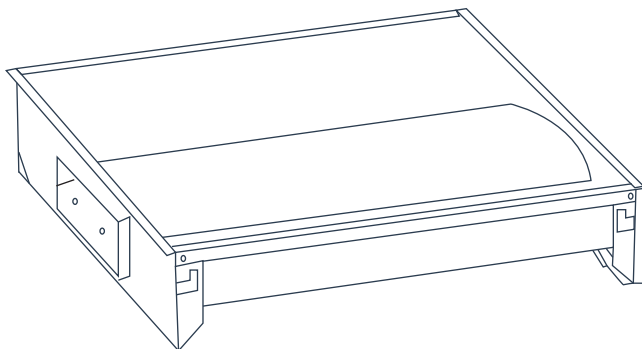
### SAFETY WARNING READ CAREFULLY



- Be certain electrical power is OFF before and during installation and maintenance.
- Risk of fire or electric shock. Installation requires knowledge of electrical systems. For install by qualified electrician only. Do not attempt installation if not qualified.
- To prevent wiring damage or abrasion, do not expose wiring to edges of sheet metal or other sharp objects.

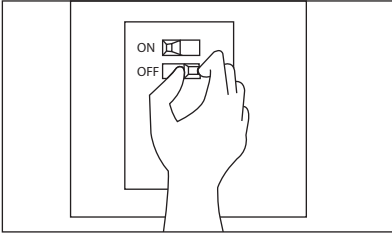
### MAINTENANCE

Perform visual, electrical, and mechanical inspections on a regular basis. The environment and frequency of use should determine this. However, it is recommended that checks be made at least once per year. After turning off the main power, check the electrical system to ensure all connections are clean and tight. Mechanically check that all parts are properly assembled.

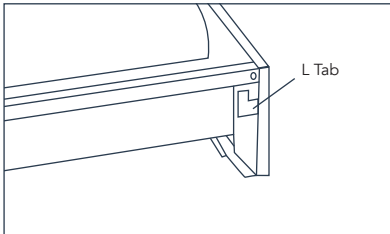


## INSTRUCTIONS

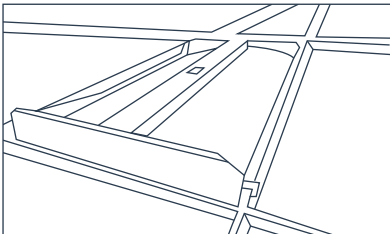
1. Turn off all electrical power before attempting installation.



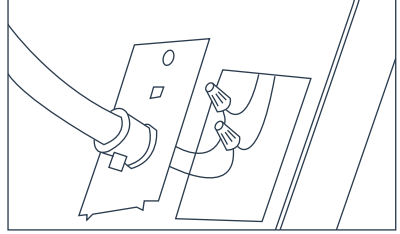
2. Remove existing fluorescent fixture if applicable. Pull L tabs out on each corner.



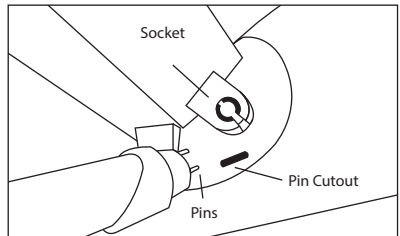
3. Place Troffer in ceiling making sure each L tab is securely hooked on the T bar grid.



4. Connect line and neutral wires. Connect ground wiring. Replace conduit plate after wiring.



5. Carefully remove diffuser. Slide pins into pin cutout to allow room for installation. Slide each end into the socket. Twist tube to lock them in. Use with single-end powered LED tubes only.



6. Replace diffuser. Return power back at the source and installation is complete.

