



MODELS:

SL923FLF-15W; SL923FLF-30W; SL923FLF-50W; SL923FLF-80W; SL923FLF-100W; SL923FLF-150W; SL923FLF-300W

Model number parameter list:

Model	Input Voltage	Power Factor	Watt	Input Current	Weight
SL923FLF-15W	100-277VAC	>.9	15W	0.18A	0.62kg
SL923FLF-30W	100-277VAC		30W	0.35A	1.3kg
SL923FLF-50W	100-277VAC		50W	0.6A	1.9kg
SL923FLF-80W	100-277VAC		80W	0.85A	5kg
SL923FLF-100W	100-277VAC		100W	1.2A	5.4kg
SL923FLF-150W	100-277VAC		150W	1.8A	5.4kg
SL923FLF-300W	100-277VAC		300W	3.5A	10.4kg

1. Introduction

- This LED Flood light uses the latest in solid state lighting technology for long life, low maintenance, and high efficiency.
- An internal power-factor-corrected switch-mode supply allows it to be used from any nominal 100-277V, 60Hz AC supply without any variation in light output.
- Suitable for use in the following locations:
 - Ambient Temp: -20~+40°C
 - Wet Locations

Note: Save these instructions for future reference.

2. Installation

Warning:

To avoid the risk of fire, explosion, or electric shock, this product should be installed, inspected, and maintained by a qualified electrician only, in accordance with all applicable electrical codes.

Warning:

To avoid electric shock: Be certain electrical power is OFF before and during installation and maintenance. Luminaire must be connected to a wiring system with an equipment-grounding conductor.

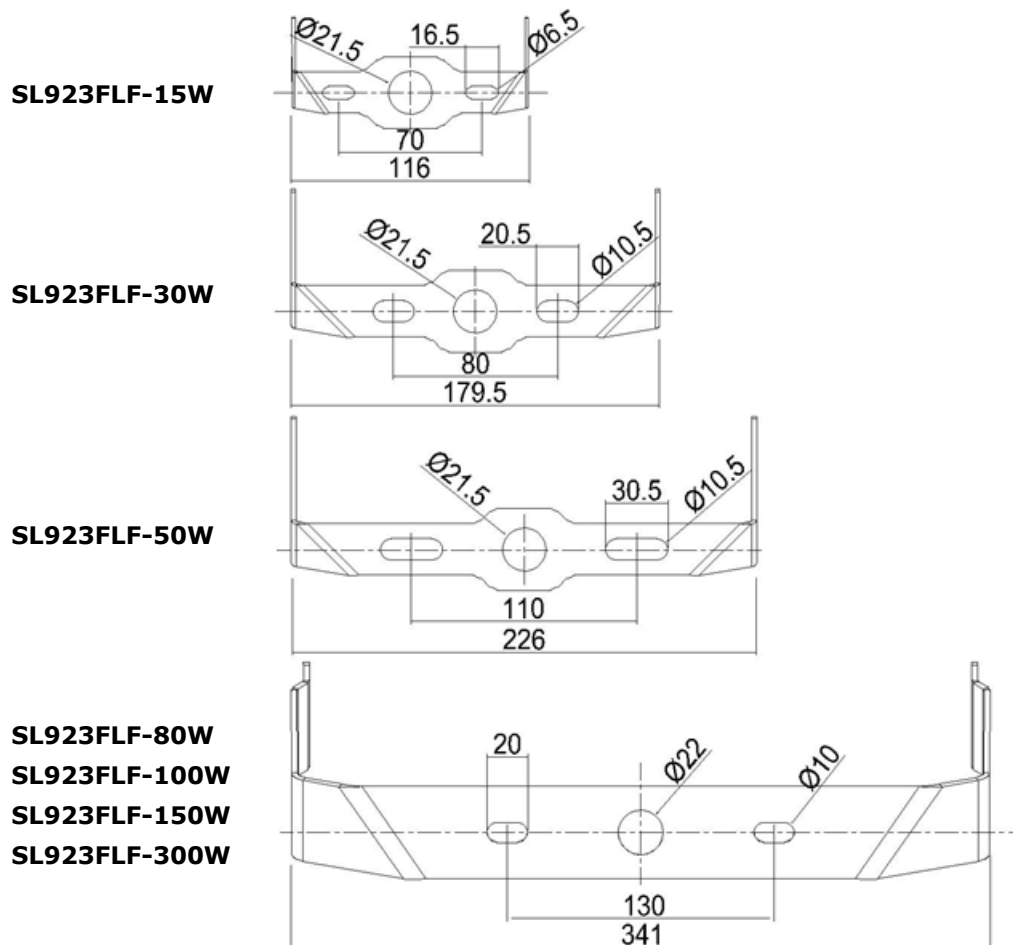
Warning:**To avoid explosion:**

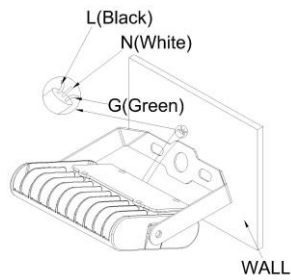
- **Make sure the supply voltage is the same as the rated luminaire voltage.**
- **Do not install where the marked operating temperatures exceed the ignition temperature of the hazardous atmosphere.**
- **Do not operate in ambient temperatures above those indicated on the luminaire nameplate.**
- **Keep lens tightly closed when in operation.**
- **For supply connections use wire rated for at least 90°C**

Installation Steps:

Refer to the following diagrams when installing the fixture. There are nine installation methods, which depending on your model and hardware accessories.

1. Directly fix to mounting surface

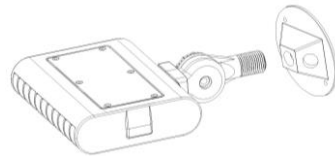




1. Use expansion bolts to secure the fixture on mounting surface.
2. Keep enough wire length to ensure adjusting angle unhindered.

Connect wires into wiring terminal; white wire to "Neutral" terminal, black wire to "Live" terminal, green wire to "Ground" terminal; and fix them with screws.

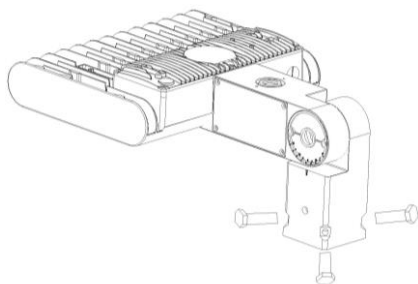
2. Mounting with a knuckle for Models: SL923FLF-15W; SL923FLF-30W; SL923FLF-50W.



Secure service wire or conduit to the wiring compartment cover with 1/2" connector (not provided). Connect white fixture wire to white supply wire, black fixture wire to black supply wire. Service ground should be attached to green ground screw provided. Ground must be properly attached to avoid the risk of electrical shock. Use wire nuts, crimp-on lugs, or other approved devices to connect all wires, make sure connections are secure and that no loose wire strands are sticking out of connectors. Secure wiring compartment cover to fixture. With black and white connections inside the wiring compartment. Use UL and CUL Listed flexible steel waterproof conduit in trade sizes 1/2 and UL and CUL Listed Water-proof outlet box cove.

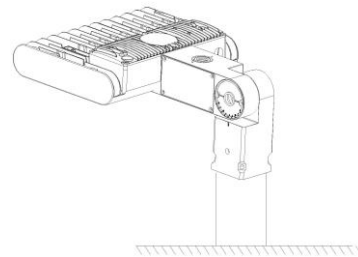
3. Mounting with a Slipfitter for Models: SL923FLF-80W; SL923FLF-100W; SL923FLF-150W; SL923FLF-300W.

Step 1



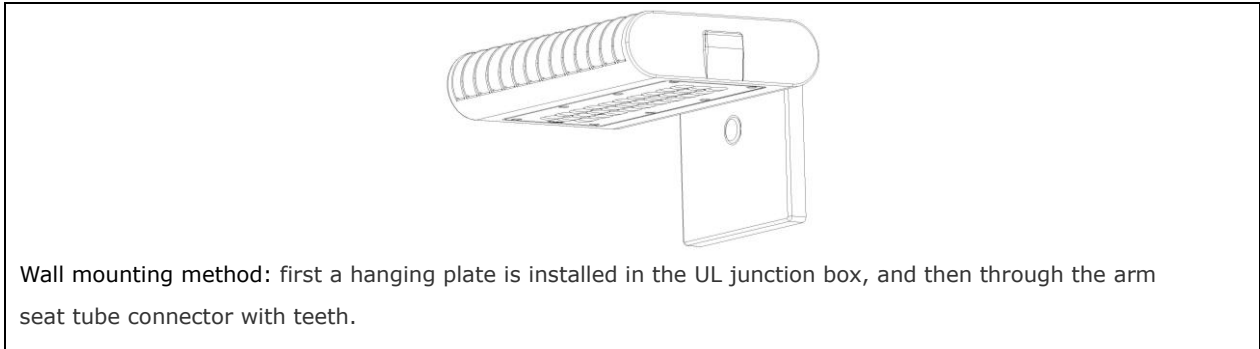
Adjust the fixture orientation by turning the bolt. In the above photo for the rocker installation hole, and for the sensor installation use the hole in the bottom.

Step 2

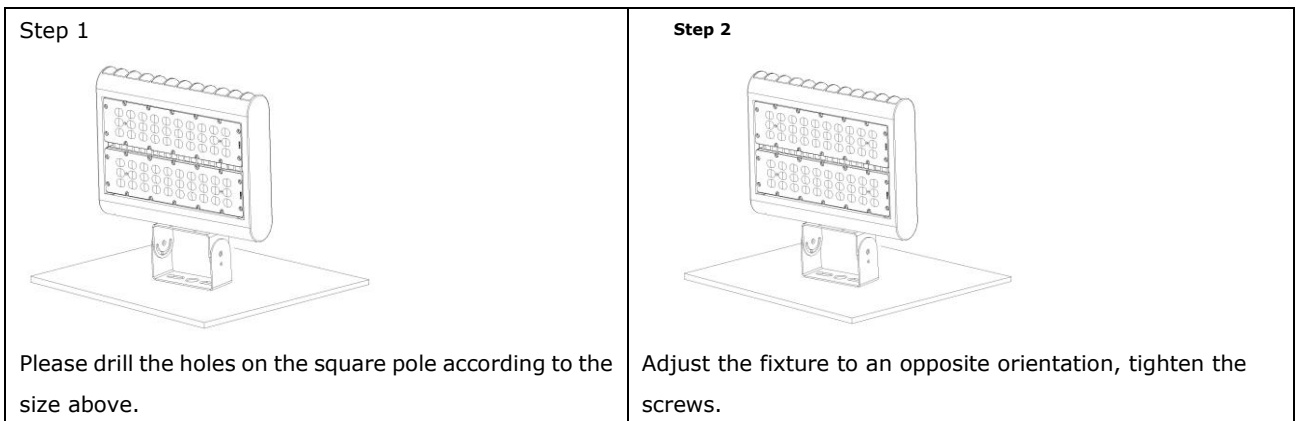


Please use a post of diameter 2.36" for mounting, and tighten with screws. You can open the side cover from the side connection

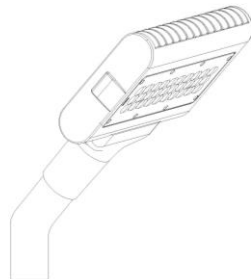
4. Mounting with Wall Mount for Models: SL923FLF-30W; SL923FLF-50W; SL923FLF-80W; SL923FLF-100W; SL923FLF-150W.



5. Mounting with a Trunnion for Models: SL923FLF-80W; SL923FLF-100W; SL923FLF-150W; SL923FLF-300W.

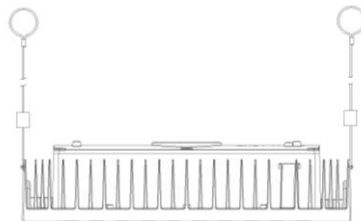


6. Mounting with SP for models: SL923FLF-50W; SL923FLF-80W; SL923FLF-100W; SL923FLF-150W; SL923FLF-300W.



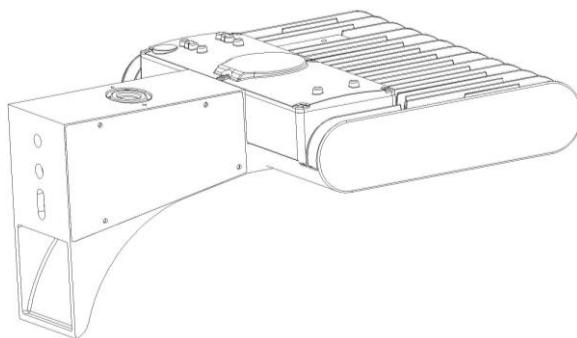
Please use a post of diameter 2.36 " for mounting. Street lamp installation: the lamp set on the lamp post, and then tighten the two locking nuts.

7. Lifting method of mining lamp: SL923FLF-80W; SL923FLF-100W; SL923FLF-150W; SL923FLF-300W.



Use 4 screws to fix 2 wire ropes from the side to the radiator.
Then put the lamp and lamp up.

8. Mounting with Arm for Models: SL923FLF-80W; SL923FLF-100W; SL923FLF-150W; SL923FLF-300W.



Directly with the screw on the lamp post. In the above straight arm has a reserved light installation hole, for the sensor installation hole in the bottom. You can open the side cover from the side connection.

9. Wall mounted installation SL923FLF-80W; SL923FLF-100W; SL923FLF-150W;

The mounting method of the straight arm is added to a wall mounted fixing plate, and the fixing plate is mounted on the wall, and the fixing plate is fixed by a nut.

After installation, please

- Check whether the lighting fixture is firmly in place.
- Check whether wires are connected correctly.
- Finally, turn on the power, and check if the lighting fixture works well. If not, please turn off the power and contact with local dealer.