

STRAITS STREET LIGHT

PID: SL923STF



APPLICATIONS:

- STREET LIGHTING
- ROADWAYS
- LARGE PARKING LOTS

SPECIFICATIONS:

FEATURES

- ADC12 Aluminum heat sink
- Outdoor powder coating
- Aluminum LED board
- Min. starting temperature -40°F (-40°C)
- Max. starting temperature 104°F (40°C)

ENERGY DATA

- Internal Driver: 100-277V
- Power Factor > 0.90
- Total Harmonic Distortion < 20%
- Surge protection 6~10KV

LED MODULES

- LUMILEDS LED chips
- Available Kelvin temperature of 30K, 40K and 50K
- Lens Type II and Type III
- CRI > 70
- 50,000 hour rated life

ADD ONS

- Photocell

CERTIFICATIONS

- UL certified
- LM79 tested
- IP65 Rated
- DLC Premium (excludes 30W)

WARRANTY

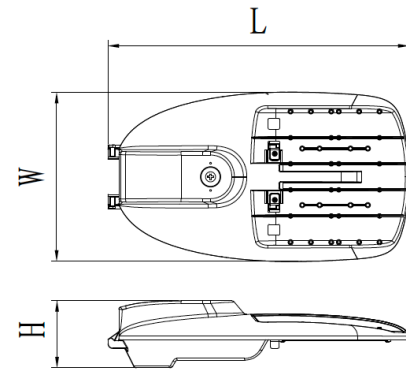
- 5 year warranty

PRODUCT DETAILS

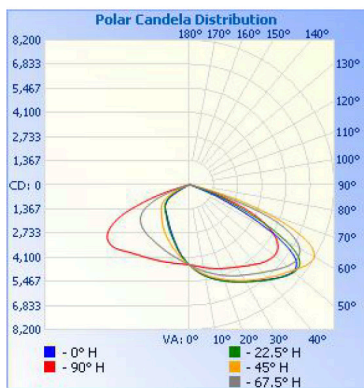
Product	Watts	Input	Lumens ^{1,2}	CCT ¹	Amps	BUG	Dimmable	Lens Type
SL923STF	30W	100-277V	3,900	40K, 50K	.5A	B4-U0-G3	0-10V	Type III
	50W		6,500		.65A			
	80W		10,800		1.0A			
	90W	277-480V	12,500		.5A			Type II
	100W	100-277V	13,500		1.5A			
	150W		21,000		1.65A			
	150W	277-480V	21,500		.64A			Type III
	200W	100-277V	27,500		2.25A			
	200W	277-480V	28,500		1.0A			

PRODUCT DIMENSIONS

Wattage	Length (Inches)	Width (Inches)	Height (Inches)
30W	14.6"	6.8"	3.1"
50W			
80W	18.2"	8.9"	4.6"
90W			
100W			
150W	21.8"	12.2"	4.8"
200W			



LM79 REPORT Results based on 150W



Center Beam fc	Beam Width	
	Left	Right
17.0ft	15.7 ft	31.5 ft 53.3 ft
34.0ft	3.92 fc	62.9 ft 106.5 ft
51.0ft	1.74 fc	94.4 ft 159.8 ft
68.0ft	0.98 fc	125.8 ft 213.0 ft
85.0ft	0.63 fc	157.3 ft 266.3 ft
102.0ft	0.44 fc	188.7 ft 319.6 ft

■ Vert. Spread: 85.5°
■ Horiz. Spread: 114.9°

Zonal Lumen Summary

Zone	Lumens	% Lamp	% Luminaire
0-30	3,849.6	20.3%	20.3%
0-40	6,804.9	35.9%	35.9%
0-60	15,017.7	79.3%	79.3%
60-90	3,918.8	20.7%	20.7%
70-100	730.9	3.9%	3.9%
90-120	0	0%	0%
0-90	18,936.5	100%	100%
90-180	0	0%	0%
0-180	18,936.5	100%	100%

Lumens Per Zone

Zone	Lumens	% Total	Zone	Lumens	% Total
0-10	433.7	2.3%	90-100	0	0%
10-20	1,289.8	6.8%	100-110	0	0%
20-30	2,126.1	11.2%	110-120	0	0%
30-40	2,955.2	15.6%	120-130	0	0%
40-50	3,810.2	20.1%	130-140	0	0%
50-60	4,402.6	23.2%	140-150	0	0%
60-70	3,187.9	16.8%	150-160	0	0%
70-80	677.5	3.6%	160-170	0	0%
80-90	53.4	0.3%	170-180	0	0%

ORDERING GUIDE

ORDER CODE	WATTS	VOLTAGE	CCT	MOUNT TYPE	COLOR	DIMMING	ACCESSORY
SL923STF	30W 50W 80W 90W 100W 150W 200W	SU=100-277V HV=277-480V	30K = 3000K 40K = 4000K 50K = 5000K	SA = Street Arm	WH=White BK=Black BR=Brown YE=Yellow SV=Silver GR=Gray	D = Dimming	P = Photocell

ORDER EXAMPLE: SL923STF-50W-SU-40K-SA-WH-D-P

1. CCT Range complies with ANSI C78.377-2008
2. Rated average life based on engineering testing and probability analysis
3. Lifetime test consistent with IESNA LM80 lumen maintenance procedure
4. Wattage, Lumens, and Lamp Efficacy are dependent upon efficiency of existing ballast.